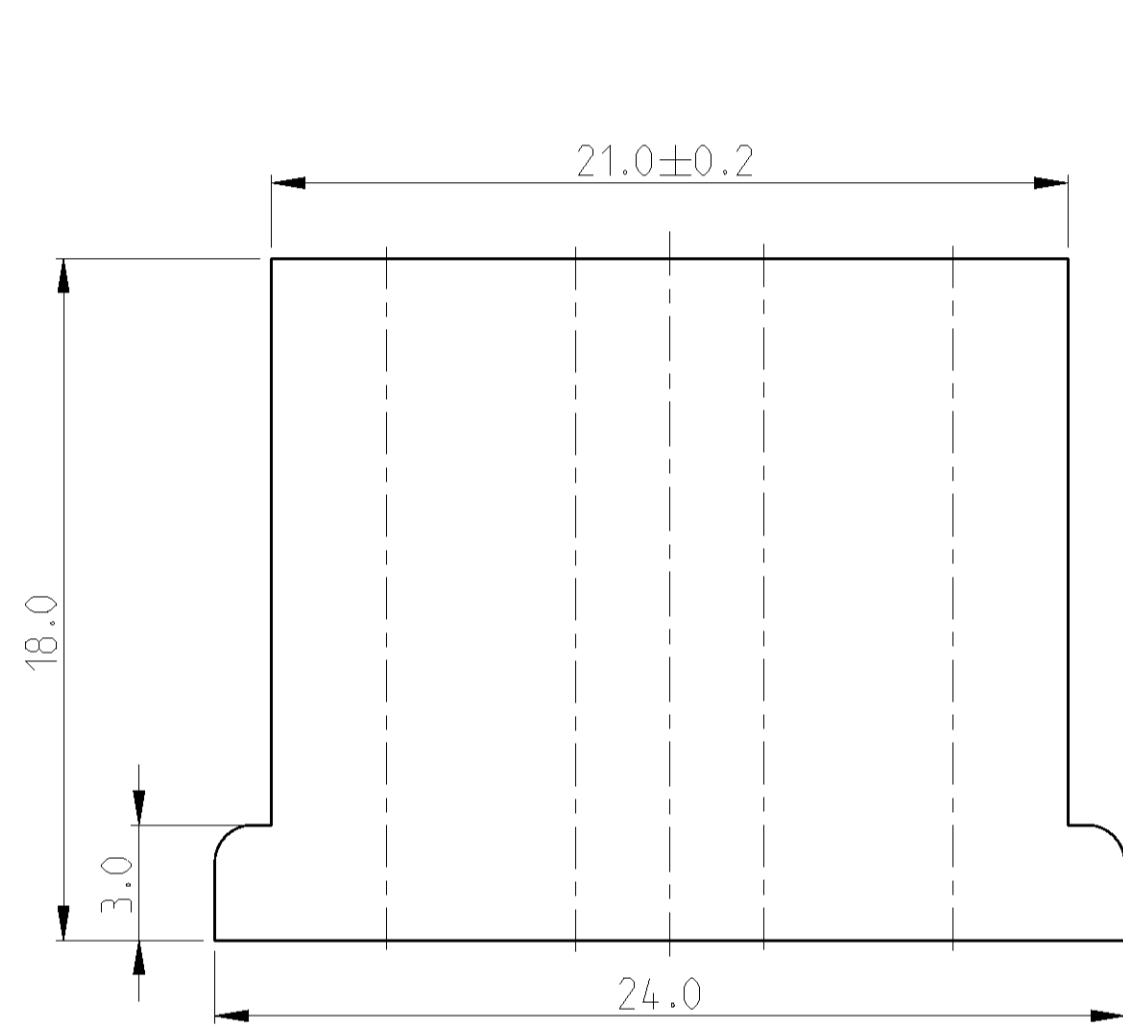
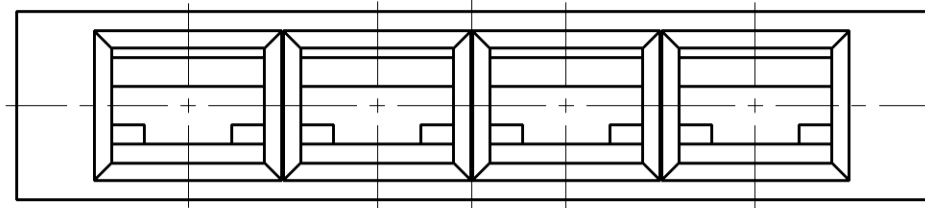
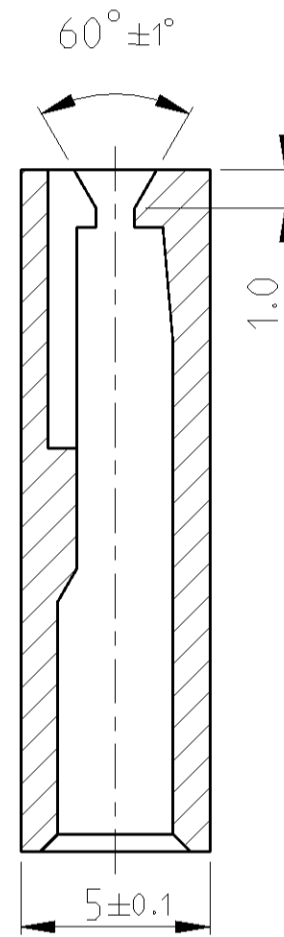


THIS DRAWING IS UNPUBLISHED. RELEASED FOR PUBLICATION 2009
 © COPYRIGHT 2009 ALL RIGHTS RESERVED.

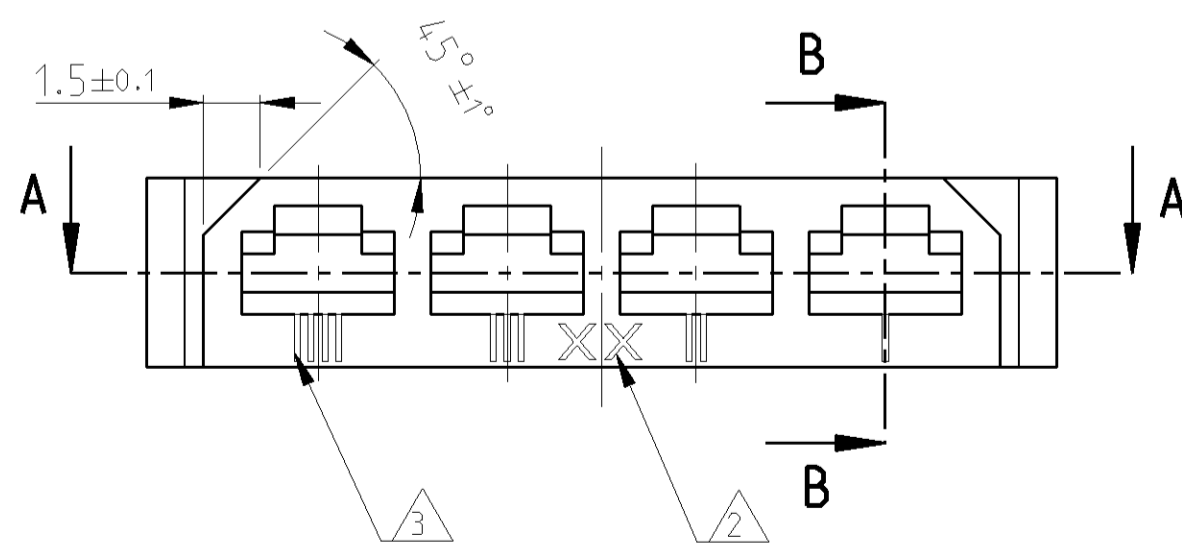
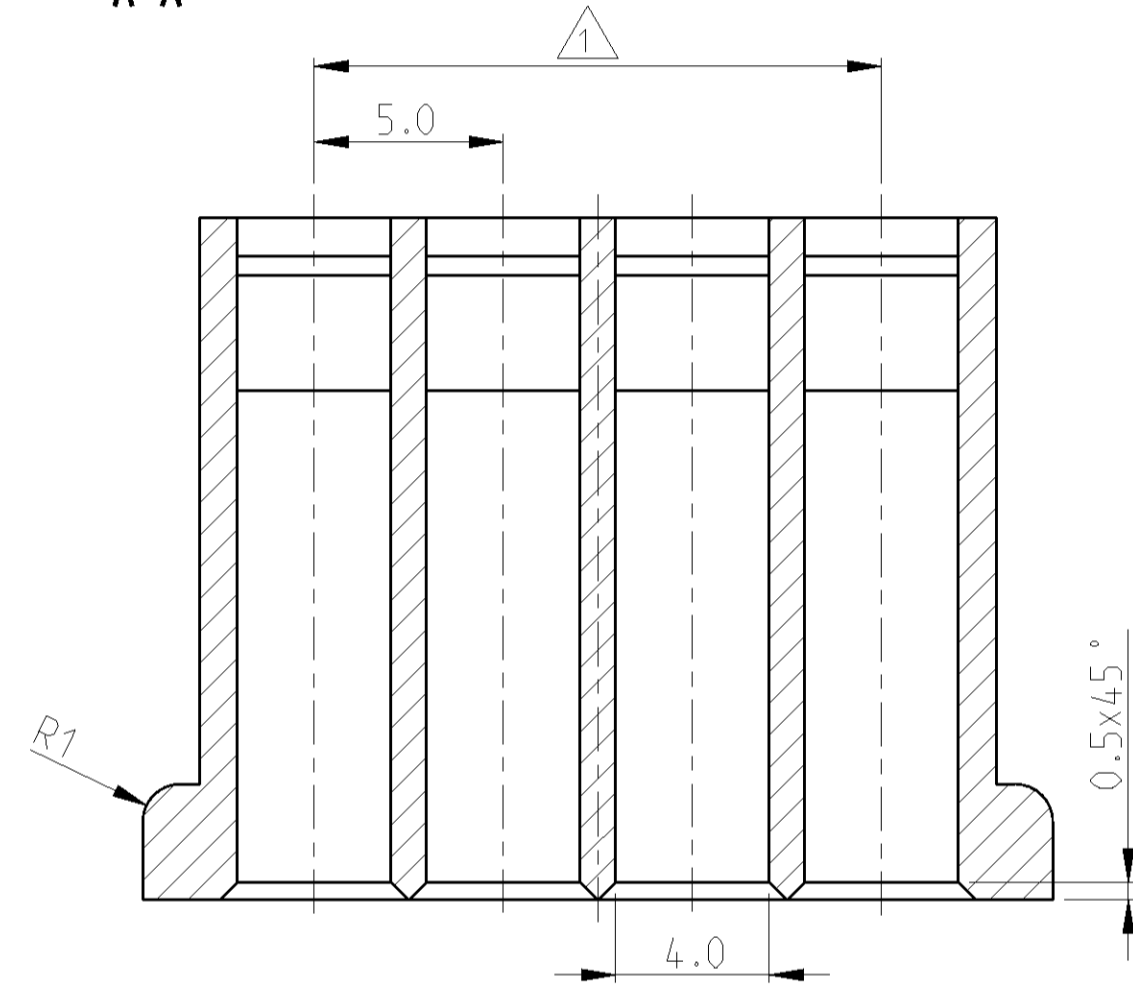
LOC		DIST		REVISIONS			
P	LTR	DESCRIPTION	DATE	DWN	APVD		
A1	-						
B	-						
C	-	Tolerance ± 0.1 was -0.1	23SEP1971	-	-		
C1	-	new drawing created: dimension 21.0 ± 0.2 was 21.0 ± 0.1 (conversation failure)	02SEP2009	Kirsch.	Stre.		
C2	-	Cavity identification added	31MRZ2011	Hom.	Stre.		



B-B

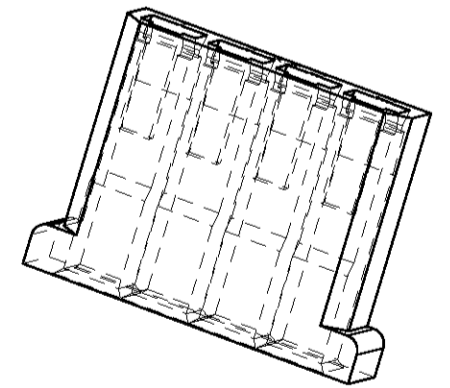


A-A



NOTE: Bemerkungen:

- 1 TOLERANCE FOR ANY DIVISION ± 0.1 mm
Toleranz beliebiger Teilungen ± 0.1 mm
- 2 MOULD CAVITY NUMBER
Werkzeugnestzahl
- 3 CAVITY IDENTIFICATION
Kammerbezeichnung



2:1

925016-0	NYLON	NATURAL
PART NO.	MATERIAL	COLOUR

THIS DRAWING IS A CONTROLLED DOCUMENT.		DWN 02SEP2009 CHK 03SEP2009 APVD 04SEP2009	TE Connectivity	
DIMENSIONS: mm	TOLERANCES UNLESS OTHERWISE SPECIFIED: ± 0.2 mm	NAME J. Kirschbaum E. Stredak M. Bleicher	4POS. FASTIN-FASTON REC. HSG. SER.110 4pol. F.F. Steckhuelsengehaeuse SERIE 2.8	
MATERIAL SEE TABLE	FINISH	PRODUCT SPEC APPLICATION SPEC	SIZE A2	RESTRICTED TO
CUSTOMER DRAWING		WEIGHT	CAGE CODE 100779	SCALE 5:1
			DRAWING NO. 925016	SHEET 1 OF 1
				REV C2