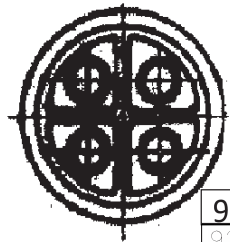
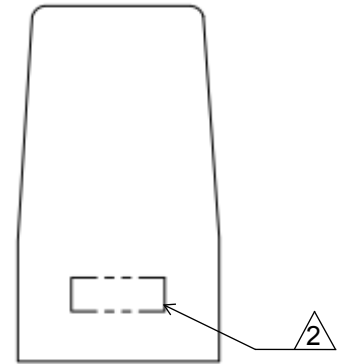
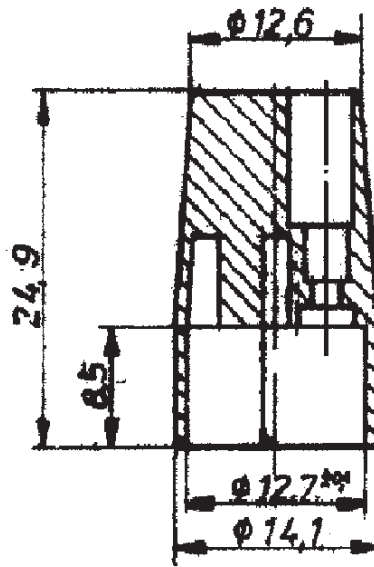
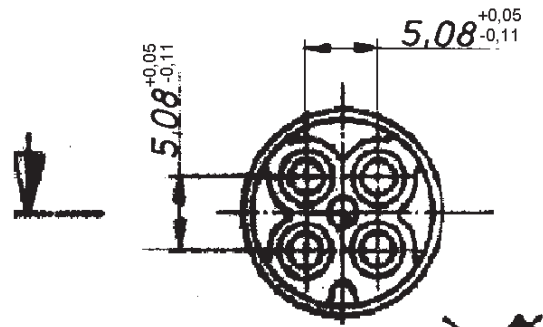


LOC	DIST	REVISIONS					
AL	2	P	LTR	DESCRIPTION	DATE	DWN	APVD
			H5	REVISED PER ECR-15-014424	18NOV2015	NK	EW



- 1 OBSOLETE PARTS: OBSOLETE CIS STREAMLINING PER D.RENAUD/D.SINISI
- 2 FROST TE LOGO ON THIS SURFACE PER P/N: 1621426-4

1 OBSOLETE	925075-7	PA66 GWT 750°C-V0	NATURAL
	925075-6	PA6 GWT750°C-V2	NATURAL
1 OBSOLETE	925075-4	PA66	RED
	925075-3	PA66	BLACK
1 OBSOLETE	925075-2	PA66 UL94	WHITE
	925075-1	PA66 UL94	NATURAL
	925075-0	PA66	NATURAL
	PN	MATERIAL	COLOUR

THIS DRAWING IS UNPUBLISHED.  
 ALL RIGHTS RESERVED.  
 BY I  
 COPYRIGHT I  
 ©

DIMENSIONS: mm		DWN J. SALO 10AUG2009	MATERIAL SEE TABLE	FINISH -
TOLERANCES UNLESS OTHERWISE SPECIFIED:		CHK R. SOLE 10AUG2009	TE Connectivity	
0 PLC ±- 1 PLC ±0,4 2 PLC ±0,4 3 PLC ±- 4 PLC ±- ANGLES ±1° 30'		APVD G. TURCO 10AUG2009		
PRODUCT SPEC		NAME 4 WAY CIRCULAR MATE-N-LOK PIN HOUSING		
APPLICATION SPEC		SIZE A4	CAGE CODE -	DRAWING NO C=925075
WEIGHT -		RESTRICTED TO -		
		CUSTOMER DRAWING		
		SCALE 2:1	SHEET 1	OF 1
		REV H5		