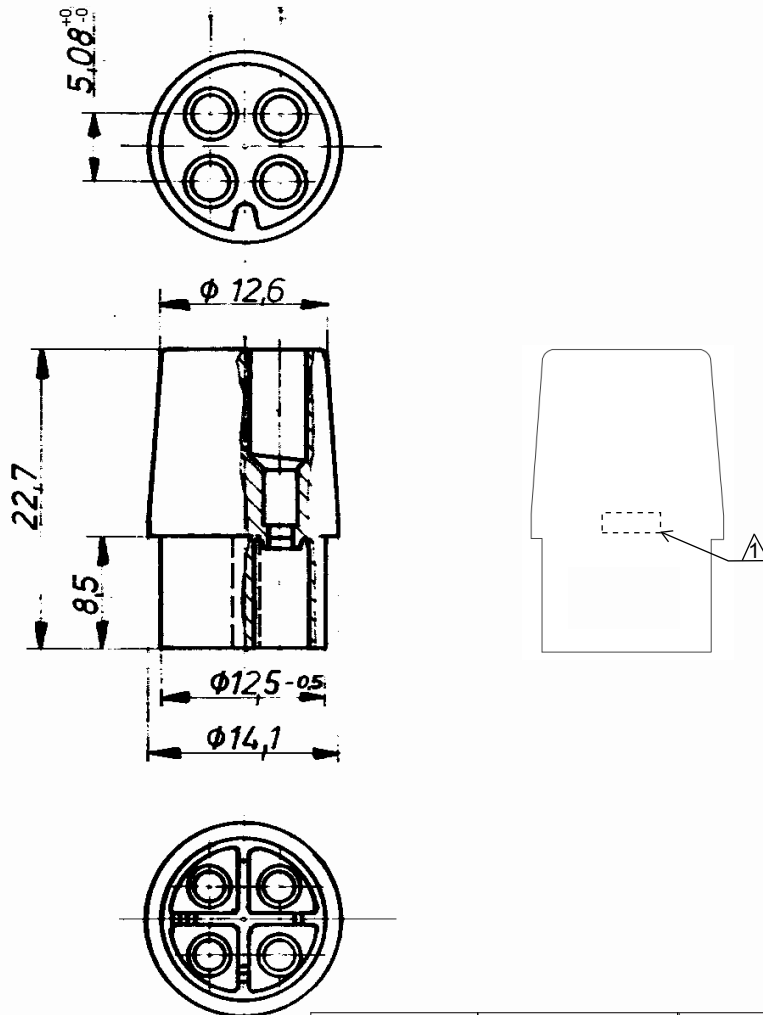


LOC	DIST	REVISIONS				
P	LTR	DESCRIPTION	DATE	DWN	APVD	
AL	2	C5	REVISED PER ECR-15-014424	18NOV2015	NK	EW



1 FROST TE LOGO ON THIS SURFACE
PER P/N: 1621426-4

925076-7	PA66 GWT 750°C-V0	NATURAL
925076-6	PA6 GWT750°C-V2	NATURAL
925076-4	PA66	RED
925076-3	PA66	BLACK
OBSOLETE 925076-2	PA66 UL94	WHITE
OBSOLETE 925076-1	PA66 UL94	NATURAL
925076	PA66 UL94 V-2	NATURAL
PN	MATERIAL	COLOUR

THIS DRAWING IS UNPUBLISHED.

© COPYRIGHT 20 BY TYCO ELECTRONICS CORPORATION. ALL RIGHTS RESERVED.

DIMENSIONS:	
mm	
TOLERANCES UNLESS OTHERWISE SPECIFIED:	
0 PLC	±
1 PLC	±0,4
2 PLC	±0,4
3 PLC	±
4 PLC	±
ANGLES	±1° 30'

DWN	J. SALO	10AUG2009
CHK	R. SOLE	10AUG2009
APVD	G. TURCO	10AUG2009
PRODUCT SPEC	-	
APPLICATION SPEC	-	
WEIGHT	-	

MATERIAL	SEE TABLE	FINISH	-
TE TE Connectivity			
NAME 4 WAY CIRCULAR MATE-N-LOK SOCKET HOUSING			
SIZE	CAGE CODE	DRAWING NO	RESTRICTED TO
A4	00779	C-925076	-
CUSTOMER DRAWING		SCALE	2:1
		SHEET	1 OF 1
		REV	C5

