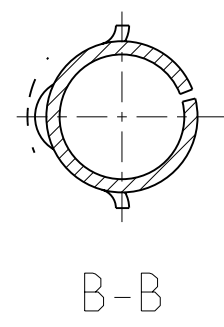
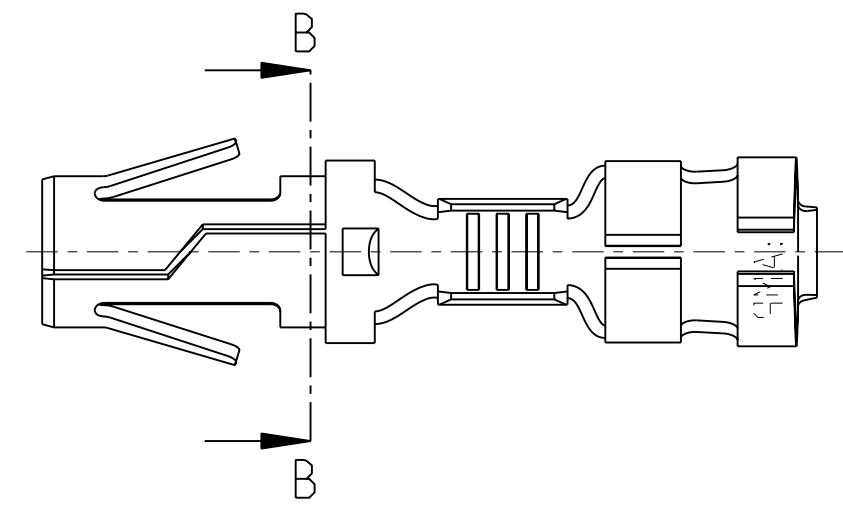
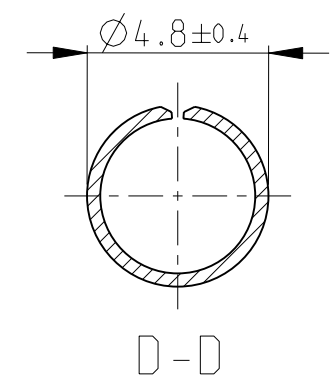
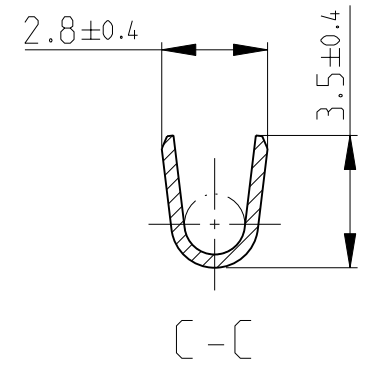
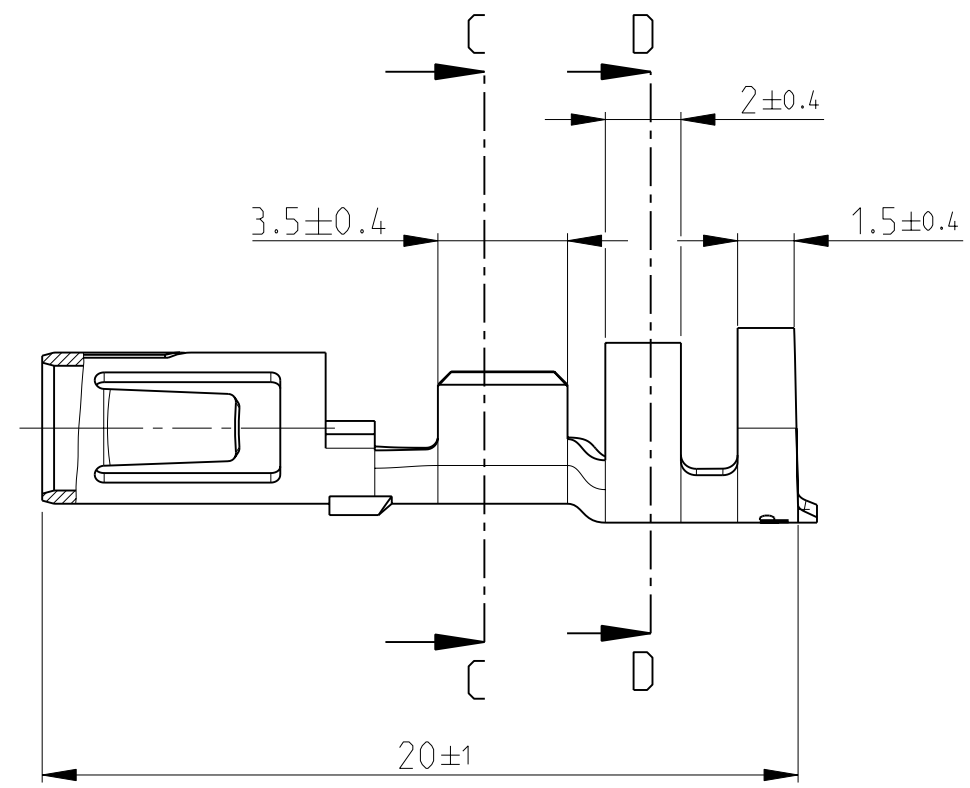


THIS DRAWING IS UNPUBLISHED. RELEASED FOR PUBLICATION 2008  
 © COPYRIGHT 2008 BY TYCO ELECTRONICS CORPORATION. ALL RIGHTS RESERVED.

LOC	DIST	REVISIONS				
P	LTR	DESCRIPTION	DATE	DWN	APVD	
AL	2	Y	New drawing released	21NOV2008	J.S	P.E.G
		Y1	REVISED PER ECO-10-000445	06FEB10	KK	HMR



Terminal Conductor: FLK-Cable  
 Conductor: F-Crimp  
 Insulation: F-Crimp

Cross section in mm <sup>2</sup>									
Single connection	0.50	0.75	1.00	1.50	2.00	2.50	3.00	4.00	6.00
0.50	X	X	X	X	X				
0.75	X	X	X	X					
1.00	X	X	X	X					
1.50	X	X							
2.00									
2.50									
3.00									
4.00									
6.00									

NOTE  
 1 OBSOLETE PARTS: OBSOLETE C IS STREAMLINING PER D.RENAUD/D.SINISI

1 OBSOLETE	Plain	Phosphor Bronze	925661-9
	Gold over Ni.	Phosphor Bronze	925661-7
1 OBSOLETE	Gold over Ni.	Phosphor Bronze	925661-6
	Plain	Phosphor Bronze	925661-4
	Silver	Phosphor Bronze	925661-3
	Pre-tin	Phosphor Bronze	925661-2
	Pre-tin	Brass	925661-1
	Finish	Material	Part no.

925661-8 strip free  
 Wire size range: 0.5-2.0 mm<sup>2</sup>

DIMENSIONS:		TOLERANCES UNLESS OTHERWISE SPECIFIED:	
mm			
0 PLC	±0.2	1 PLC	±0.2
1 PLC	±0.2	2 PLC	±0.2
2 PLC	±0.2	3 PLC	±0.2
3 PLC	±0.2	4 PLC	±0.2
4 PLC	±0.2	ANGLES	±1° 30'
MATERIAL	see table	FINISH	see table

DWN	J. Salo	21NOV2008	Tyco Electronics AMP España, S.A. Barcelona, Spain.	
CHK	R. Sole	21NOV2008		
APVD	P.F.Grassano	21NOV2008		
PRODUCT SPEC				
APPLICATION SPEC			NAME	.140 DIA SOCKET
WEIGHT			SIZE	A3
			CAGE CODE	-
			DRAWING NO	925661
			RESTRICTED TO	-
CUSTOMER DRAWING			SCALE	5:1
			SHEET	1 OF 1
			REV	Y1