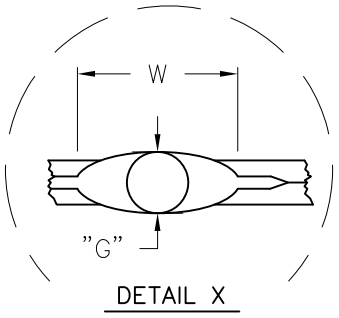
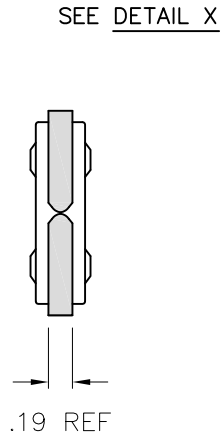
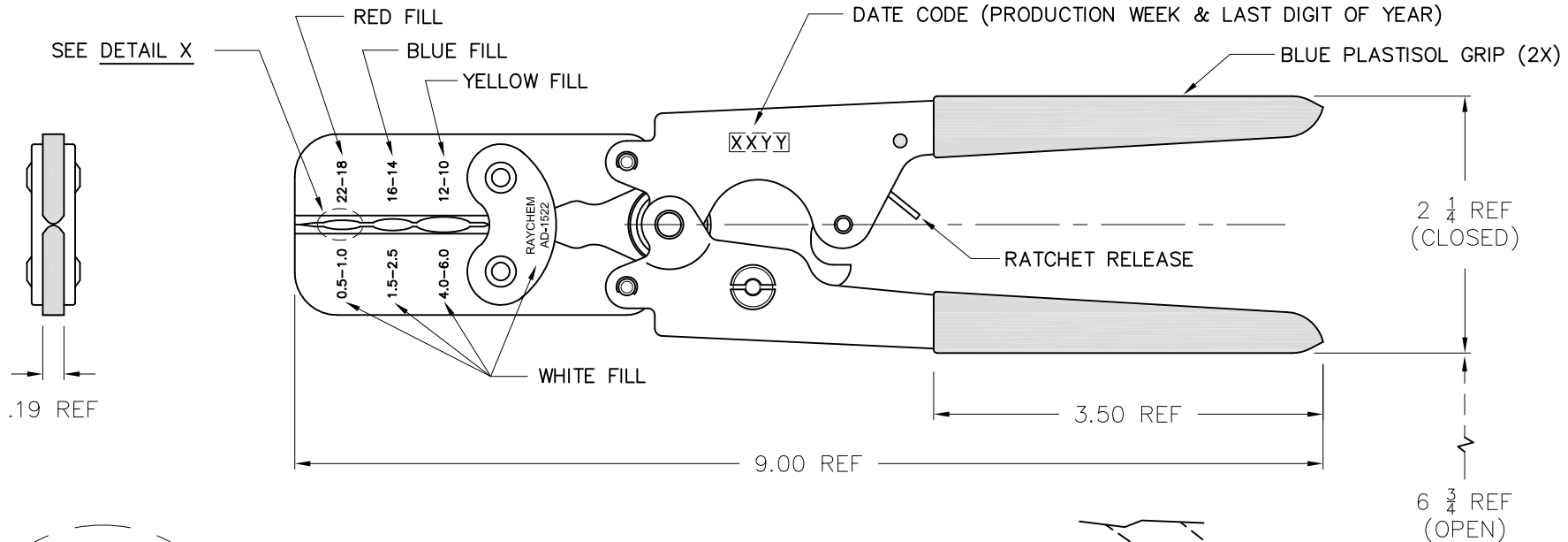


REVISIONS		
LTR	DESCRIPTION	DATE
B	REVISED PER ECO-11-025527	21DEC11



NOTES:

- △1. GAGE NEST DIMENSION "G" WITH HANDLES CLOSED TO RATCHET STOP POSITION.
2. RATCHET CONTROLLED RELEASE HANDLE LOAD OF 35 - 45 LBS IS REQUIRED TO RELEASE RATCHET WHEN APPLIED APPROXIMATELY 1.75 INCHES FROM END OF HANDLES.

NEST COLOR & AWG	"G" DIMENSION	W
RED (22-18)	.094/.090	.25
BLUE (16-14)	.1095/.1045	.31
YELLOW (12-10)	.151/.145	.38

IF THIS DOCUMENT IS PRINTED IT BECOMES UNCONTROLLED. CHECK FOR THE LATEST REVISION.

DRAWN	RPN
UNGUYEN	047011-000

UNLESS OTHERWISE SPECIFIED DIMENSIONS ARE INCHES. METRIC DIMENSIONS ARE IN BRACKETS.
 DECIMAL TOLERANCES
 .XXX ± 0.005 [0.13 mm]
 .XX ± 0.01 [0.25 mm]
 .X ± 0.1 [0.50 mm]
 ANGLE TOLERANCE
 .X ± 1 DEG.

TE Connectivity Raychem Devices
 305 Constitution Dr
 Merlo Park, CA 94025

TITLE
 AD-1522-1 CRIMPING TOOL

TE CONNECTIVITY RESERVES THE RIGHT TO AMEND THIS DRAWING AT ANY TIME. USERS SHOULD EVALUATE THE SUITABILITY OF THE PRODUCT FOR THEIR APPLICATION.	THIRD ANGLE PROJECTION	SIZE B	CODE IDENT. NO. 06090	DWG. NO. AD-1522-1
© 1994,2011 Tyco Electronics Corporation, a TE Connectivity Ltd. Company. All Rights Reserved.		DO NOT SCALE THIS DRAWING		SHEET 1 OF 1