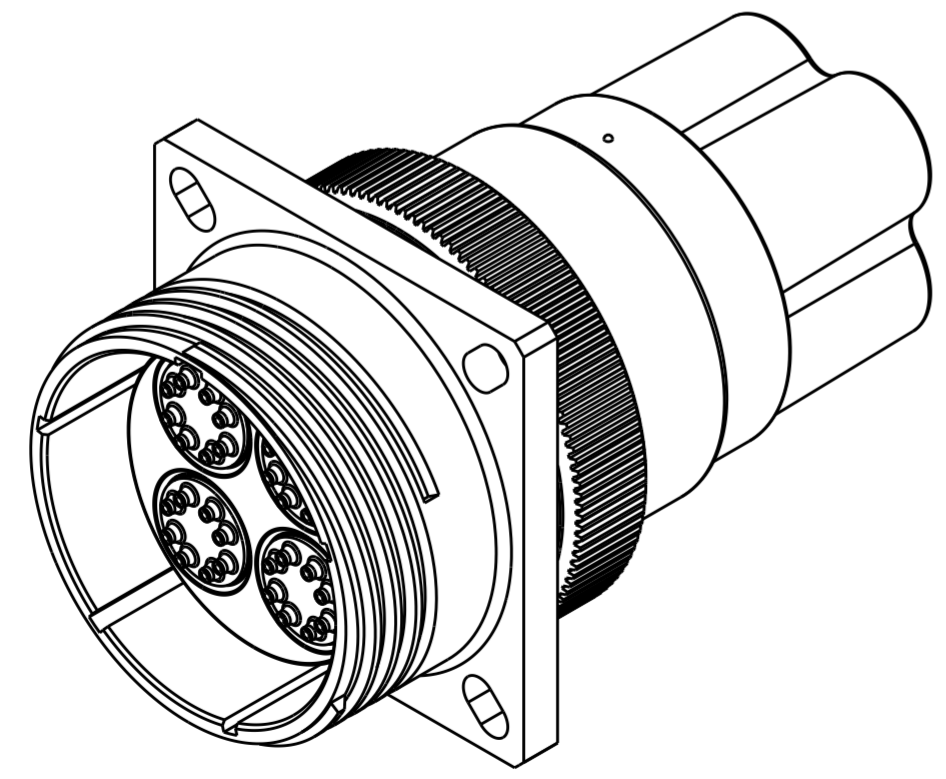
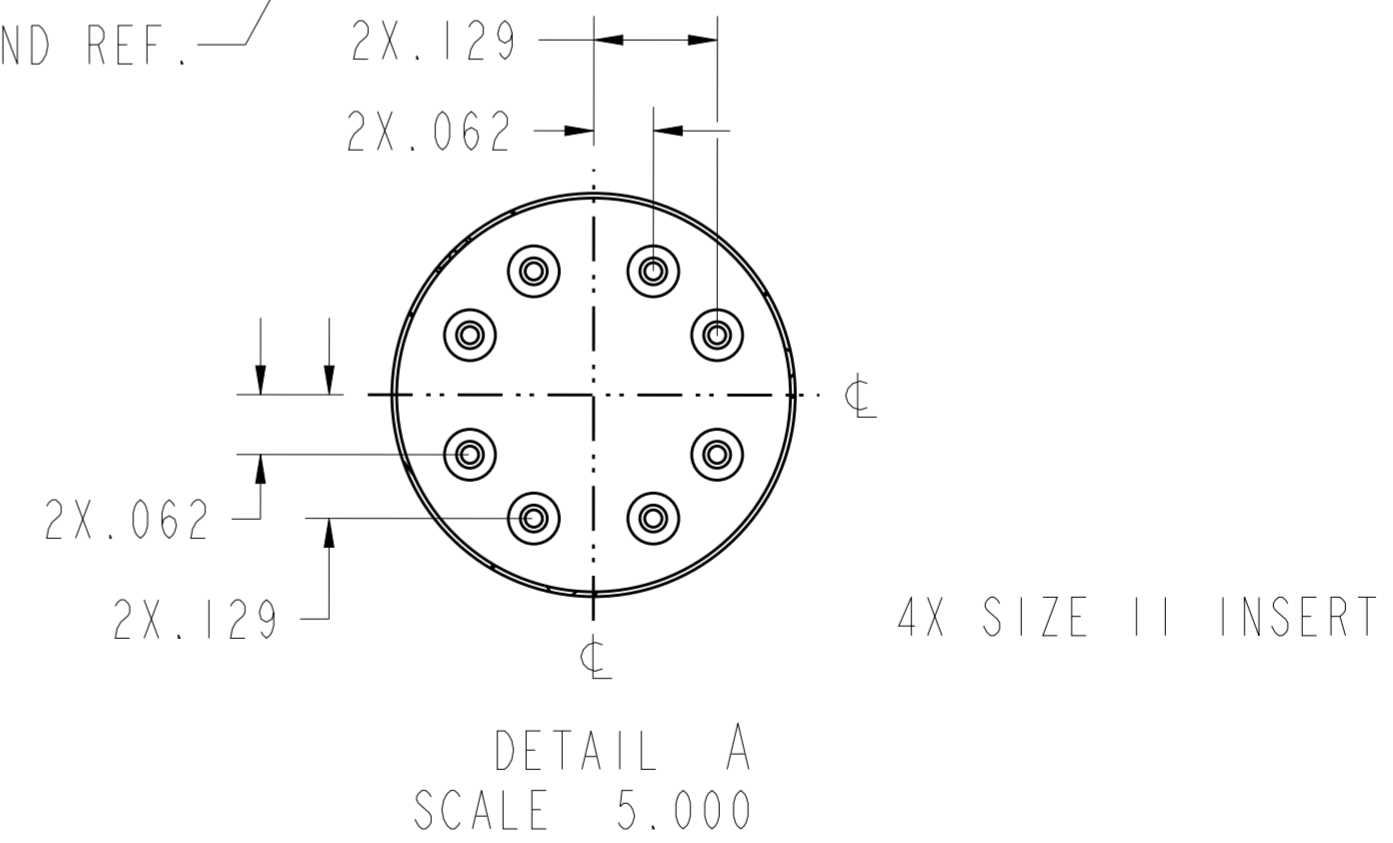
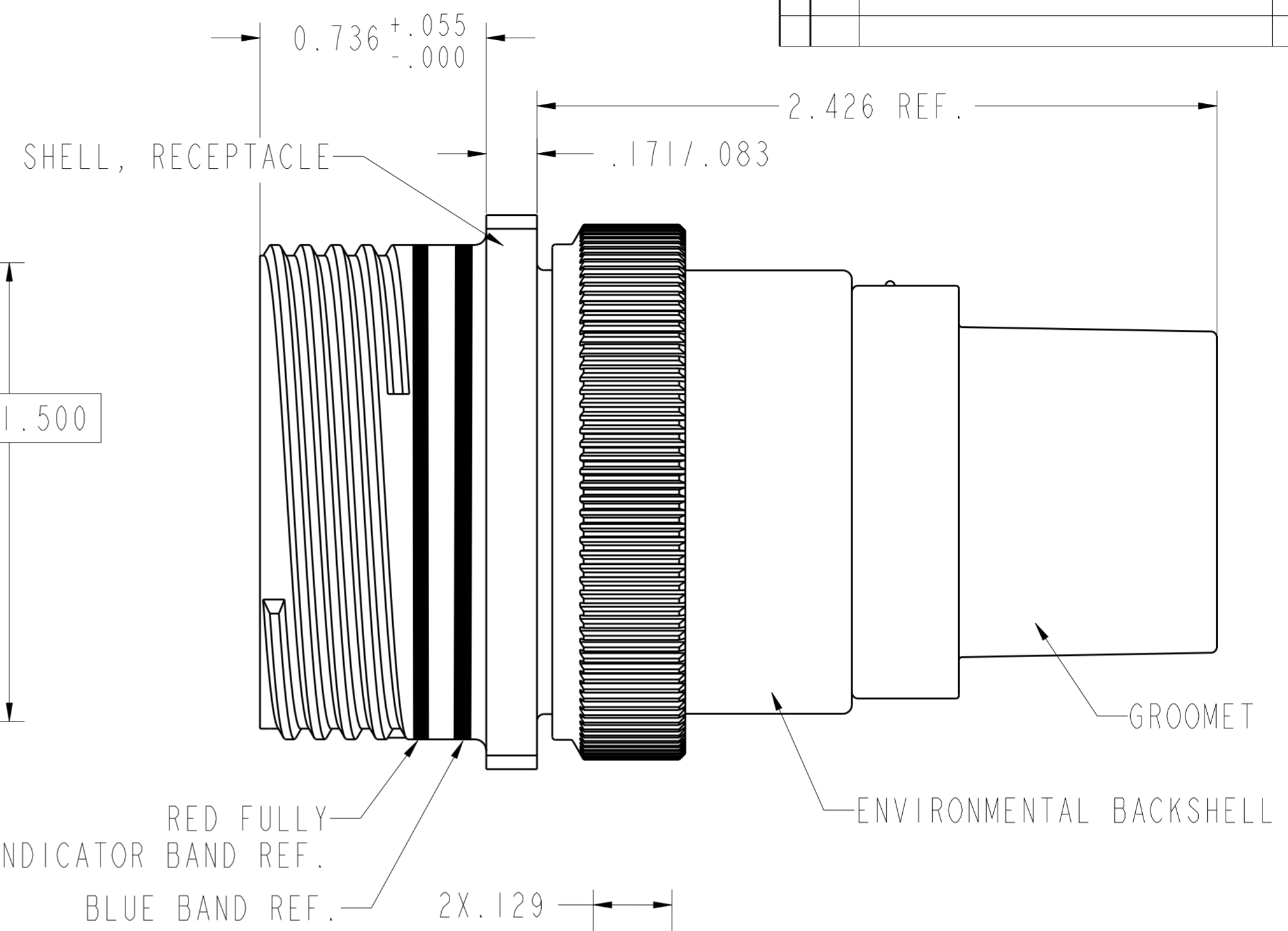
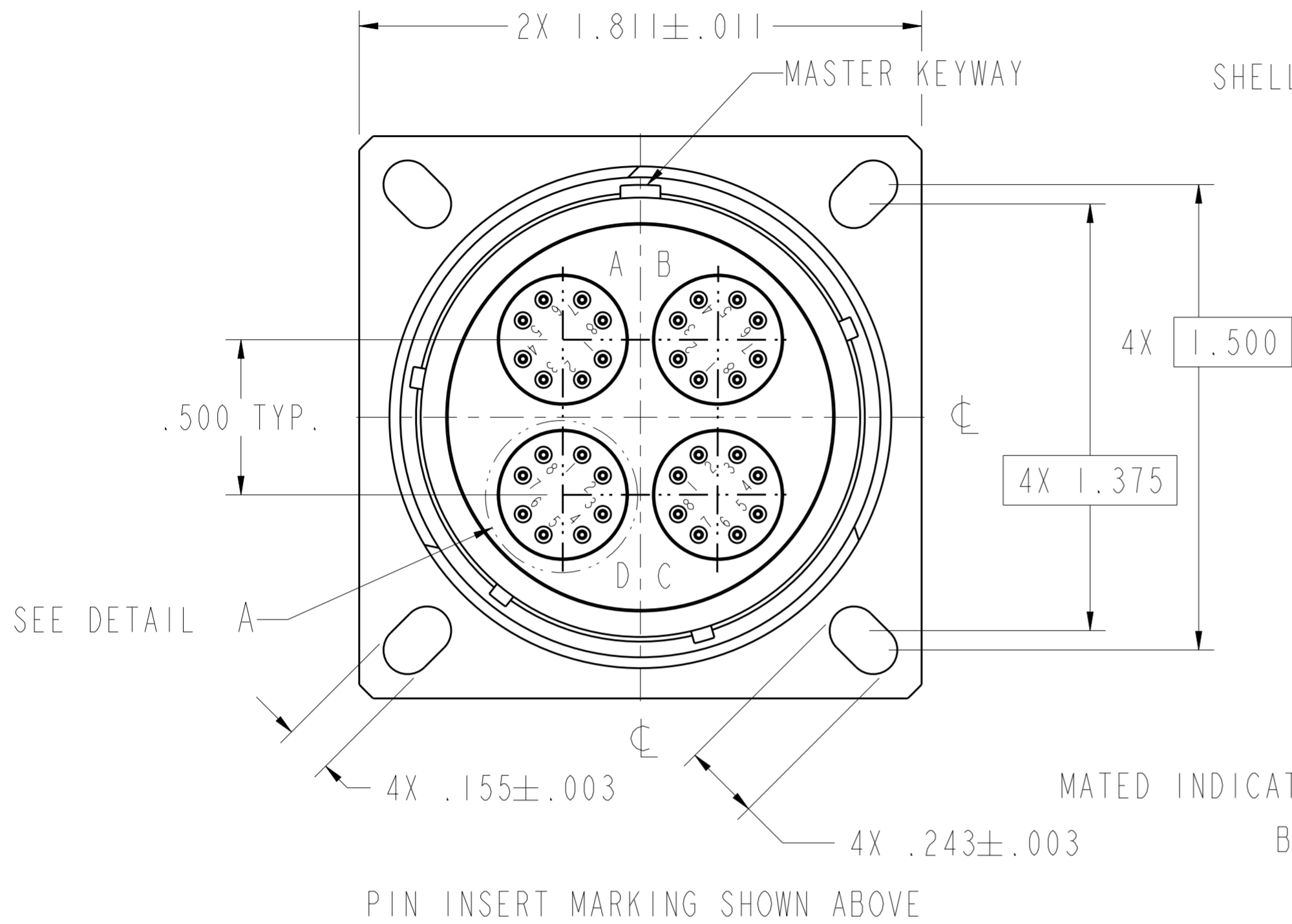


THIS DRAWING IS UNPUBLISHED. RELEASED FOR PUBLICATION 20  
 © COPYRIGHT 20 ALL RIGHTS RESERVED.

PROPERTY OF THE TE CONNECTIVITY  
 THIS INFORMATION IS CONFIDENTIAL AND PROPERTY TO TYCO ELECTRONICS CORPORATION  
 AND ITS WORLDWIDE SUBSIDIARIES AND AFFILIATES (TE). IT MAY NOT BE DISCLOSED TO  
 ANYONE, OTHER THAN TE PERSONNEL, WITHOUT AUTHORIZATION FROM TE (www.TE.com).

LOC		DIST		REVISIONS			
P	LTR	DESCRIPTION	DATE	DWN	APVD		
	A	NEW RELEASE PER ECO-16-000996	160122				



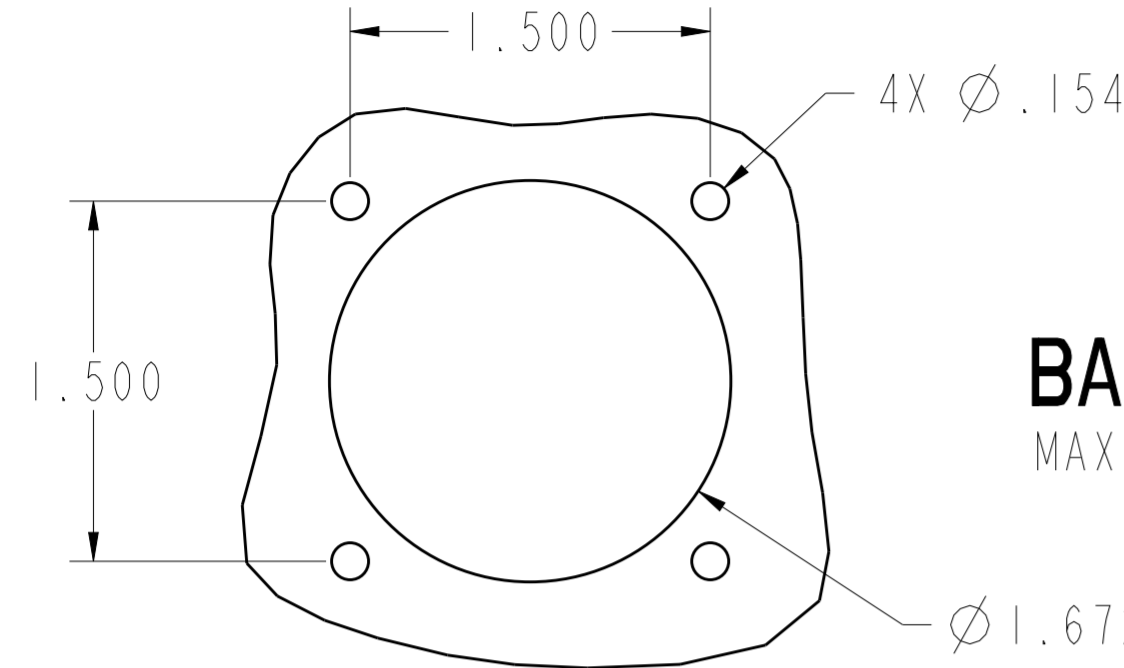
SEE SHEET 2 FOR APPLICABLE NOTES

THIS DRAWING IS A CONTROLLED DOCUMENT.		DWN	JPF	140218	 TE Connectivity							
DIMENSIONS: INCH		CHK	JPF	160122								
TOLERANCES UNLESS OTHERWISE SPECIFIED:		APVD	AR	160122								
0 PLC ±1 1 PLC ±0.1 2 PLC ±0.01 3 PLC ±0.005 4 PLC ±0.0005 ANGLES ±0.5° FINISH		PRODUCT SPEC	NAME			CONNECTOR, RECEPTACLE FLANGE MOUNT 2532 ARRANGEMENT						
MATERIAL	3	WEIGHT	-		SIZE	A2	CAGE CODE	11139	DRAWING NO	C-CFX20x2532xxx	RESTRICTED TO	-
CUSTOMER DRAWING		SCALE		2.500	SHEET		1	OF	2	REV	A	

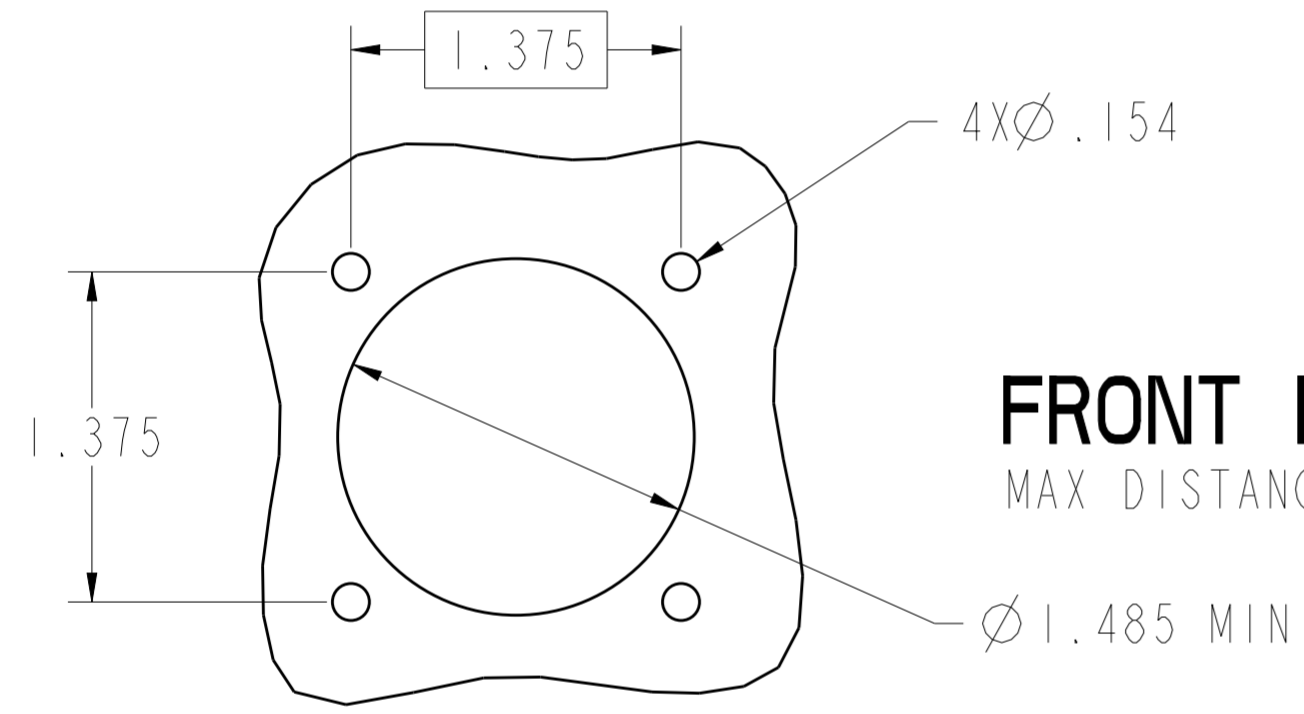
THIS DRAWING IS UNPUBLISHED. RELEASED FOR PUBLICATION 20  
 © COPYRIGHT 20 ALL RIGHTS RESERVED.

PROPERTY OF THE TE CONNECTIVITY  
 THIS INFORMATION IS CONFIDENTIAL AND PROPERTY TO TYCO ELECTRONICS CORPORATION  
 AND ITS WORLDWIDE SUBSIDIARIES AND AFFILIATES (TE). IT MAY NOT BE DISCLOSED TO  
 ANYONE, OTHER THAN TE PERSONNEL, WITHOUT AUTHORIZATION FROM TE (www.TE.com).

LOC		DIST		REVISIONS			
P	LTR	DESCRIPTION	DATE	DWN	APVD		
-	-	SEE SHEET 1	-	-	-		



**BACK PANEL MOUNTING**  
 MAX DISTANCE BETWEEN MOUNTING SCREWS



**FRONT PANEL MOUNTING**  
 MAX DISTANCE BETWEEN MOUNTING SCREWS

CFX20 (x)<sub>1</sub> 2532 (x)<sub>2</sub> Z (x)<sub>3</sub> xxx

MODIFICATION

KEYING POSITION:  
 N, A, B, C, D, E

CONTACT TERMINATION:  
 Z = CRIMPED CONTACT  
 A THROUGH Y = EXTENDED CONTACT

CONTACT FINISH:  
 P = PIN LOCALIZED GOLD FINISH  
 S = SOCKET LOCALIZED GOLD FINISH  
 F = PIN FULL GOLD FINISH  
 G = SOCKET FULL GOLD FINISH  
 H = PIN HI REL FINISH  
 J = SOCKET HI REL FINISH  
 A = LESS PIN CONTACT  
 B = LESS SOCKET CONTACT

SHELL SIZE/INSERT ARRANGMENT

PLATING/SHELL MATERIAL:  
 SEE TABLE

BASIC IDENTIFIER

6. COMPOSITE WEIGHT WITHOUT MODULES AND CABLE: 0.196 POUNDS.  
 METAL WEIGHT WITHOUT MODULES AND CABLE: 0.227 POUNDS.  
 PIN MODULE, FOLLOWER AND BRAID SUPPORTS WEIGHT: .011 LBS.  
 SOCKET MODULE, FOLLOWER AND BRAID SUPPORTS WEIGHT: .017 LBS.

5. MATES WITH CFX26x2532xxx.

4. FINISH: SHELL/BACKSHELL - SEE TABLE.  
 CONTACTS - SEE PART NUMBER BREAKDOWN.

3. MATERIAL: SHELL - SEE TABLE.  
 BACKSHELL/ COUPLING RING - ALUMINUM ALLOY.  
 CONTACTS - COPPER ALLOY.  
 RESILIENT INSERTS/BACKSHELL GROMMET - SILICONE ELASTOMER.  
 PLASTIC INSERTS - THERMOPLASTIC.

2. FOR AVAILABILITY CONSULT FACTORY.

1. ALL DIMENSIONS ARE IN INCHES UNLESS OTHERWISE SPECIFIED.

PART NUMBER (x) <sub>1</sub>	PLATING	SHELL MATERIAL
M	NICKEL	COMPOSITE
J	O.D. CAD	COMPOSITE
F	NICKEL	ALUMINUM
W	O.D. CAD	ALUMINUM
S	NICKEL	STAINLESS STEEL
T	TEFLON NICKEL	ALUMINUM
Z	BLACK ZINC NICKEL	ALUMINUM

SIZE 25 PART NUMBER(x) <sub>3</sub>	POS
CFX20x2532xZN	N
CFX20x2532xZA	A
CFX20x2532xZB	B
CFX20x2532xZC	C
CFX20x2532xZD	D
CFX20x2532xZE	E

THIS DRAWING IS A CONTROLLED DOCUMENT.

DWN: JPF 140218  
 CHK: JPF 160122  
 APVD: AR 160122

PRODUCT SPEC: -  
 APPLICATION SPEC: -  
 WEIGHT: -

NAME: CONNECTOR, RECEPTACLE  
 FLANGE MOUNT  
 2532 ARRANGEMENT

SIZE: A2 | CAGE CODE: 11139 | DRAWING NO: C-CFX20x2532xxx | RESTRICTED TO: -

Customer Drawing | SCALE: 2.500 | SHEET: 2 OF 2 | REV: A