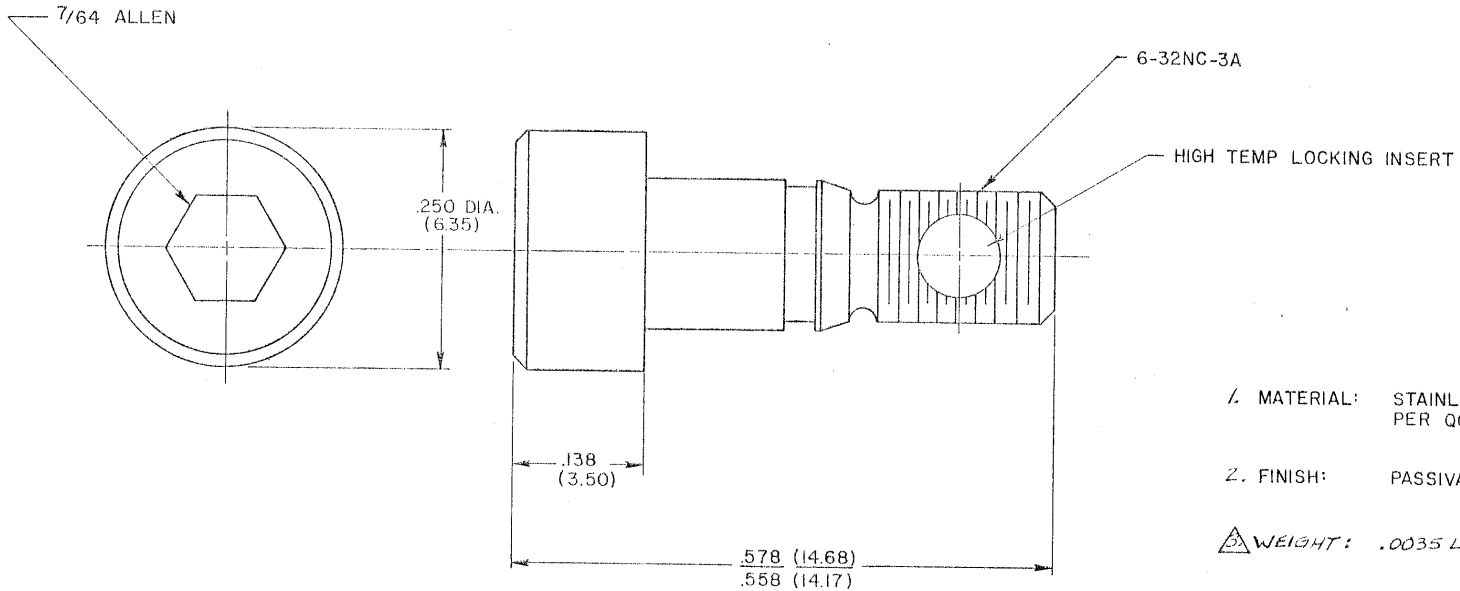


REVISIONS				
ZONE	CTR	DESCRIPTION	DATE	APPROVED
A		NEW DESIGN - 013037	8/6/79	J



1. MATERIAL: STAINLESS STEEL 300 SERIES PER QQ-S-763.

2. FINISH: PASSIVATE PER QQ-P-35.

3. WEIGHT: .0035 Lbs. [1.588gr.] MAX.

© Raychem Corporation 1979

CONNECTOR SPECIFICATION CONTROL DRAWING

UNLESS OTHERWISE SPECIFIED DIMENSIONS ARE IN INCHES BRACKETED DIMENSIONS () ARE METRIC AND TOLERANCES ARE: .xxx: ±.005 (.127mm) .xx: ± () Δ: ±	DRAWN	A.M. LEE	6-18-79	Raychem <small>RAYCHEM CORPORATION 300 CONSTITUTION DRIVE MENLO PARK, CALIFORNIA 94025</small>	
	CHECKED	Hogman	6-20-79		
	APPROVED	J/S/eb	6-25-79	TITLE	
	APPROVED			SCREW, CAPTIVE	
	APPROVED			ALLEN HEAD	
	PROJECT	6448-7072	SIZE	CODE IDENT	DWG. NO.
			C	NO. 06090	CTA-0028
			WEIGHT	Δ	SHEET / OF /

If this document is printed it becomes uncontrolled.
 Check with the web for latest revision.

DO NOT SCALE THIS DRAWING