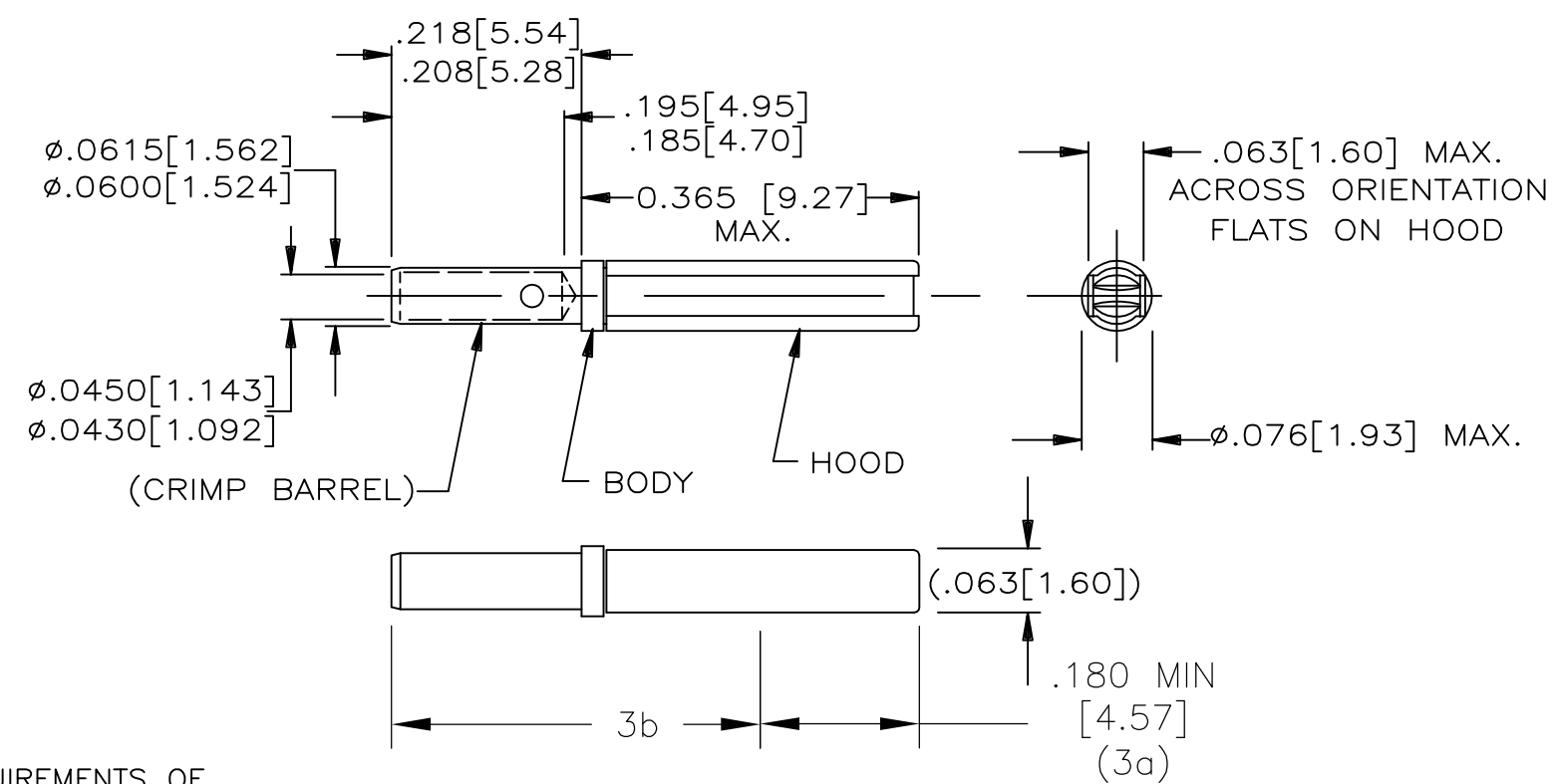



THIS DRAWING IS UNPUBLISHED. RELEASED FOR PUBLICATION  
 © COPYRIGHT - By - ALL RIGHTS RESERVED.

LOC	DIST	REVISIONS					
		P	LTR	DESCRIPTION	DATE	DWN	APVD
			H	REV PER ECO 14-015585	12-23-14	CT	KH



- THIS CONTACT IS DESIGNED TO MEET THE APPLICABLE REQUIREMENTS OF RAYCHEM SPECIFICATION C-6114 AND C-6115.
- MATERIAL:  
 BODY: COPPER ALLOY CDA C19160 (BOILLAT C97), TESTED PER ASTM B 249.  
 HOOD: STAINLESS STEEL 305, PER ASTM A 240.
- FINISH:  
 BODY: GOLD PLATE PER ASTM B 488, CLASS 1  
 3a: GOLD THICKNESS: 50-100µin  
 3b: GOLD THICKNESS: 10µin MIN  
 HOOD: PASSIVATED PER SAE AMS 2700.
- CRIMP TOOL RECOMMENDATION:  
 A: TOOL NUMBER M22520/2-01  
 B: POSITIONER NUMBER CE-16-06000
- THIS CONTACT MATES WITH TYCO PIN CONTACT NUMBER CTA-0166
- CRIMP BARREL DESIGNED TO ACCOMMODATE A WIRE RANGE OF AWG 20-26
- THESE CONTACTS ARE USED IN TYCO INSERTS MTCP-X22-XXS. SEE DRAWING D-659-0097 FOR INSERT CONFIGURATION.
- RECOMMENDED WIRE STRIP LENGTH: 0.195-0.215 [4.95-5.46].

THIS DRAWING IS A CONTROLLED DOCUMENT.		DWN C.C.THOMAS 23DEC2014	 TE Connectivity				
DIMENSIONS: INCHES [mm]		CHK K.HOGAN 12-23-14					
TOLERANCES UNLESS OTHERWISE SPECIFIED:		APVD K.HOGAN 12-23-14	NAME CONTACT, SOCKET, CRIMP, SIZE 22-20, MTC SERIES				
0 PLC ± - 1 PLC ± - 2 PLC ± - 3 PLC ± - 4 PLC ± - ANGLES ± -		PRODUCT SPEC -	APPLICATION SPEC -				
MATERIAL -		FINISH -	WEIGHT 0.192 GR MAX	SIZE A3	CAGE CODE 06090	DRAWING NO C-CTA-0165	RESTRICTED TO -
CUSTOMER DRAWING			SCALE NTS	SHEET 1 OF 1	REV H		