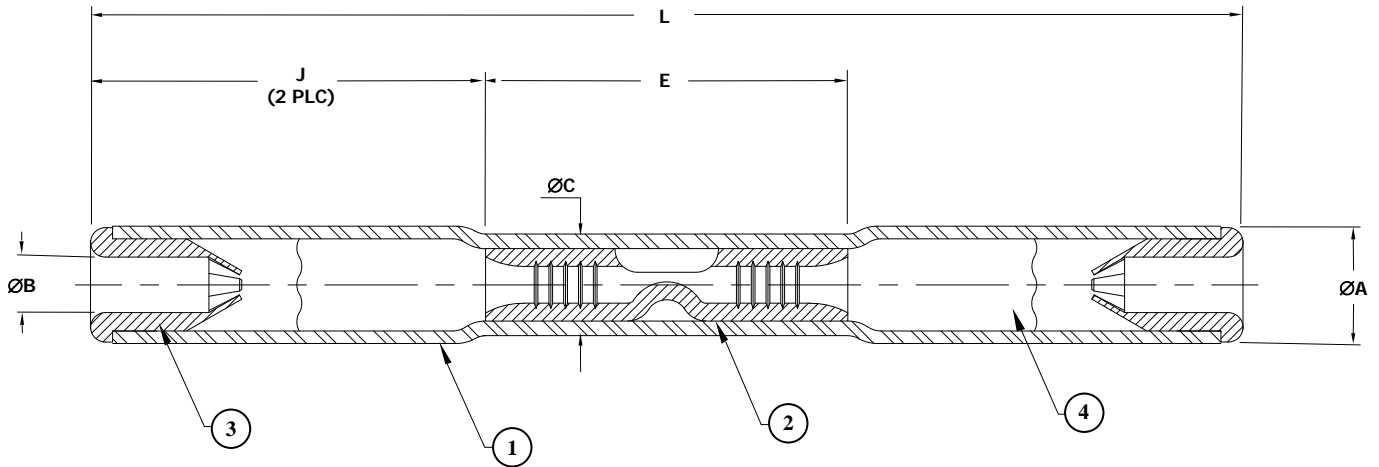


## CUSTOMER DRAWING




PART NUMBER	WIRE RANGE	L ± 1.0 (±0.040)	ØA ± 0.5 (±0.020)	ØB ± 0.25 (±0.010)	ØC ± 0.5 (±0.020)	E ± 0.25 (±0.010)	J ± 0.50 (±0.020)	END CAP COLOR CODE (BOTH ENDS)
D-436-36-COLD	26-24-22-20	36.8 (1.450)	4.2 (0.165)	2.0 (0.080)	3.7 (0.145)	12.1 (0.475)	12.7 (0.500)	RED
D-436-37-COLD	18-16	37.7 (1.484)	5.1 (0.200)	2.9 (0.115)	4.5 (0.175)	14.3 (0.565)	11.8 (0.464)	BLUE
D-436-38-COLD	14-12	37.7 (1.484)	5.9 (0.235)	3.8 (0.150)	5.2 (0.205)	14.3 (0.565)	11.8 (0.464)	YELLOW

### MATERIALS

- INSULATION SLEEVE: Heat-shrinkable, transparent clear, radiation cross-linked modified polyvinylidene fluoride.
- CRIMP:  
Base Metal: Copper Alloy 101 or 102 per ASTM B-75, Annealed  
Plating: Tin-plate per ASTM-B545
- END CAPS: Thermoplastic, Color Coded (See Table)
- GEL: Clear silicone based Gel.

### APPLICATION

- These parts are designed to provide immersion resistant in-line splices of 1 to 1 wires falling within size range listed above, and having insulations rated for 105°C.
- Crimp splices using a Tyco Electronics AD-1381 Crimp Tool.
- Install Cold Crimp Splices per Tyco Electronics RPIP-1102.
- This document takes precedence over documents reference herein.
- Temperature range: -65°C to +150°C.

		300 Constitution Dr Menlo Park, CA 94025, U.S.A.		TITLE: <b>IMMERSION RESISTANT CRIMP SPLICE                  150 DEG C, ROHS COMPLIANT                  COLD APPLIED SPLICE</b>		
		Unless otherwise specified dimensions are in millimeters. [Inches dimensions are shown in brackets]		Raychem Devices		DOCUMENT NO.: <b>D-436-3X-COLD</b>
TOLERANCES: 0.00 N/A 0.0 N/A 0 N/A	ANGLES: N/A  ROUGHNESS IN MICRON	Tyco Electronics reserves the right to amend this drawing at any time. Users should evaluate the suitability of the product for their application.		REV: B	DATE: March 10, 2011	
REVISED BY: UNGUYEN	CAGE CODE: 06090	ECO NUMBER: ECO-11-004984		SCALE: NTS	SIZE: A	SHEET: 1 of 1

© 2010-2011 Tyco Electronics Corporation. All rights reserved.

If this document is printed it becomes uncontrolled. Check for the latest revision.