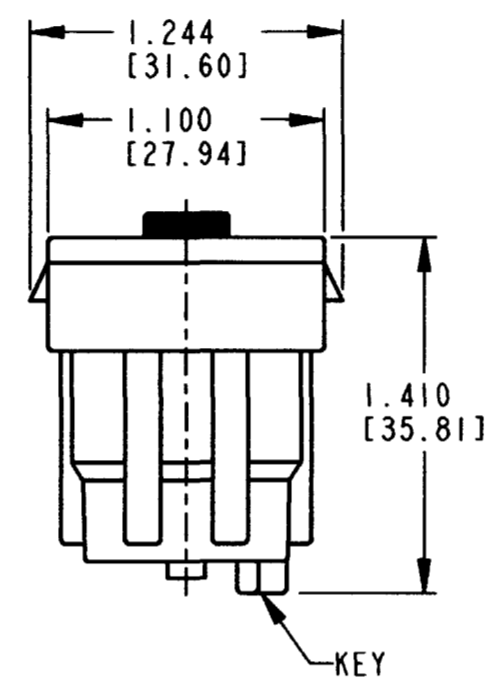


REV D **DRC26-40S \***

| REVISIONS |                                   |          |          |
|-----------|-----------------------------------|----------|----------|
| SYM       | DESCRIPTION                       | DATE     | APPROVED |
| A         | REVISED PER E.O. A14635           | 9-6-94   | R.D.R.   |
| B         | REVISED PER E.O. A14773           | 12-2-94  | R.D.R.   |
| C         | REVISED & REDRAWN PER E.O. P17012 | 12-22-00 | R.D.R.   |
| D         | REVISED PER E.O. P18865           | 3-31-05  | RDR      |



**DRC26-40SA**



**DRC26-40SB**



**DRC26-40SC**



**DRC26-40SD**



| CONTACT SIZE | MIN. INSUL. O.D. | MAX. INSUL. O.D. | WIRE RANGE [mm <sup>2</sup> ] REF ONLY |
|--------------|------------------|------------------|--|
| 20           | .040 [1.016]     | .095 [2.413]     | 16-20 AWG [1.0-0.5]                    |

5. THIS PLUG MATES WITH DRC23-40P\*-\*\*\*\* RECEPTACLE. (\* = A,B,C,D KEYS; \*\*\*\* = ALL MODIFICATIONS)
- 4 FOR CONTACT AND WIRE PERFORMANCE AND APPLICATION CHARACTERISTICS SEE ENVELOPE DRAWING 0425-015-0000.
3. PLUG IS SUPPLIED WITH DUST CAP (NOT SHOWN).
2. DIMENSION TOLERANCE: ±.025 [0.635]
1. DIMENSIONS ARE IN INCHES [mm].
- NOTES: UNLESS OTHERWISE SPECIFIED

7. MATERIAL: HOUSING: PLASTIC (BLACK); BOLT: STAINLESS STEEL; CLIP: STEEL; GROMMET: RUBBER.
6. RECOMMENDED RETAINING BOLT TORQUE: 25-28 IN-LB [2.82-3.16 NM].

|                  |                   |  |   |                       |
|------------------|-------------------|--|---|-----------------------|
| SIGNATURE & DATE |                   | PLUG<br>40 CONTACTS, SIZE 20<br>DRC SERIES | CP  | MATL. CODE            |
| DR               | D. MEYER 11/30/00 |  | The Deutch Company<br>DEUTSCH I.P.D.<br>3850 INDUSTRIAL AVE.<br>HEMET, CALIF. 92545 |                       |
| CHK              | R. Meyer 7/24/05  |  | B <b>DRC26-40S *</b>  |                       |
| PE               | D. Meyer 3/28/05  |  |   |                       |
| APPD             | R. Road 3-31-05   |  |   |                       |
| SCALE            | NONE WT           | ENVELOPE                                   | DWG. SIZE   | CODE 11139 SHEET   OF |