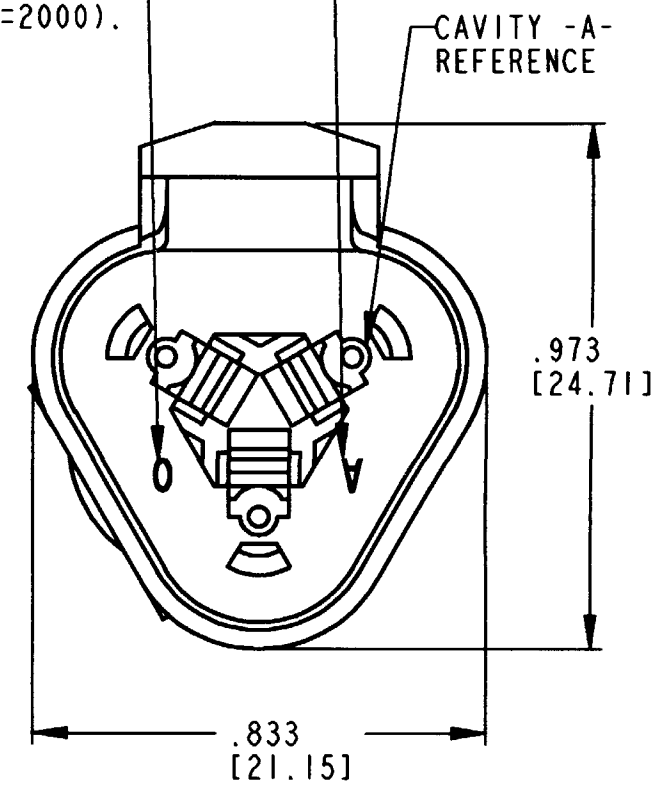


DATE CODE: SEQUENTIAL ALPHA CHARACTERS REPRESENT MONTH (EX: A=JANUARY).

DATE CODE: YEAR REPRESENTED BY LAST NUMERICAL DIGIT. (EX: 0=2000).



| REV | DT04-3P-C015 | REVISIONS | | |
|-----|-----------------------------|-----------|----------|--|
| SYM | DESCRIPTION | DATE | APPROVED | |
| NC | NEW RELEASE PER E.O. A14555 | 2-14-94 | JA | |
| A | REVISED PER E.O. P16038 | 6-15-99 | RDR | |

5. THIS CONNECTOR CAN PASS THRU A ONE INCH [25.44] HOLE.
4. THIS RECEPTACLE MATES WITH THE DT06-3S-**** PLUG. (**** = ALL MODIFICATIONS). CONSULT FACTORY FOR MODIFICATIONS.
3. FOR CONTACTS AND WIRE PERFORMANCE AND APPLICATION CHARACTERISTICS SEE ENVELOPE DRAWING 0425-015-0000 AND 0425-017-0000.
2. DIMENSIONS ARE ±.025 [0.63] UNLESS OTHERWISE SPECIFIED.
1. DIMENSIONS ARE IN INCHES [MILLIMETERS].

NOTES:

| CONTACT SIZE | MIN. INSUL O.D. | MAX. INSUL O.D. | WIRE RANGE [mm ²] |
|--------------|-----------------|-----------------|-------------------------------|
| 16 | .053 [1.35] | .120 [3.05] | 14-20 AWG [2.0-0.5] |

| | | | | |
|------------------|--------------------|--|--|------------|
| SIGNATURE & DATE | | 3 WAY RECEPTACLE THIN WALL WIRE SEALS DT SERIES COLOR: GRAY | CP | MATL. CODE |
| DR | D. SPENCER 04FEB99 | | The Deutsch Company DEUTSCH I.P.D. 3850 INDUSTRIAL AVE. HEMET, CALIF. 92545 | |
| CHK | S. Beard 6-14-99 | | B DT04-3P-C015 | |
| PE | S. J. Hines 6-9-99 | | | |
| APPD | R. Kead 6-15-99 | ENVELOPE | DWG SIZE | CODE 11139 |
| SCALE | 3:1 | WT | SHEET OF | |