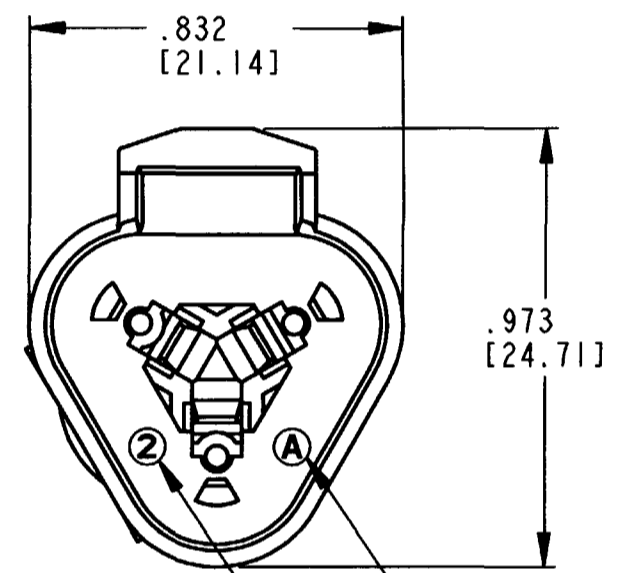
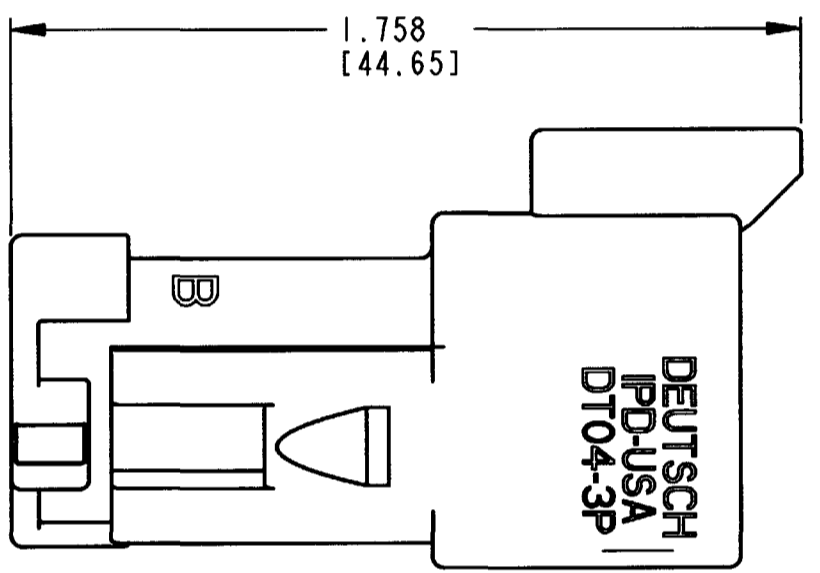
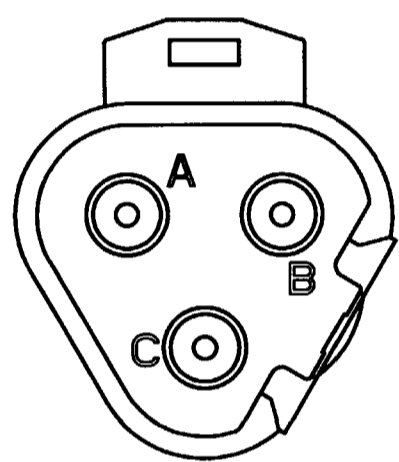


REV B	DT04-3P-E005	REVISIONS		
SYM	DESCRIPTION	DATE	APPROVED	
NC	NEW RELEASE PER E.O. A13781	3/19/92	JA	
A	REVISED PER E.O. P16824	8/30/00	R.D.R.	
B	REVISED PER E.O. P18184	6-6-03	RDR	



DATE CODE: YEAR IS REPRESENTED BY LAST NUMERICAL DIGIT (EX: 0=2000).

DATE CODE: SEQUENTIAL ALPHA CHARACTERS REPRESENT MONTH (EX: A=JANUARY).

CONTACT SIZE	MIN. INSUL O.D.	MAX. INSUL O.D.	WIRE RANGE [mm ²] Δ
16	.088 [2.24]	.145 [3.70]	14-20 AWG [2.0-0.5]

- 6. MATERIAL: SHELL: PLASTIC; GROMMET: RUBBER
- 5. THIS RECEPTACLE MATES WITH THE DT06-3S-**** PLUG (****=ALL MODIFICATIONS). CONSULT FACTORY FOR MODIFICATIONS.
- 4. THIS CONNECTOR CAN PASS THRU A ONE INCH HOLE.
- 3. Δ FOR CONTACTS AND WIRE PERFORMANCE AND APPLICATION CHARACTERISTICS SEE ENVELOPE DRAWING 0425-015-0000 AND 0425-017-0000.
- 2. DIMENSIONS ARE \pm .025[0.63] UNLESS OTHERWISE SPECIFIED.

NOTES: 1. DIMENSIONS ARE IN INCHES [MILLIMETERS].

SIGNATURE & DATE		3 WAY RECEPTACLE -E005 MOD. COLOR: BLACK D.T. SERIES	CP	MATL. CODE	
DR	T. YOHANNES 8/22/00		The Deutsch Company DEUTSCH I.P.D. 3850 INDUSTRIAL AVE. HEMET, CALIF. 92545		
CHK	<i>[Signature]</i> 6/3/03		B DT04-3P-E005	DWG SIZE	CODE 11139
PE	<i>[Signature]</i> 6/3/03			SHEET OF	
APPD	<i>[Signature]</i> 6-5-03	ENVELOPE			
SCALE	NONE	WT			