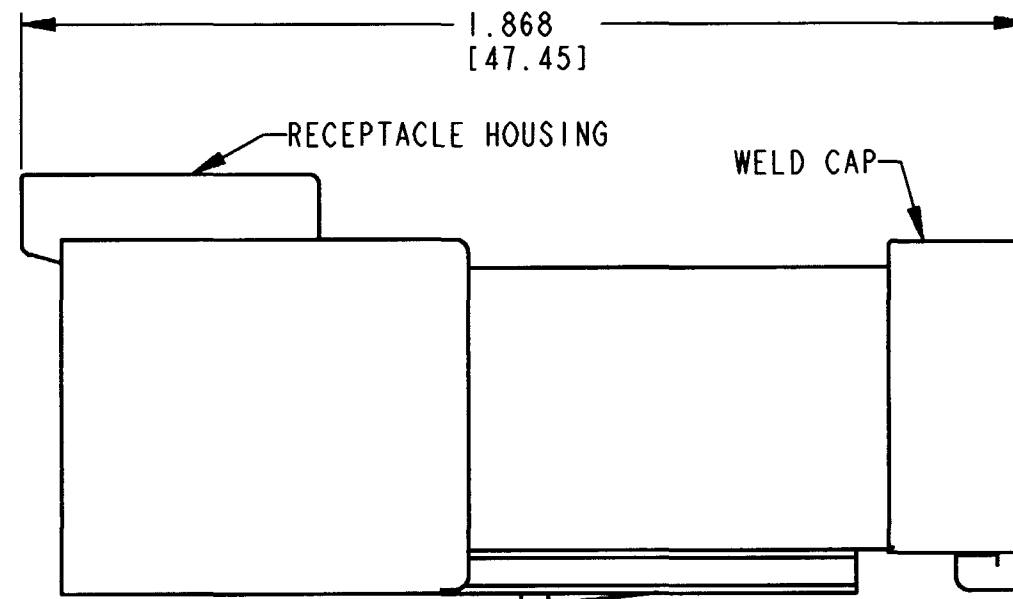
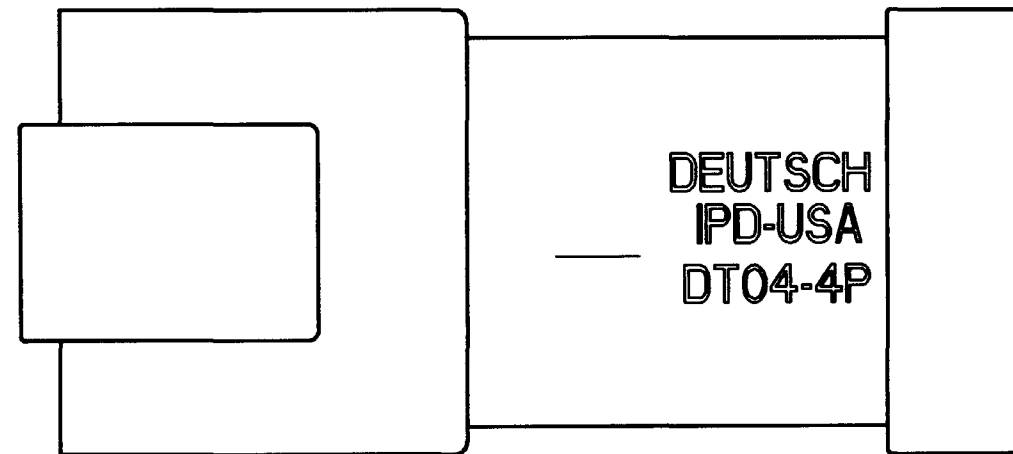
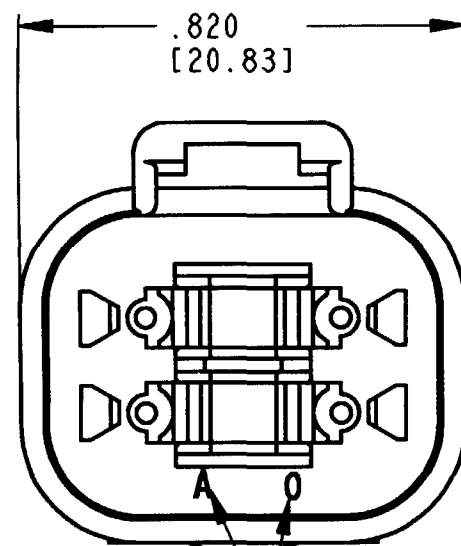
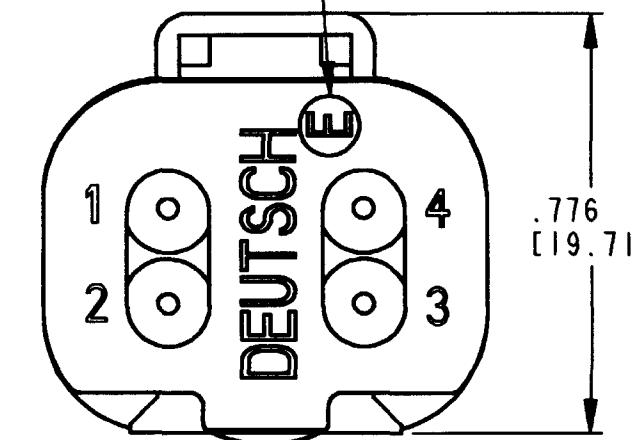


3D VIEW



REVISIONS			
SYM	DESCRIPTION	DATE	APPROVED
NC	NEW RELEASE PER E.O. P15823	11/20/98	RDR
A	REVISED PER E.O. P16393	1/5-99	RDR

THIS MARK DESIGNATES RECEPTACLE HAS REDUCED DIAMETER WIRE SEALS



CONTACT SIZE	MIN. INSUL O.D.	MAX. INSUL O.D.	WIRE RANGE [mm <sup>2</sup> ]
16	.053 [1.35]	.120 [3.05]	14-20 AWG [2.0-0.5]

DATE CODE: MONTH IS REPRESENTED BY SEQUENTIAL ALPHA CHARACTERS.  
 EX: A=JANUARY  
 YEAR IS REPRESENTED BY LAST DIGIT. EX: 0=2000

4. THIS RECEPTACLE MATES WITH DT06-4S-\*\*\*\* PLUG. (\*\*\*\* = ALL MODIFICATIONS). CONSULT FACTORY FOR MODIFICATIONS.

3. FOR CONTACTS AND WIRE PERFORMANCE AND APPLICATION CHARACTERISTICS SEE ENVELOPE DRAWING 0425-015-0000 AND 0425-017-0000.

2. DIMENSIONS ARE ±.025[0.63] UNLESS OTHERWISE SPECIFIED.

1. DIMENSIONS ARE IN INCHES [MILLIMETERS].

NOTES:

SIGNATURE & DATE	
DR	S. THEIS 11/4/99
CHK	D. Meyer 11/5/99
PE	S. Jones 11/4/99
APPD	R. Reed 11-5-99
SCALE	NONE WT

4 WAY RECEPTACLE WITH END CAP  
 THIN WALL WIRE SEALS  
 COLOR: BLACK  
 DT SERIES

ENVELOPE

CP	MATL. CODE
<b>The Deutsch Company</b> DEUTSCH I.P.D. 3850 INDUSTRIAL AVE. HEMET, CALIF. 92545	
<b>B</b>	<b>DT04-4P-CE03</b>
DWG. SIZE	CODE 11139 SHEET   OF