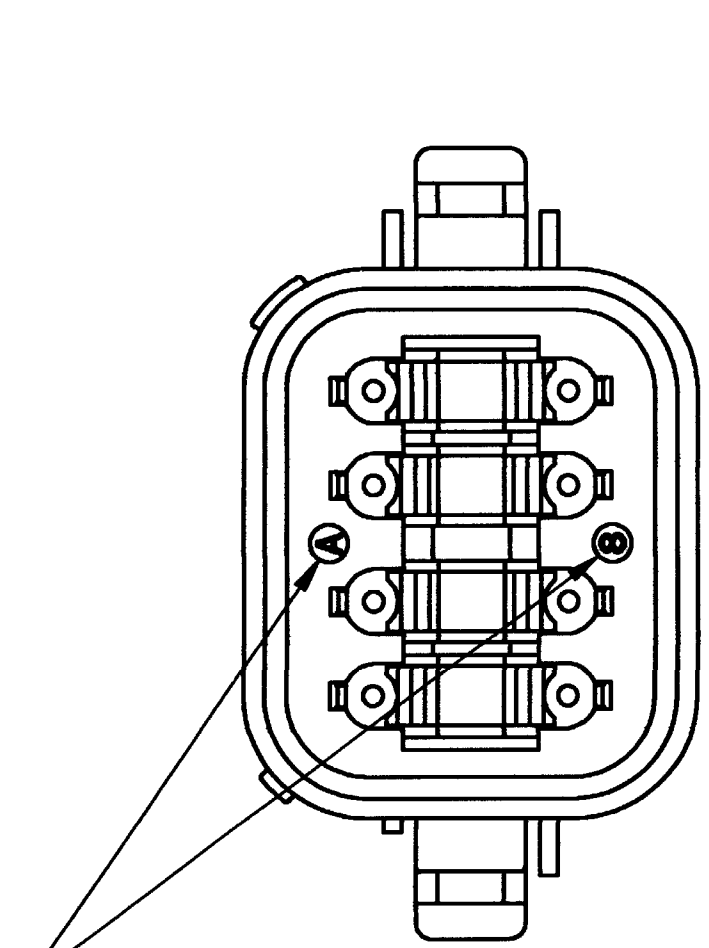
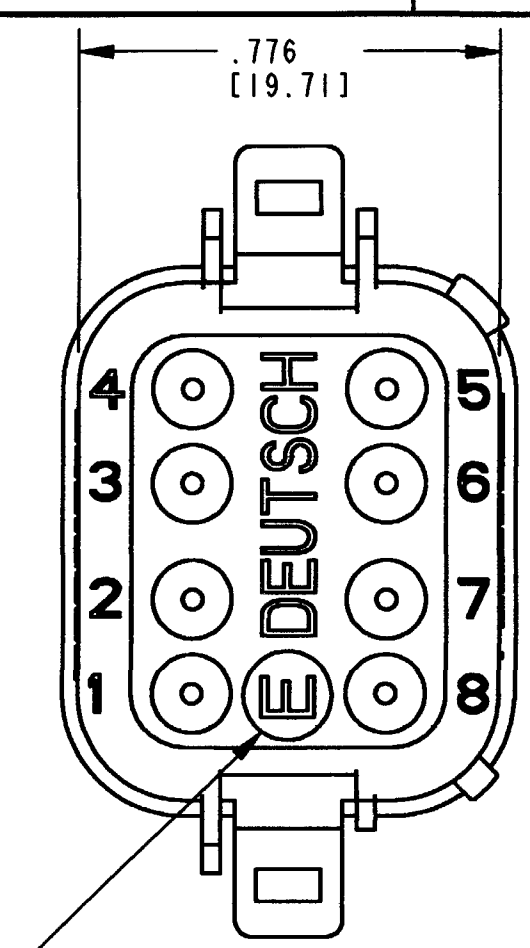
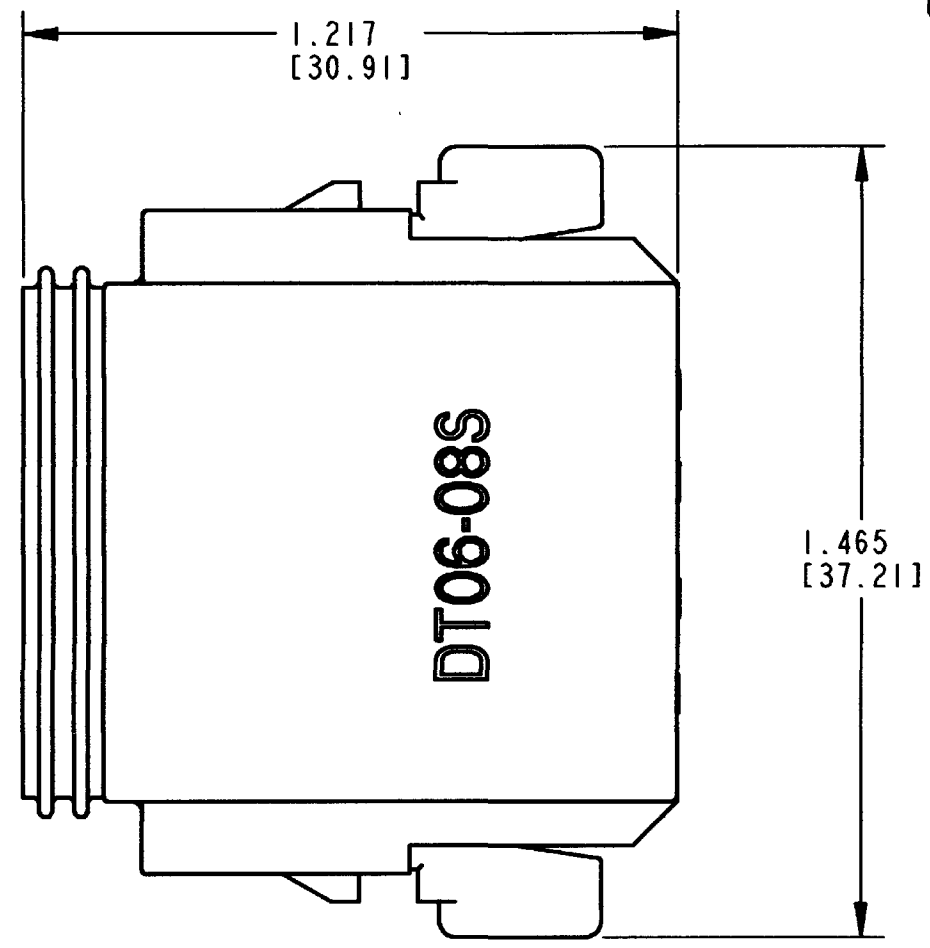


REV NC DT06-08S*-C015

| REVISIONS | | | |
|-----------|-----------------------------|---------|----------|
| SYM | DESCRIPTION | DATE | APPROVED |
| NC | REDRAWN / REPLACES PREVIOUS | | |
| | RELEASE PER E.O. P19917 | 6-25-08 | RDR |



DATE CODE: MONTH IS REPRESENTED BY SEQUENTIAL ALPHA CHARACTERS. EX: A = JANUARY
 YEAR IS REPRESENTED BY LAST NUMERICAL DIGIT
 EX: 8 = 2008



E- SYMBOL DESIGNATES REDUCED WIRE DIAMETER

| CONTACT SIZE | MIN. INSUL. O.D. | MAX. INSUL. O.D. | WIRE RANGE [mm ²] REF ONLY |
|--------------|------------------|------------------|--|
| 16 | .053 [1.35] | .120 [3.05] | 14-20 AWG [2.0-0.5] |

- 5. MATERIAL - SHELL: PLASTIC; SEAL: RUBBER
- 4. THIS PLUG MATES WITH DT04-08P*-**** RECEPTACLE (* = A,B,C,D KEYS; **** = ALL MODIFICATIONS) CONSULT FACTORY FOR MODIFICATIONS.
- 3. FOR CONTACTS AND WIRE PERFORMANCE AND APPLICATION CHARACTERISTICS SEE ENVELOPE DRAWINGS 0425-015-0000 AND 0425-017-0000.
- 2. DIMENSIONS ARE ±.025 [0.63] UNLESS OTHERWISE SPECIFIED.

NOTES: 1. DIMENSIONS ARE IN INCHES [MILLIMETERS].

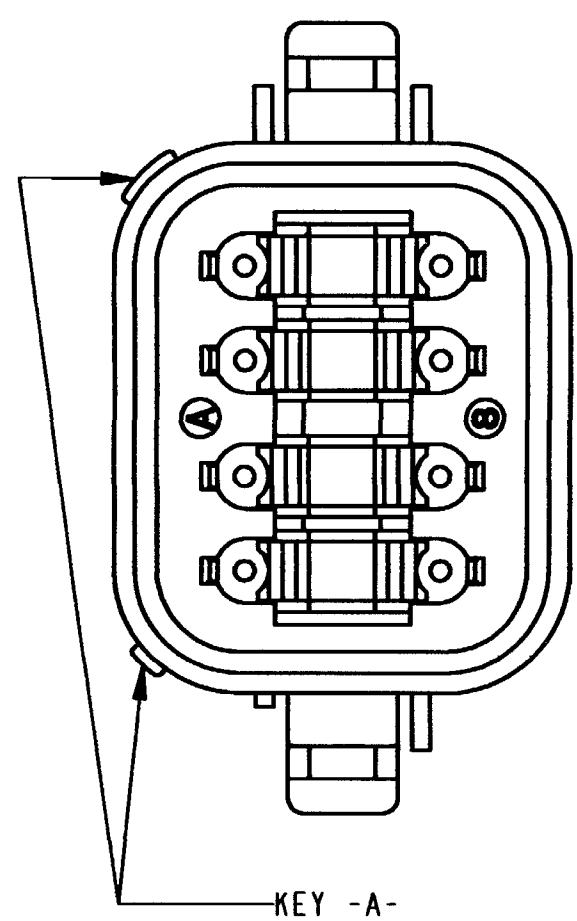
| SIGNATURE & DATE | |
|------------------|----------------------|
| DR | R. MESSENGER 6/18/08 |
| CHK | R. Whitacre 6/25/08 |
| PE | R. Messenger 6/25/08 |
| APPD | 6/25/08 |
| SCALE | NONE WT |

8 WAY PLUG
 E SEAL
 DT SERIES
 ENVELOPE

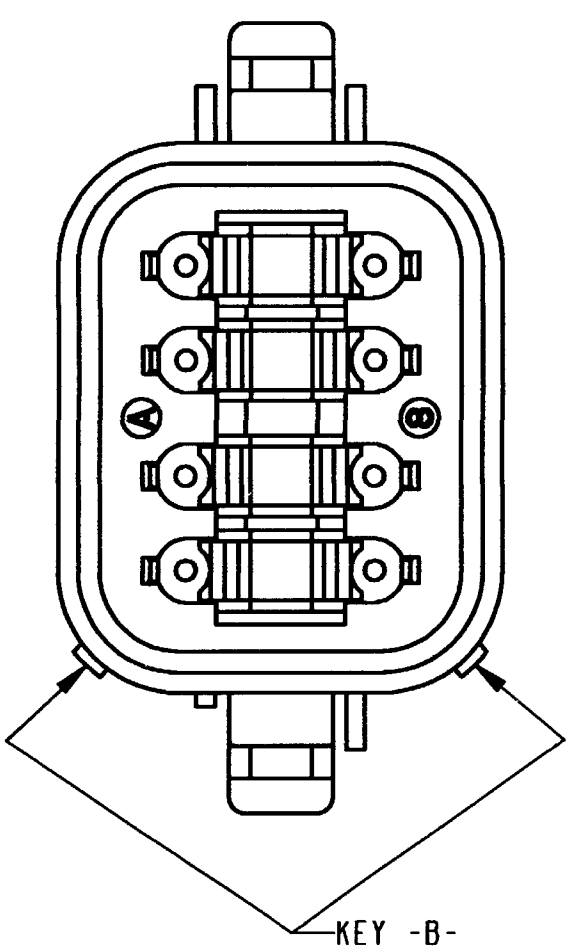
| | |
|---|-------------------------|
| EP | MATL. CODE |
| 3850 INDUSTRIAL AVE. HEMET, CA 92545 | |
| B DT06-08S*-C015 | |
| DWG SIZE | CODE 11139 SHEET 1 OF 2 |

| REV | | REVISIONS | | |
|-----|-----|-------------|---------|----------|
| NC | SYM | DESCRIPTION | DATE | APPROVED |
| | NC | SEE SHEET 1 | 6-25-08 | RBR |
| | | | | |
| | | | | |

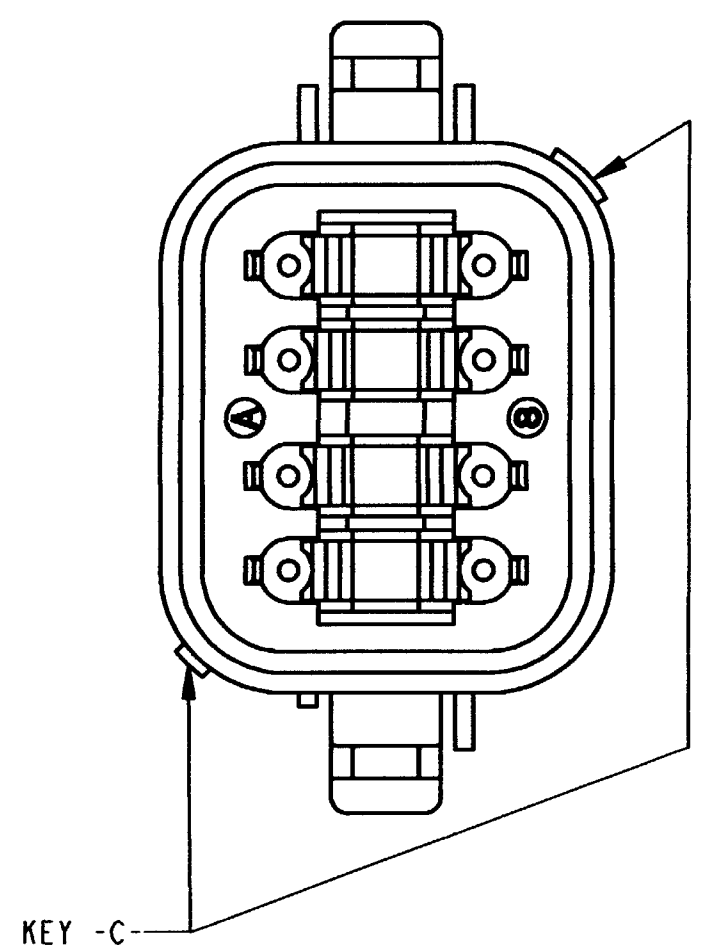
DT06-08SA-C015
COLOR: GRAY



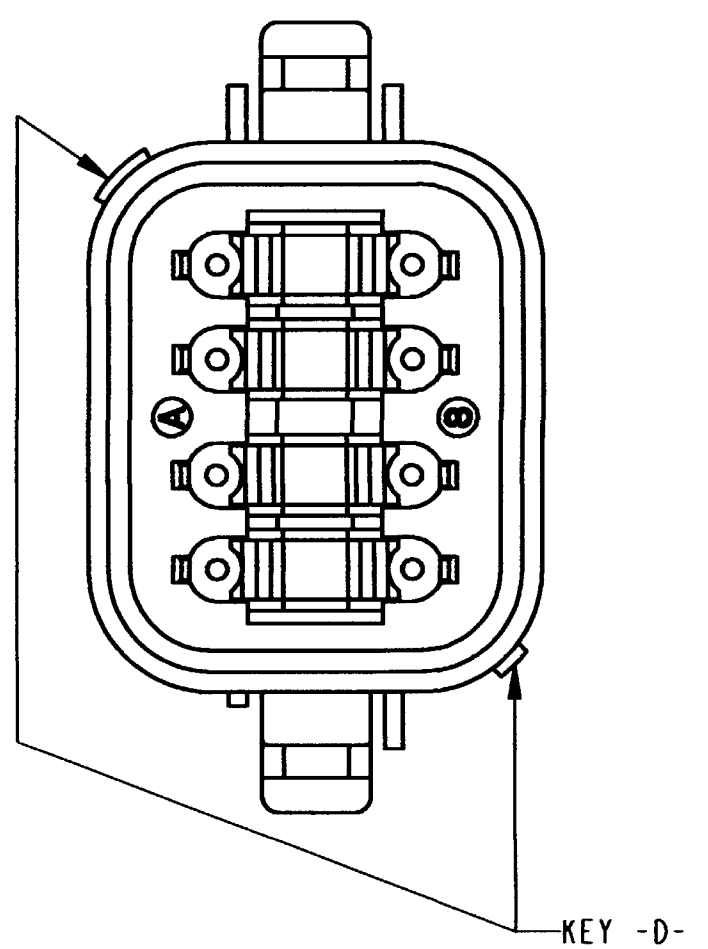
DT06-08SB-C015
COLOR: BLACK



DT06-08SC-C015
COLOR: GREEN



DT06-08SD-C015
COLOR: BROWN



NOTES:

| SIGNATURE & DATE | |
|------------------|----------------------|
| DR | R. MESSENGER 6/18/08 |
| CHK | R. Whitson 6/25/08 |
| PE | R. Messenger 6/25/08 |
| APPD | S. Boud 6-25-08 |
| SCALE | NONE WT |

8 WAY PLUG
E SEAL
DT SERIES

ENVELOPE

| | |
|---|-------------------------|
| EP | MATL. CODE |
| 3850 INDUSTRIAL AVE. HEMET, CA 92545 | |
| B DT06-08S*-C015 | |
| DWG SIZE | CODE 11139 SHEET 2 OF 2 |