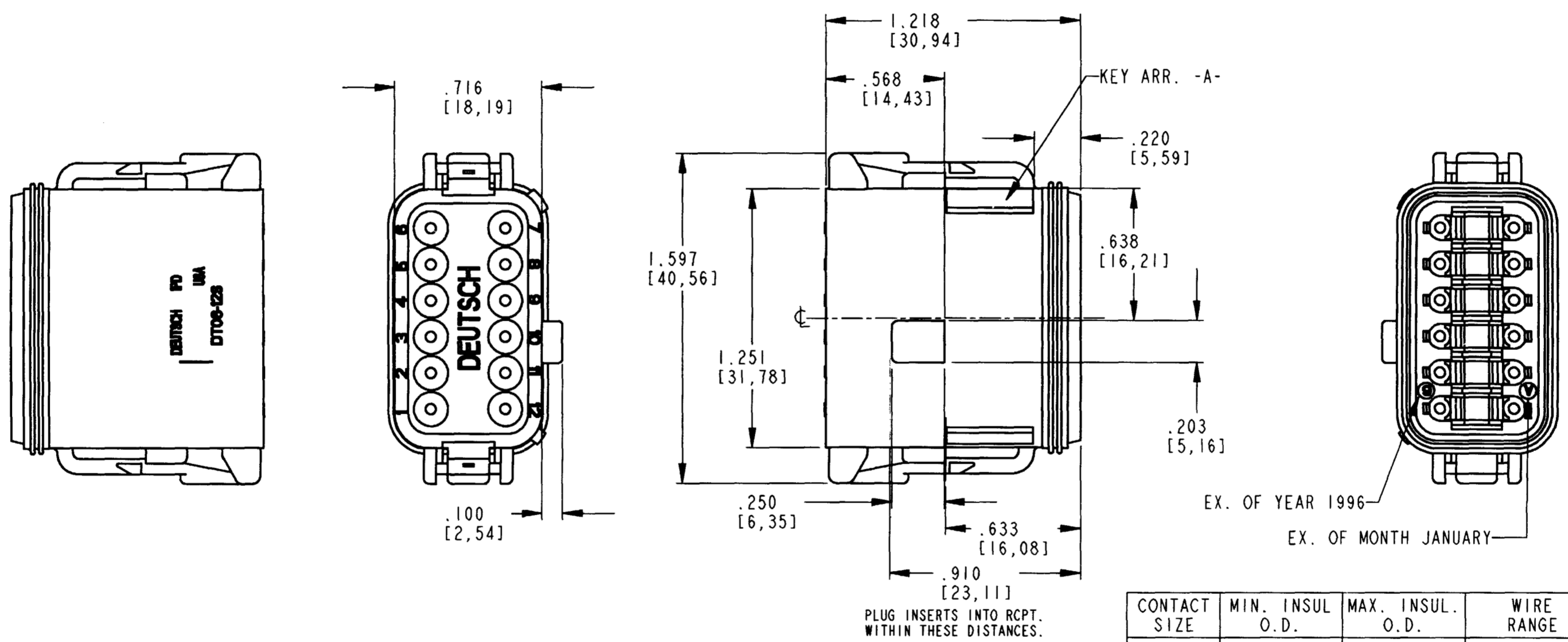


DATE LEGEND

YEAR IS REPRESENTED BY LAST NUMERICAL DIGIT
 MONTH USES SEQUENTIAL ALPHA CHARACTERS, EX: A=JANUARY...

REV	DT06-12SA-P012	REVISIONS			
C		SYM	DESCRIPTION	DATE	APPROVED
		NC	NEW RELEASE PER. E.O. P15089	7/10/96	RDR
		A	REVISED PER E.O. P15115	8/15/96	RDR
		B	REVISED PER E.O. P15409	9/16/97	RDR
		C	REVISED PER E.O. P15827	12-31-98	RDR



CONTACT SIZE	MIN. INSUL O.D.	MAX. INSUL O.D.	WIRE RANGE
16	.088 [2.23]	.145 [3.68]	14-18 AWG [2.0-0.75MM ²]

- 6. UTILIZES W12S-P012 WEDGE LOCK, SOLD SEPARATELY
- 5. THIS PLUG MATES WITH DT04-12PA-****, DT13-12PA, DT15-12PA, DT13-12PA-B016 DT15-12PA-B016 RECEPTACLE.
- 4. FOR MORE INFO SEE ENVELOPE DWG. 0425-017-0000 AND 0425-015-0000.
- 3. CONSULT FACTORY FOR CONTACT SPECIFICATION AND APPLICATION.
- 2. ALL DIMENSIONS ARE ±.025[.63].
- 1. ALL DIMENSIONS ARE IN INCHES [MILLIMETERS].

NOTES:

SIGNATURE & DATE	
DR	S. THEIS 8/28/97
CHK	<i>S. Theis</i> 12-31-98
PE	<i>S. Theis</i> 12-31-98
APPD	<i>R. Reed</i> 12-31-98
SCALE	NONE WT

12 WAY PLUG
 -P012 MOD.
 KEY ARR. -A-
 COLOR: GREY
 D.T. SERIES

ENVELOPE

CP	MATL. CODE
The Deutsch Company	
DEUTSCH I.P.D. 3850 INDUSTRIAL AVE. HEMET, CALIF. 92545	
B	DT06-12SA-P012
DWG SIZE	CODE 11139 SHEET OF