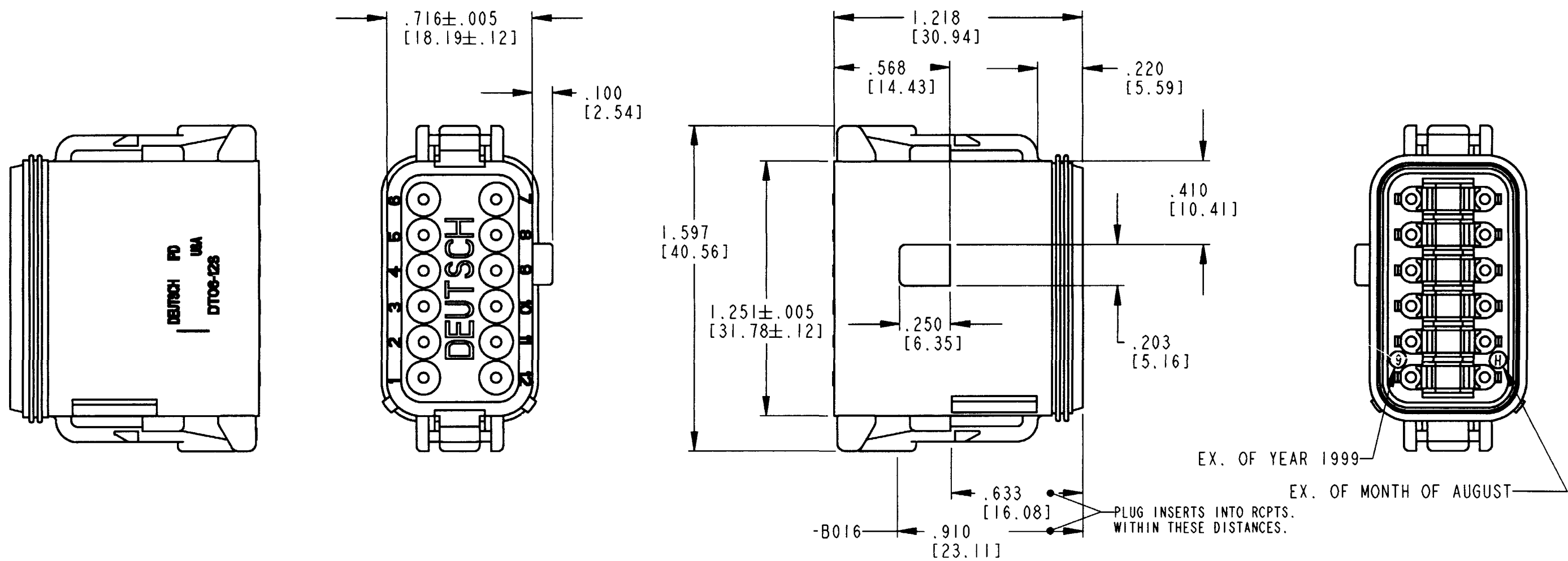


DATE LEGEND

YEAR IS REPRESENTED BY LAST NUMERICAL DIGIT
 MONTH USES SEQUENTIAL ALPHA CHARACTERS, EX: A=JANUARY...

REV		REVISIONS		
SYM	DESCRIPTION	DATE	APPROVED	
C	DT06-12SB-P012			
NC	NEW RELEASE PER. E.O. 15089	7/10/96	RDR	
A	REVISED PER E.O. P15115	8/15/96	RDR	
B	REVISED PER E.O. P15409	9/16/97	RDR	
C	REVISED PER E.O. P15827	12-31-98	RDR	



CONTACT SIZE	MIN. INSUL. O.D.	MAX. INSUL. O.D.	WIRE RANGE
16	.088 [2.23]	.145 [3.68]	14-18 AWG [2.0-0.75mm ²]

- NOTES:
1. ALL DIMENSIONS ARE IN INCHES [METRIC].
 2. ALL DIMENSIONS ARE ±.025[.63].
 3. CONSULT FACTORY FOR CONTACT SPECIFICATION AND APPLICATION.
 4. FOR MORE INFO SEE ENVELOPE DWG. 0425-017-0000 AND 0425-015-0000.
 5. THIS PLUG MATES WITH DT04-12PB-****, DT13-12PB, DT15-12PB, DT13-12PB-B016, DT15-12PB-B016 RECEPTACLE.
 6. W12-P012 WEDGE LOCK SOLD SEPARATELY.

SIGNATURE & DATE		12 WAY PLUG -P012 MOD. KEY ARR. -B- COLOR: BLACK D.T. SERIES	CP	MATL. CODE	
DR	S. THEIS 8/28/97		The Deutsch Company DEUTSCH I.P.D. 3850 INDUSTRIAL AVE. HEMET, CALIF. 92545		
CHK	<i>S. Theis 12-31-98</i>		B	DT06-12SB-P012	
PE	<i>S. Theis 12-31-98</i>			DWG. SIZE	CODE 11139 SHEET OF
APPD	<i>R. Reed 12-31-98</i>	ENVELOPE			
SCALE	NONE	WT			