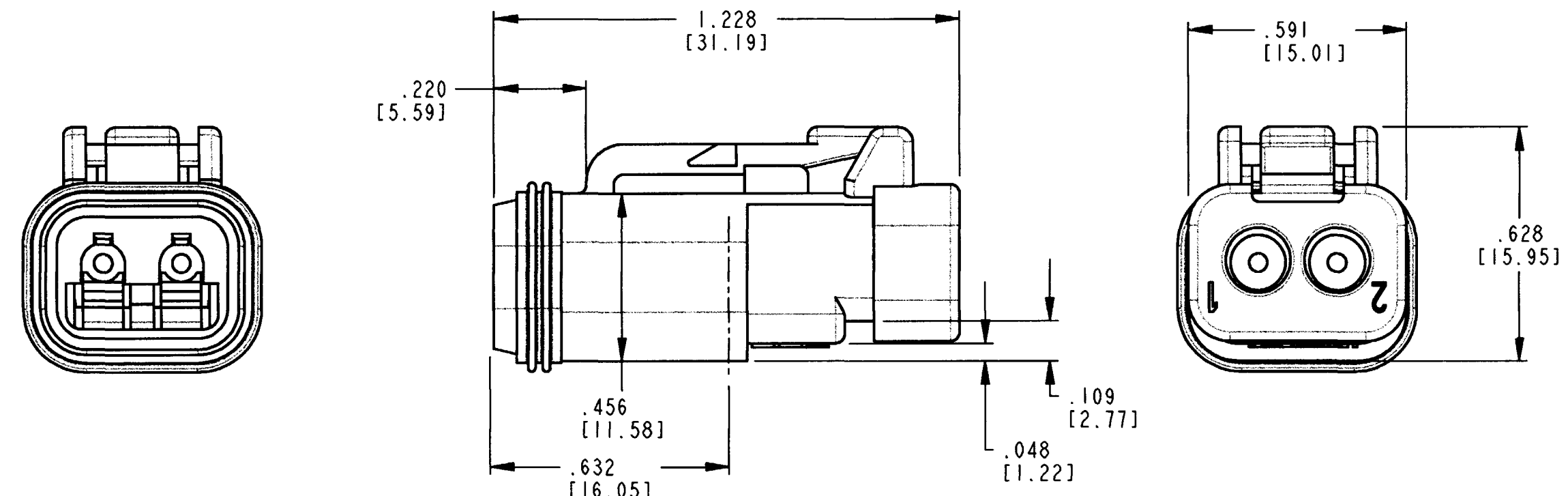


REV
A
DT06-2S-EP06

REVISIONS			
SYM	DESCRIPTION	DATE	APPROVED
NC	NEW RELEASE PER E.O. P15141	1-31-97	R.R.
A	REVISED PER E.O. P15827	12-31-98	RDR



PLUG INSERTS INTO RECEPT.
WITHIN THIS DISTANCE.

CONTACT SIZE	MIN. INSUL. O.D.	MAX. INSUL. O.D.	WIRE RANGE
16	.088 [2.23]	.145 [3.68]	14-18 AWG [2.0-0.75mm ²]

- 5. THIS PLUG MATES WITH DT04-2P-E005, DT13-2P-E004, DT15-2P-E004 RECEPTACLE.
- 4. FOR CONTACT AND WIRE PERFORMANCE AND APPLICATION CHARACTERISTICS SEE ENVELOPE DRAWING 0425-015-0000 AND 0425-017-0000.
- 3. WEDGE LOCK W2S-P012 SOLD SEPARATELY.
- 2. DIMENSION TOLERANCE: ±.025 [0.63].

NOTES: 1. DIMENSIONS ARE IN INCHES [METRIC].

SIGNATURE & DATE	
DR	H. TRAN OCT-14-96
CHK	<i>[Signature]</i> 12-4-98
PE	<i>[Signature]</i> 12-16-98
APPD	<i>[Signature]</i> 12-31-98
SCALE	WT

2 WAY PLUG
WITH END CAP
COLOR: BLACK
DT SERIES

ENVELOPE

CP	MATL. CODE
The Deutsch Company DEUTSCH I.P.D. 3850 INDUSTRIAL AVE. HEMET, CALIF. 92545	
B	DT06-2S-EP06
DWG SIZE	CODE 11139 SHEET OF