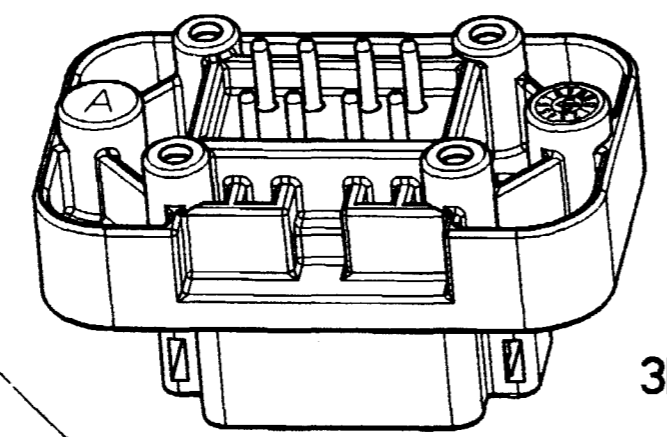
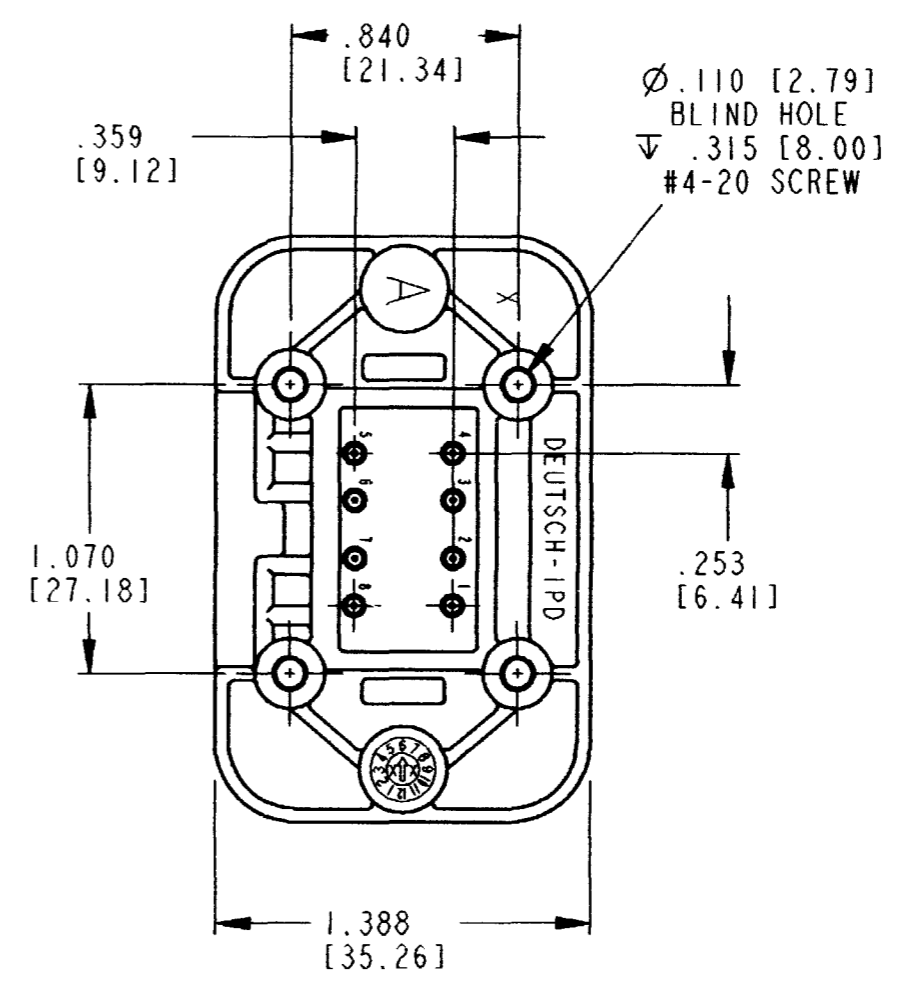
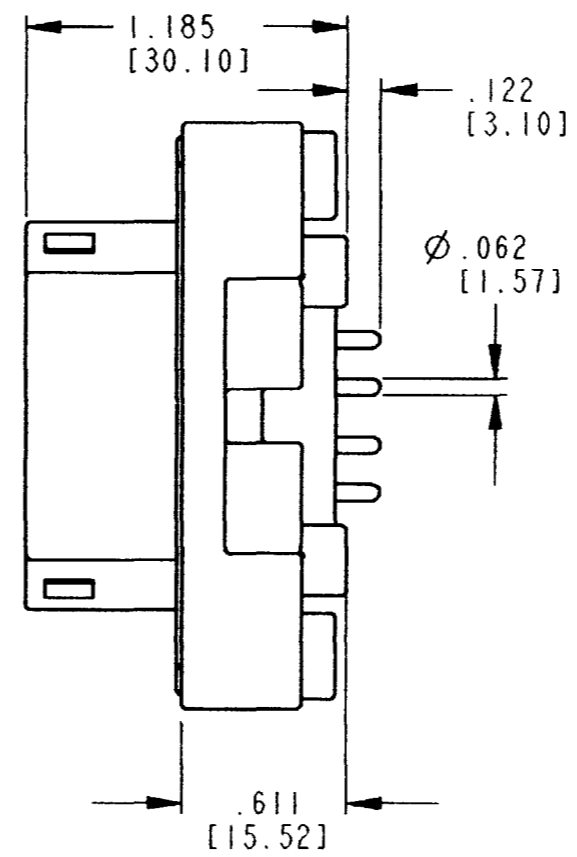
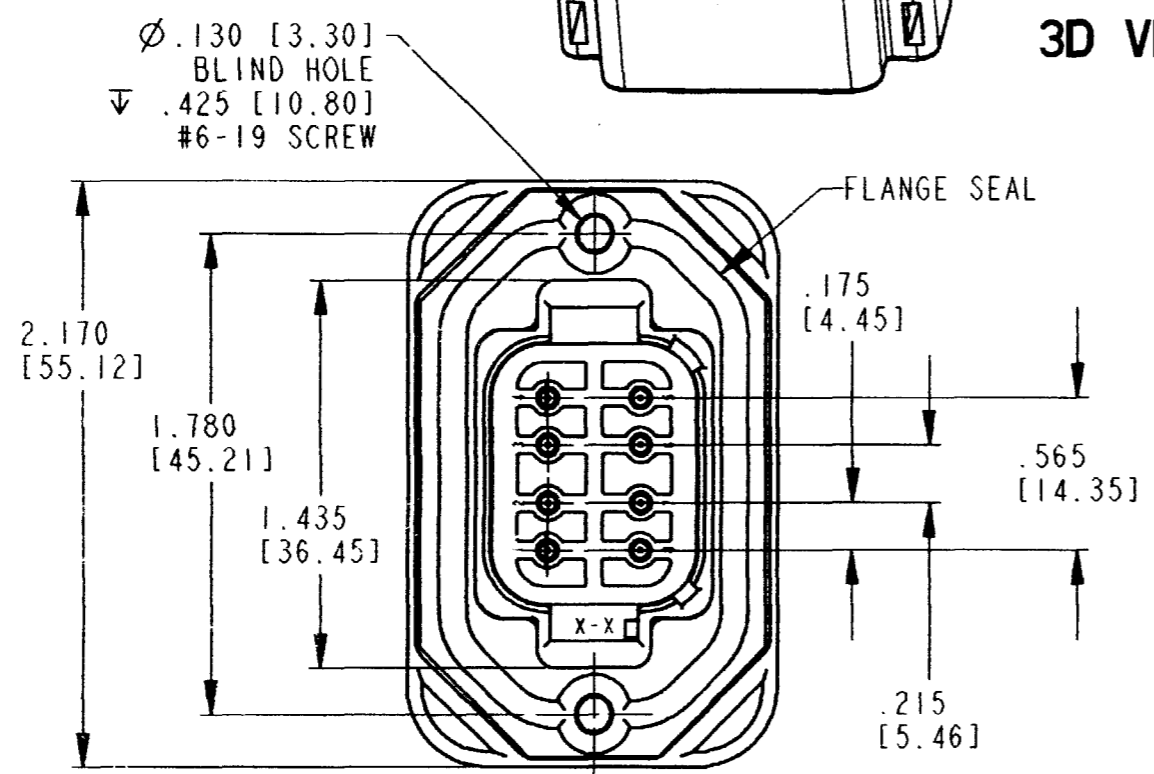


REV D DT15-08P*

REVISIONS			
SYM	DESCRIPTION	DATE	APPROVED
A	REVISED PER E.O. A14754	10/28/94	R.R.
B	REACTIVATED PER E.O. P17409	10/23/01	R.D.R.
C	REVISED PER E.O. P 18200	6/16/03	RDR
D	REVISED PER E.O. P19401	11-20-06	RDR



3D VIEW



- 6. MOUNTING SCREW TORQUE VALUES ARE AS FOLLOWS:
 #6-19 SCREWS: 13±2.0 IN-LB [1.47±.23 N-M].
 #4-20 SCREWS: 8±2.0 IN-LB [0.90±.23 N-M].
 VALUES VALID FOR PLASTITE 48 SCREWS ONLY.
- 5. RECOMMENDED MOUNTING SCREWS (NOT INCLUDED): CAMCAR PLASTITE 48.
- 4. THIS RECEPTACLE MATES WITH DT06-08S*-**** PLUG (**** = ALL MODIFICATIONS.)
- 3. SHELL MATERIAL: PLASTIC; FLANGE SEAL MATERIAL: RUBBER.
- 2. DIMENSION TOLERANCE: ±.025 [.64], PANEL CUTOUT ±.010 [.25].
- 1. DIMENSIONS ARE IN INCHES [mm].

NOTES:

SIGNATURE & DATE	
DR	K. MCKEE 10/20/06
CHK	Dennis C. Gopert 11/16/06
PE	K. McKee 11-10-06
APPD	S. Bend 11-14-06
SCALE	NONE WT

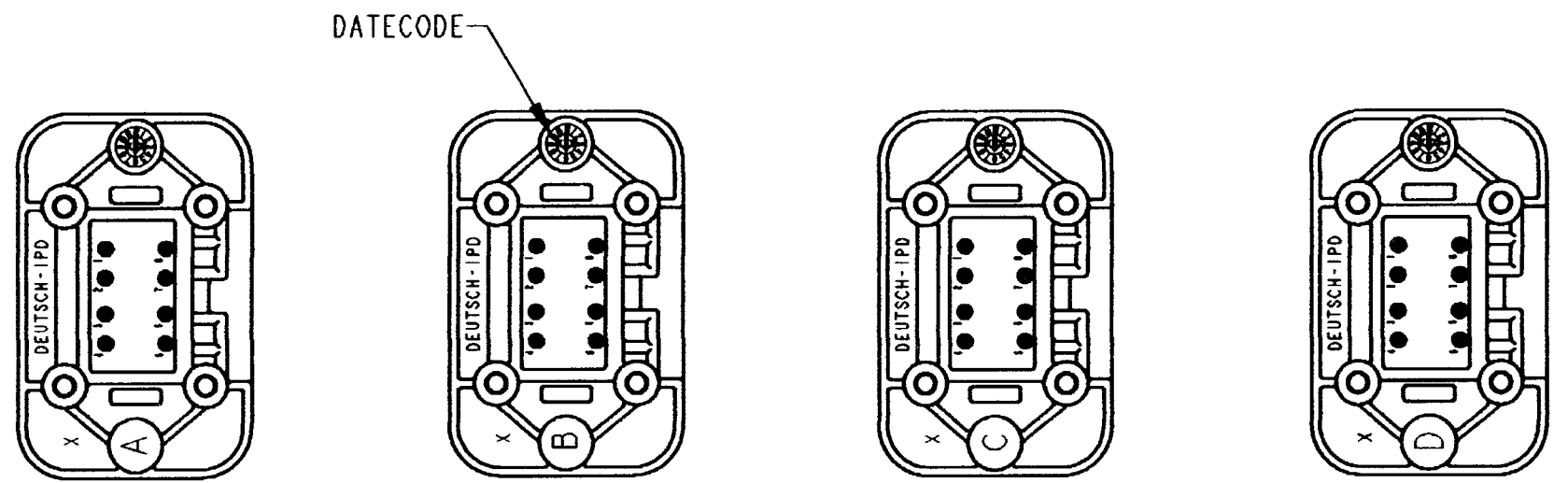
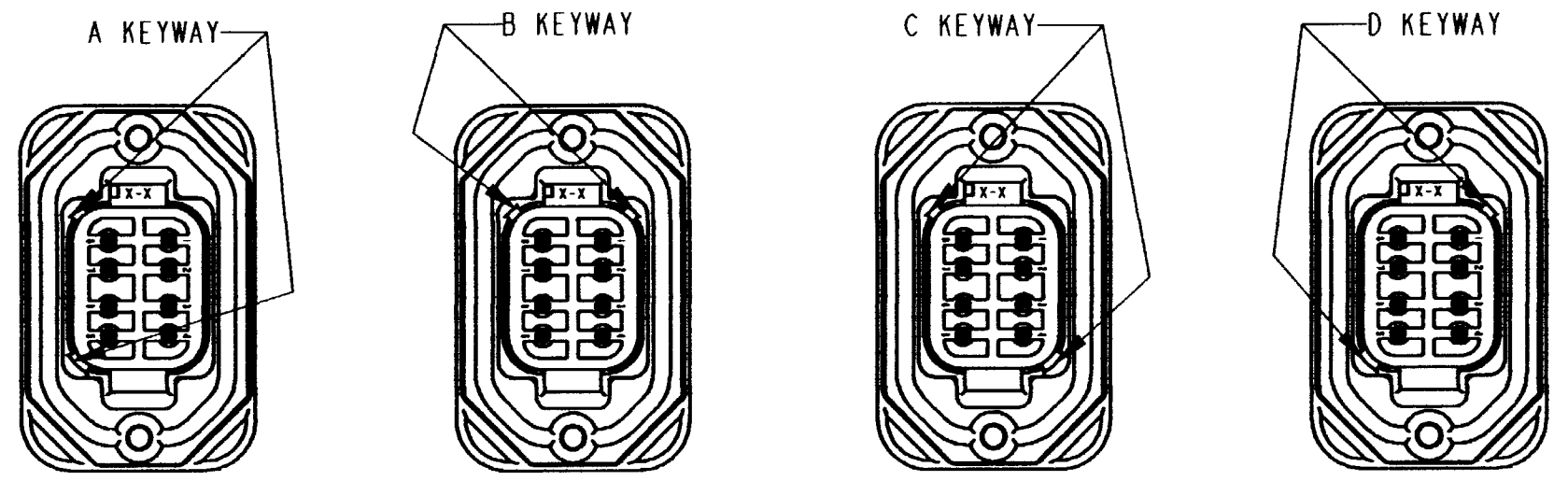
**PCB MOUNT
RECEPTACLE
8-PINS STRAIGHT
DT SERIES**

ENVELOPE

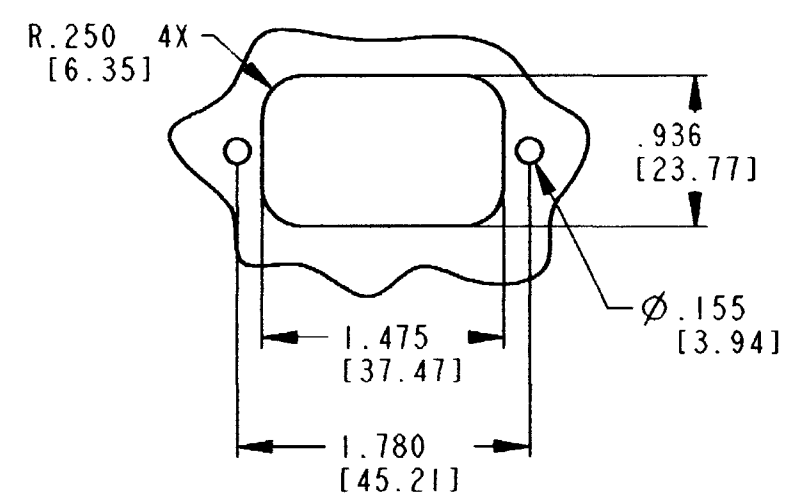
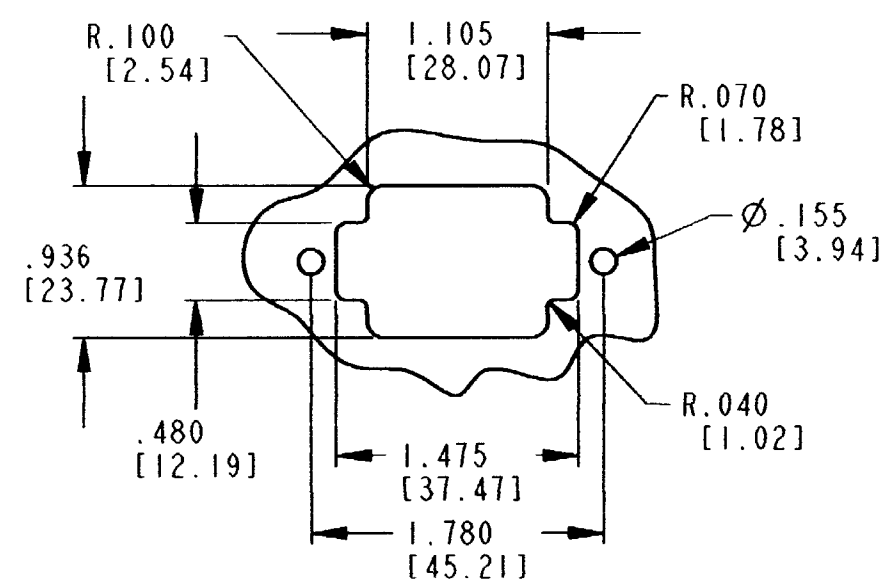
EP	MATL. CODE
The Deutsch Company DEUTSCH I.P.D. 3850 INDUSTRIAL AVE. HEMET, CALIF. 92545	
B	DT15-08P*
DWG. SIZE	CODE 11139 SHEET 1 OF 2

REV
D DT15-08P *

REVISIONS			
SYM	DESCRIPTION	DATE	APPROVED
D	SEE SHEET ONE	11-20-06	RDR



DT15-08PA COLOR GREY
DT15-08PB COLOR BLACK
DT15-08PC COLOR GREEN
DT15-08PD COLOR BROWN



NOTES:

SIGNATURE & DATE	
DR	K. McKEE 10/20/06
CHK	Jamie C. Spentel 11/16/06
PE	K. McKee 11/10/06
APPD	S. Beard 11/14/06
SCALE	NONE
WT	

PCB MOUNT
RECEPTACLE
8-PINS STRAIGHT
DT SERIES

ENVELOPE

EP	MATL. CODE
The Deutsch Company DEUTSCH I.P.D. 3850 INDUSTRIAL AVE. HEMET, CALIF. 92545	
B	DT15-08P *
DWG SIZE	CODE 11139 SHEET 2 OF 2