

4

3

2

1

THIS DRAWING IS UNPUBLISHED

RELEASED FOR PUBLICATION

2016

© COPYRIGHT 2016 BY TE CONNECTIVITY

ALL RIGHTS RESERVED.

LOC DIST

REVISIONS

P	LTR	DESCRIPTION	DATE	DWN	APVD
C1		REVISED PER ECO-14-010107	03JUL2014	JA	DM
C2		REVISED PER ECO-16-006330	24MAR2016	VNB	DM
C3		REVISED PER ECO-16-009538	24JUN2016	JA	DM

FLANGE SEAL  
1013-006-1206

2.331 [59.21]

1.597 [40.56]

1.941 [49.30]

.175 [4.45]

.525 [13.34]

.875 [22.23]

2X  $\varnothing$ .122 [3.10]  
BLIND HOLE  
 $\nabla$ .440 [11.18]  
#6-19 SCREW

PIN 1

HOUSING

1.186 [30.12]

.122 [3.10]

$\varnothing$ .062 $\pm$ .002 [1.57 $\pm$ 0.05]

4X  $\varnothing$ .110 $\pm$ .005 [2.79 $\pm$ 0.12]  
BLIND HOLE  
 $\nabla$ .315 [8.00]  
#4-20 SCREW

.611 [15.52]

.840 [21.34]

.359 [9.12]

1.381 [35.08]

.253 [6.43]

1.388 [35.26]

DEUTSCH-1PD

PIN 1

7. SEE SHEET 2 FOR OTHER KEY ARRANGEMENTS.

6. MOUNTING SCREW TORQUE VALUES ARE AS FOLLOWS:  
#6-19 SCREWS: 11-15 IN-LB [1.24-1.70 N-m].  
#4-20 SCREWS: 6-10 IN-LB [.68-1.13 N-m].  
VALUES VALID FOR PLASTITE 48 SCREWS ONLY.

5. RECOMMENDED MOUNTING SCREWS (NOT INCLUDED): CAMCAR PLASTITE 48, SINGLE HELIX.

4. THIS RECEPTACLE MATES WITH DT06-12SX-XXXX PLUG (X = A,B,C,D KEYS, XXXX = ALL MODIFICATIONS).

3. CONTACT PLATING - MATING SIDE: NICKEL; PCB SIDE: TIN

TE INTERNAL PN	DEUTSCH PN
DT15-12PA	DT15-12PA
DT15-12PB	DT15-12PB
DT15-12PC	DT15-12PC
DT15-12PD	DT15-12PD

2 MATERIALS:  
HOUSING/PIN SPACER: PA46 GF30 (SEE SHEET 2 FOR COLORS)  
FLANGE SEAL: VMQ (RED-ORANGE)  
PIN CONTACTS: COPPER ALLOY

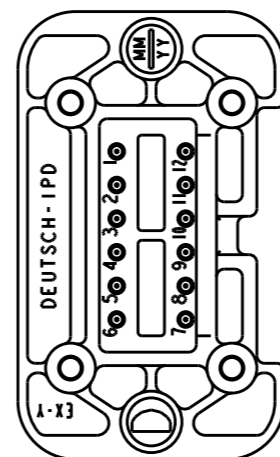
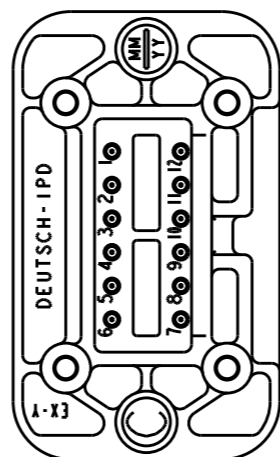
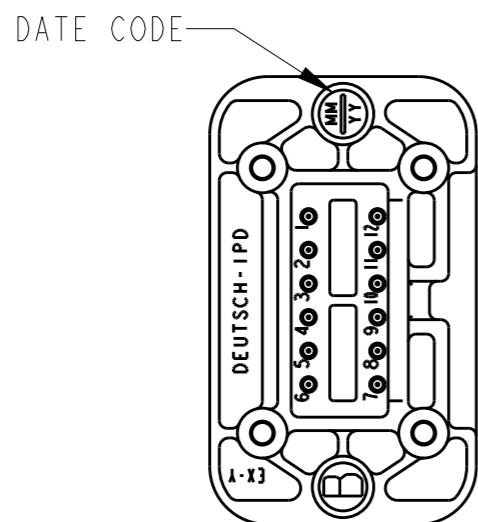
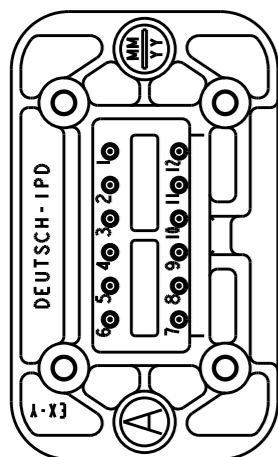
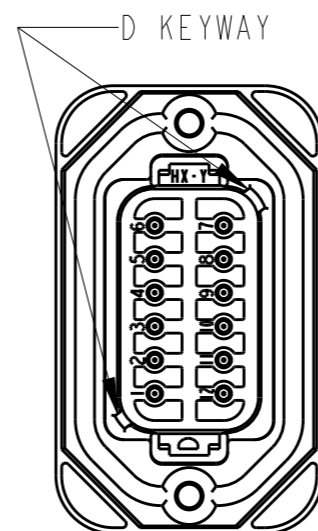
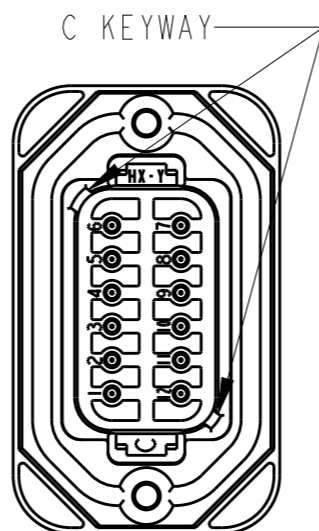
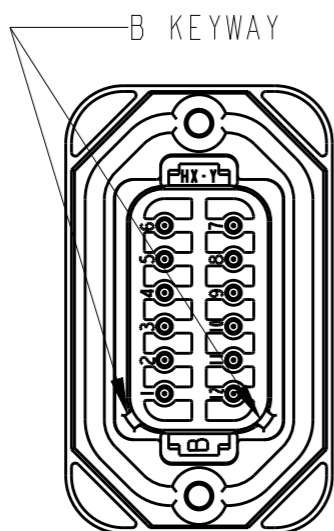
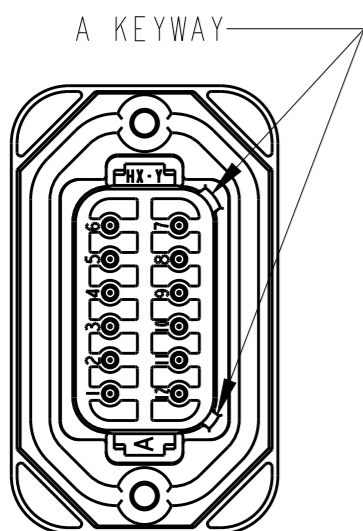
1 DIMENSION TOLERANCE:  $\pm$ .025 [.64]  
PANEL CUTOUT:  $\pm$ .010 [.25]  
PIN LOCATIONS:  $\pm$ .005 [.13]  
MOUNTING HOLE LOCATIONS:  $\pm$ .010 [.13]

NOTES:

THIS DRAWING IS A CONTROLLED DOCUMENT.		DWN P. BURKE 08JUN2001																
DIMENSIONS: INCHES [mm]		CHK KEVIN MCKEE 03JUL2014																
TOLERANCES UNLESS OTHERWISE SPECIFIED:		APVD DAVID MEYER 03JUL2014	NAME RECEPTACLE HEADER 12 PIN 180 DEG DT SERIES															
<table border="1"> <tr> <td>0 PLC</td> <td><math>\pm</math></td> <td rowspan="5"> </td> </tr> <tr> <td>1 PLC</td> <td><math>\pm</math></td> </tr> <tr> <td>2 PLC</td> <td><math>\pm</math></td> </tr> <tr> <td>3 PLC</td> <td><math>\pm</math></td> </tr> <tr> <td>4 PLC</td> <td><math>\pm</math></td> </tr> <tr> <td>ANGLES</td> <td><math>\pm</math></td> <td><math>\pm 0^{\circ}30'0''</math></td> </tr> </table>		0 PLC	$\pm$		1 PLC	$\pm$	2 PLC	$\pm$	3 PLC	$\pm$	4 PLC	$\pm$	ANGLES	$\pm$	$\pm 0^{\circ}30'0''$	PRODUCT SPEC	RESTRICTED TO	
0 PLC	$\pm$																	
1 PLC	$\pm$																	
2 PLC	$\pm$																	
3 PLC	$\pm$																	
4 PLC	$\pm$																	
ANGLES	$\pm$	$\pm 0^{\circ}30'0''$																
MATERIAL		APPLICATION SPEC	SIZE A3	CAGE CODE 4AFU8	DRAWING NO DT15-12PX													
FINISH		WEIGHT	SCALE 3:2		SHEET 1 OF 2													
2		CUSTOMER DRAWING	REV C3															

1470-19 (3/11)

LOC		DIST		REVISIONS			
P	LTR	DESCRIPTION	DATE	DWN	APVD		
	-	SEE SHEET 1	-	-	-		

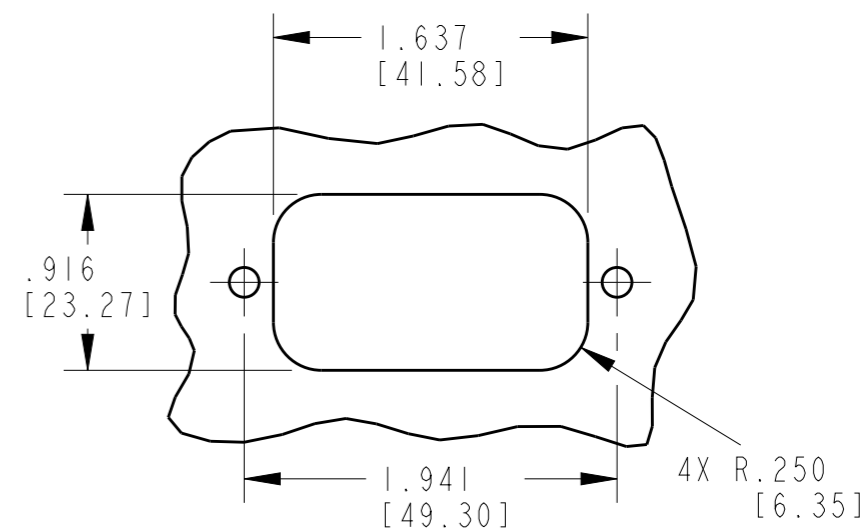
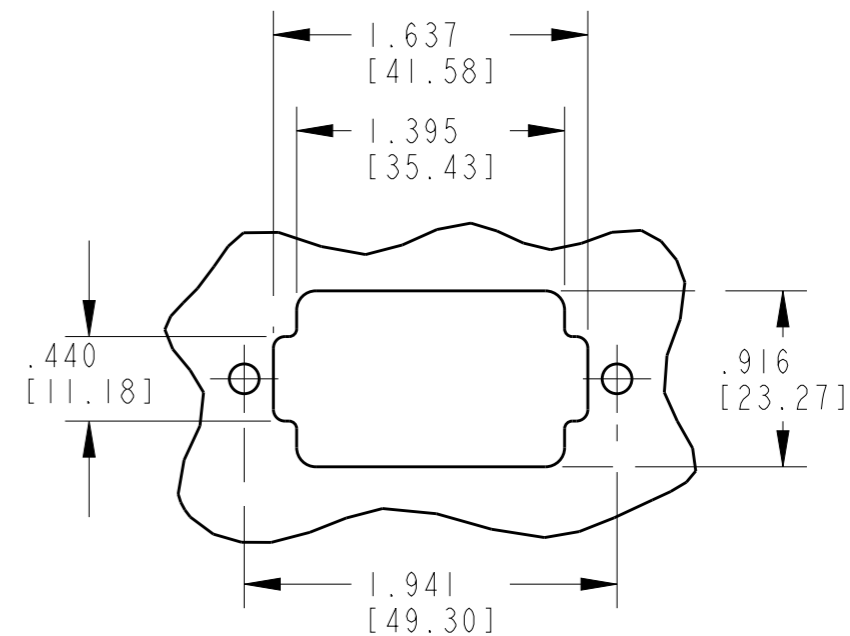


**DT15-12PA**  
**COLOR GREY**

**DT15-12PB**  
**COLOR BLACK**

**DT15-12PC**  
**COLOR GREEN**

**DT15-12PD**  
**COLOR BROWN**



**RECOMMENDED PANEL CUTOUTS**

THIS DRAWING IS A CONTROLLED DOCUMENT.		DWN P. BURKE 08JUN2001	<b>TE Connectivity</b>	
DIMENSIONS: INCHES [mm]		CHK KEVIN MCKEE 03JUL2014		
TOLERANCES UNLESS OTHERWISE SPECIFIED:		APVD DAVID MEYER 03JUL2014	NAME RECEPTACLE HEADER 12 PIN 180 DEG DT SERIES	
0 PLC ± 1 PLC ± 2 PLC ± 3 PLC ± 4 PLC ± ANGLES ±0°30'0"		PRODUCT SPEC	RESTRICTED TO	
MATERIAL		APPLICATION SPEC	SIZE A3	CAGE CODE 4AFU8
FINISH		WEIGHT	DRAWING NO DT15-12PX	
2		CUSTOMER DRAWING	SCALE 1:1	SHEET 2 OF 2
			REV C3	