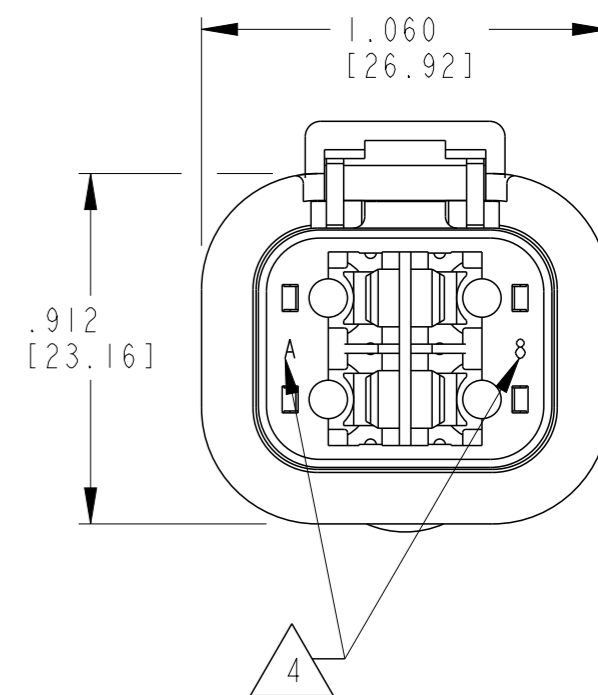
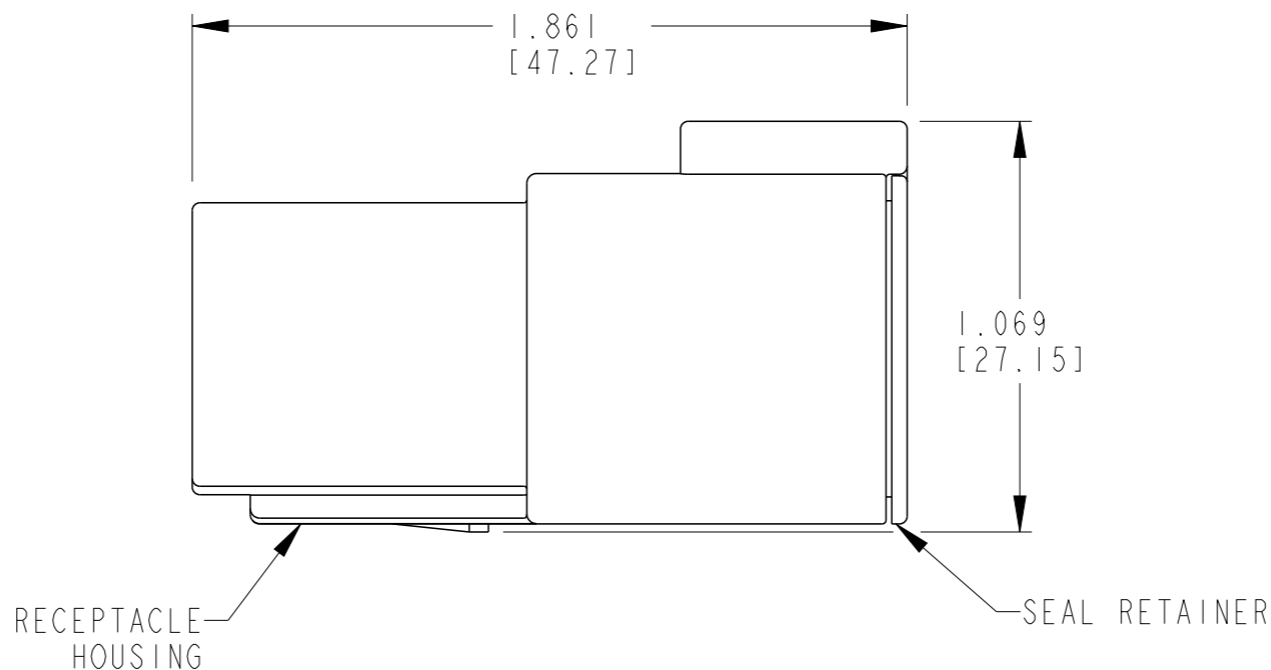
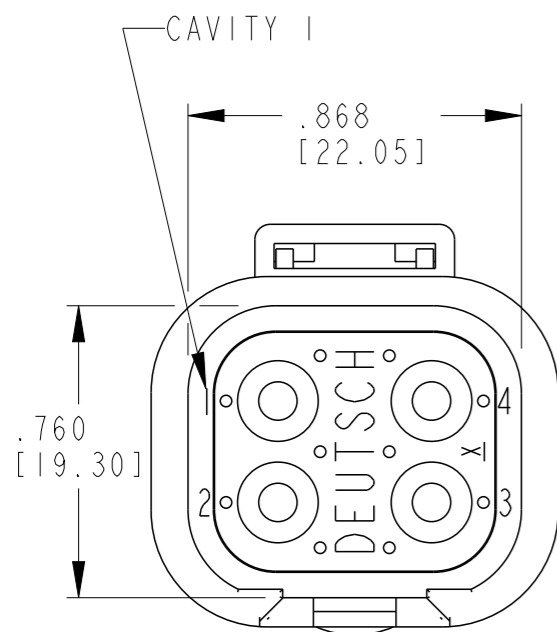


THIS DRAWING IS UNPUBLISHED. RELEASED FOR PUBLICATION 2015. © COPYRIGHT 2015 BY - TE CONNECTIVITY ALL RIGHTS RESERVED.

LOC	DIST	REVISIONS					
		P	LTR	DESCRIPTION	DATE	DWN	APVD
-	-		NC	NEW RELEASE PER E.O. PI6220	05AUG1999	-	RDR
			A	REVISED PER E.O. PI7224	13APR2001	-	RDR
			B	REVISED PER E.O. PI7309	14JUN2001	-	RDR
			C	REVISED PER ECO-15-003592	09APR2015	VNB	DM



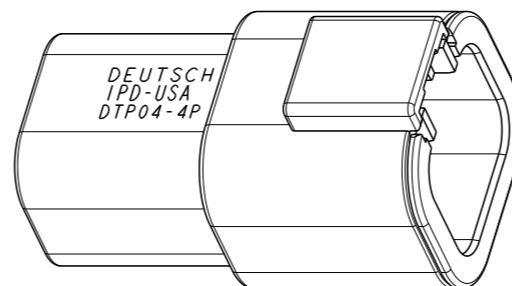
4. DATE CODE: MONTH IS REPRESENTED BY SEQUENTIAL ALPHA CHARACTERS. EX: A=JANUARY. YEAR IS REPRESENTED BY THE LAST DIGIT. EX: 8=2008

3. THE RECEPTACLE MATES WITH DTP06-4S-XXXX PLUG (XXXX = ALL MODIFICATIONS)

2. MATERIAL:
 RECEPTACLE: PA66 GF15 (BLACK)
 SEAL RETAINER: PA66 GF15 (BLACK)
 INTERFACE SEAL: SILICONE, PHENYL FLUID LUBED (GREEN)

1. SECONDARY WEDGE LOCK SOLD SEPARATELY: WP-4P-XXXX (XXXX = ALL MODIFICATIONS)

NOTES: UNLESS OTHERWISE SPECIFIED



	TE INTERNAL PN	DEUTSCH PN	
	DTP04-4P-E004	DTP04-4P-E004	
CONTACT SIZE	MIN. INSUL. O.D.	MAX INSUL. O.D.	WIRE RANGE [mm ²] REF ONLY
12	.134 [3.40]	.170 [4.32]	10-14 AWG [5.0-2.0]

THIS DRAWING IS A CONTROLLED DOCUMENT.		DWN D. MEYER 30JUL1999	TE TE Connectivity			
DIMENSIONS: INCHES [mm]		CHK S. THEIS 03AUG1999				
TOLERANCES UNLESS OTHERWISE SPECIFIED:		APVD R. REED 05AUG1999	NAME RECEPTACLE 4 CONTACTS, SIZE 12 DTP SERIES			
0 PLC ± -		PRODUCT SPEC -				
1 PLC ± -		APPLICATION SPEC 0425-015-0000	SIZE A3	CAGE CODE 4AFU8	DRAWING NO. DTP04-4P-E004	RESTRICTED TO -
2 PLC ± -		WEIGHT 17.6g	SCALE 2:1		SHEET 1 OF 1	REV C
3 PLC ± 0.025 [0.64]		Customer Drawing				
4 PLC ± -						
ANGLES ± -						
FINISH -						