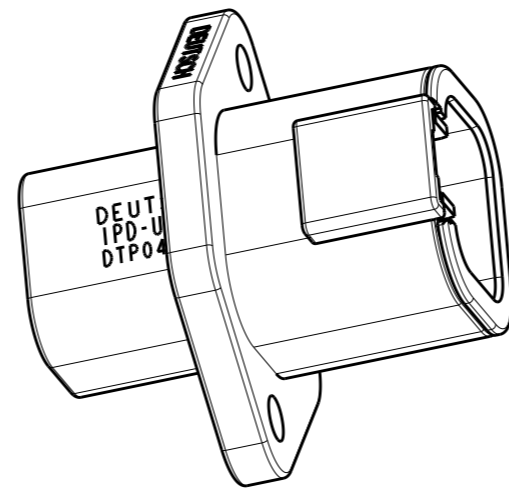
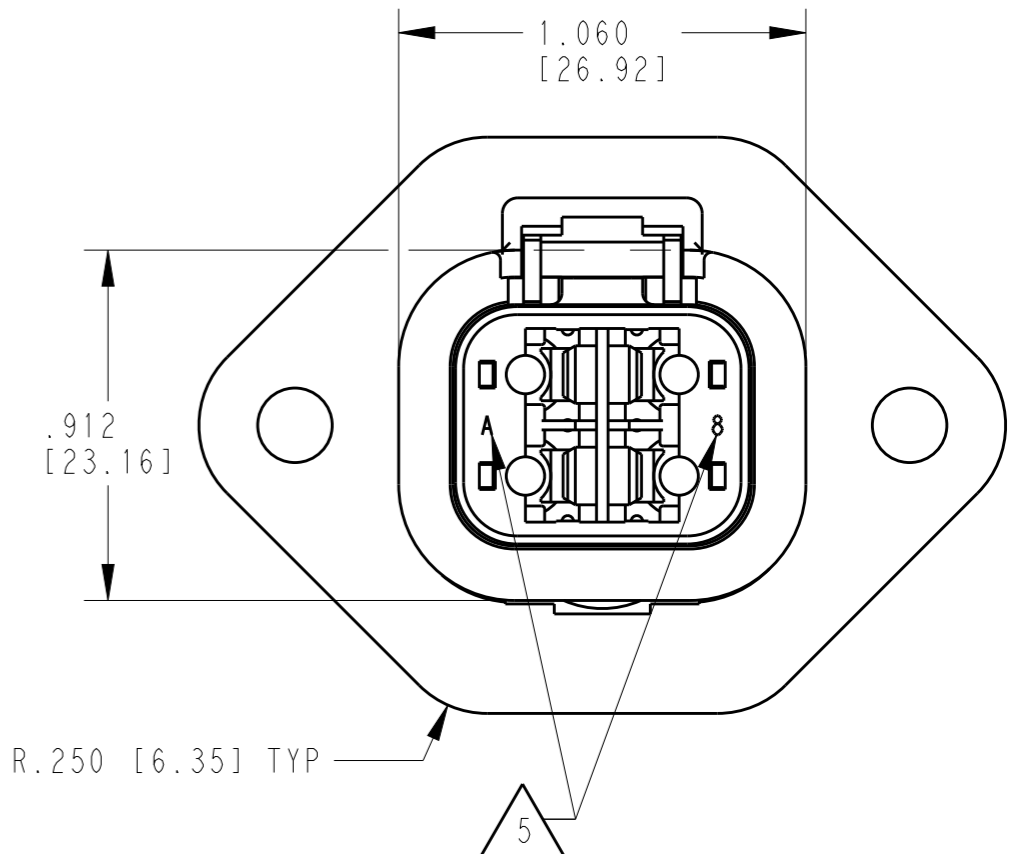
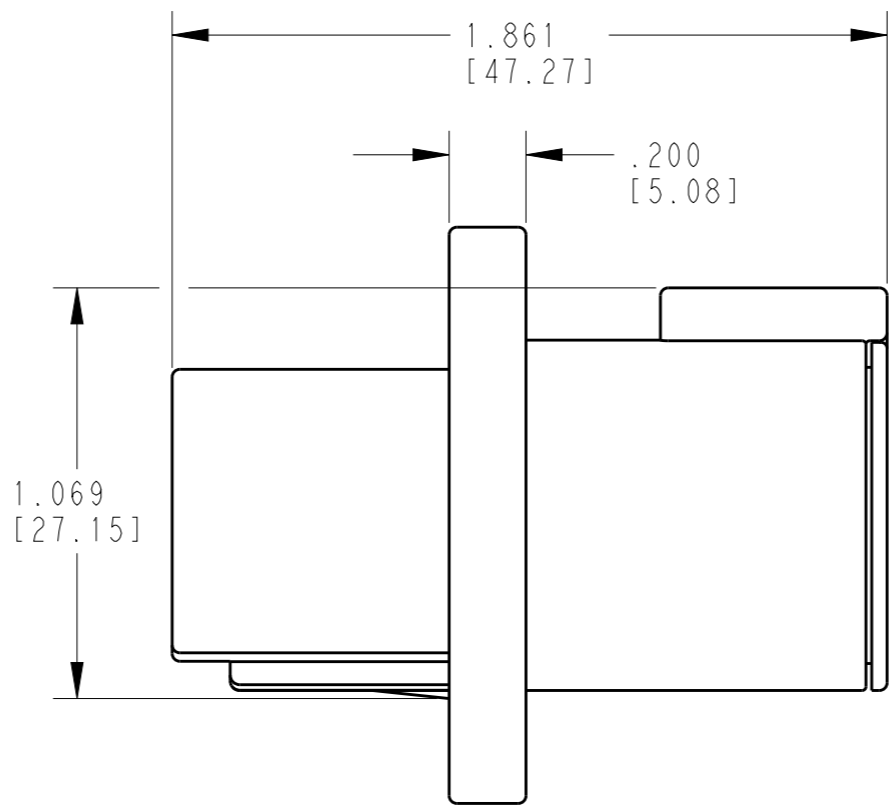
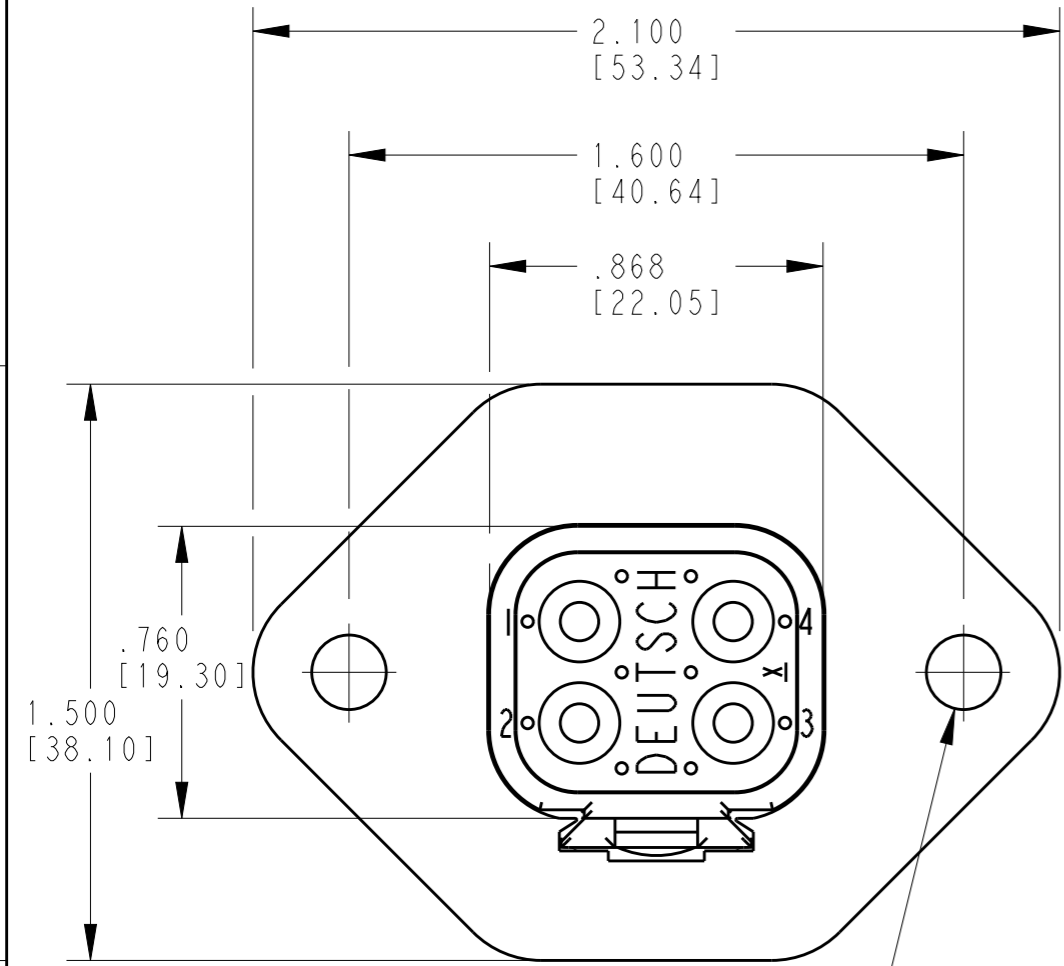


THIS DRAWING IS UNPUBLISHED  
RELEASED FOR PUBLICATION  
2015  
© COPYRIGHT 2015 BY - TE CONNECTIVITY ALL RIGHTS RESERVED.

P	LTR	DESCRIPTION	DATE	DWN	APVD
C		REVISED PER E.O. P17309	14JUN2001	-	RDR
D		REVISED PER E.O. P20373	23DEC2009	-	RDR
E		REVISED PER ECO-15-003592	10APR2015	VNB	DM
E1		REVISED PER ECO-16-015651	31OCT2016	JA	DM



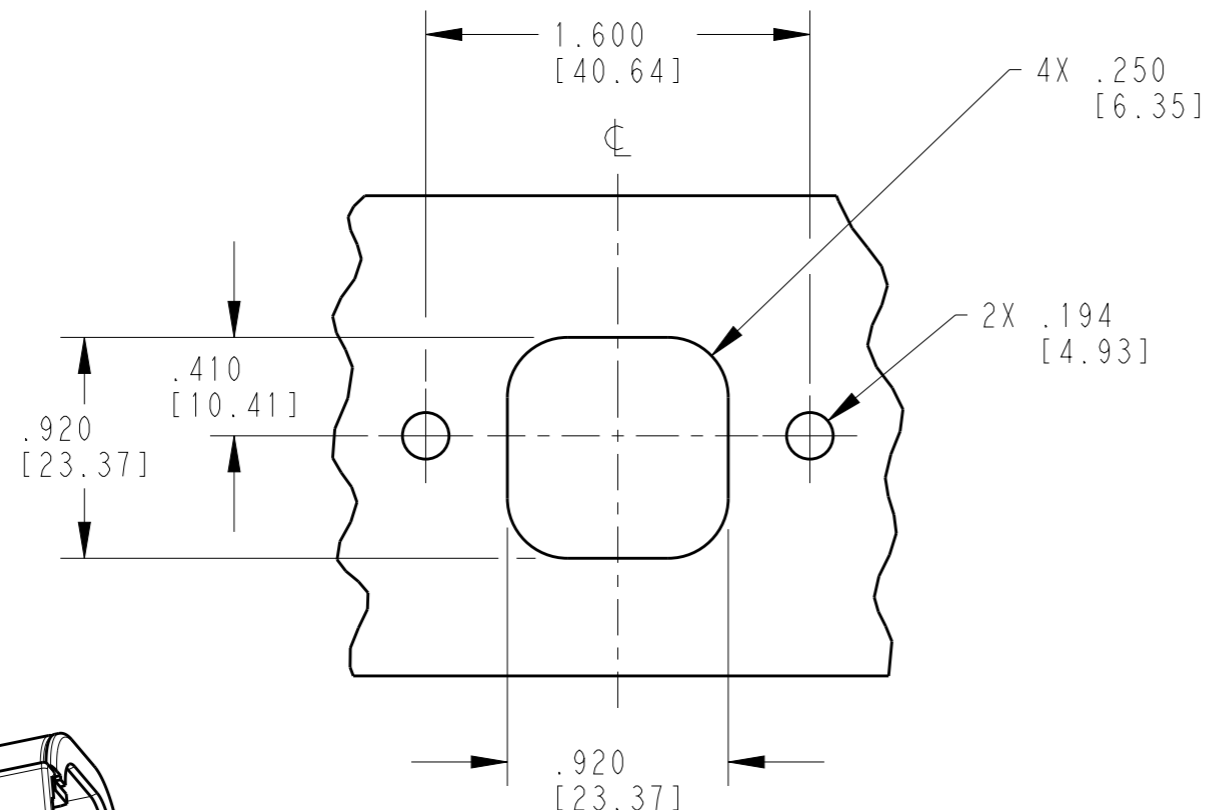
- 5 DATE CODE: MONTH IS REPRESENTED BY SEQUENTIAL ALPHA CHARACTERS. EX: A=JANUARY. YEAR IS REPRESENTED BY THE LAST DIGIT. EX: 8=2008
- 4 MATERIAL:  
RECEPTACLE: PA66 GF15 (GREY)  
SEAL RETAINER: PA66 GF15 (GREY)  
INTERFACE SEAL: SILICONE, PHENYL FLUID LUBED (GREEN)  
FLANGE: PA66 GF15 (GREY)
- 3. THIS RECEPTACLE MATES WITH DTP06-4S-XXXX PLUG. (XXXX = ALL MODIFICATIONS)
- 2. SECONDARY WEDGE LOCK SOLD SEPARATELY: WP-4P-XXXX (XXXX = ALL MODIFICATIONS)
- 1 DIMENSION TOLERANCE: ±.025 [.64], EXCEPT FOR PANEL CUTOUT: ±.010 [.25]. SEE SHEET 2.

CONTACT SIZE	MIN. INSUL. O.D.	MAX INSUL. O.D.	WIRE RANGE [mm <sup>2</sup> ] REF ONLY
12	.134 [3.40]	.170 [4.32]	10-14 AWG [5.0-2.0]

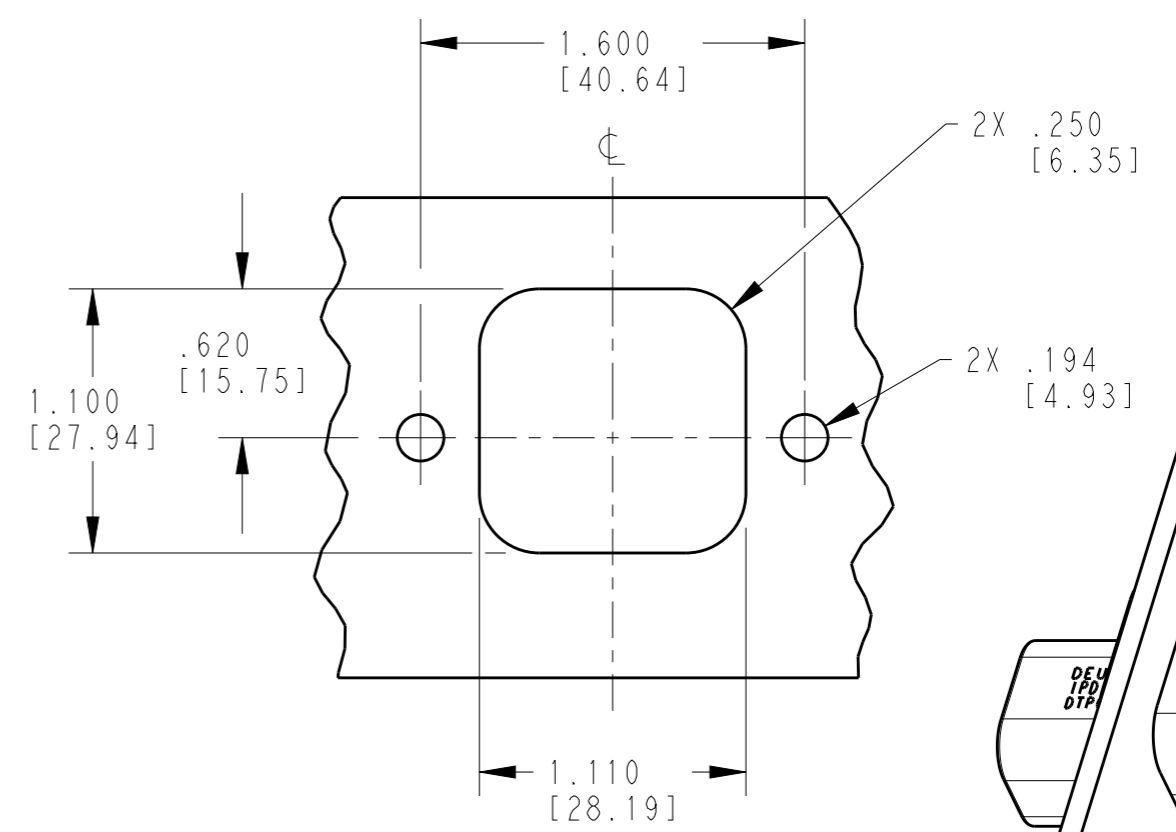
THIS DRAWING IS A CONTROLLED DOCUMENT.		DWN S. PALLUTH 24OCT2000	<b>TE</b> TE Connectivity	
DIMENSIONS: INCHES [mm]		CHK B. BAYFORD 23DEC2009		
TOLERANCES UNLESS OTHERWISE SPECIFIED:		APVD R. REED 18DEC2009	NAME RECEPTACLE 4 CONTACTS, SIZE 12 DTP SERIES	
0 PLC ±		PRODUCT SPEC	RESTRICTED TO	
1 PLC ± 1		APPLICATION SPEC	SIZE A3	CAGE CODE 4AFU8
2 PLC ±		0425-015-0000	DRAWING NO ©-DTP04-4P-L012	
3 PLC ±		WEIGHT 21.2g	SCALE 2:1	
4 PLC ±		CUSTOMER DRAWING	SHEET 1 OF 2	
ANGLES ±			REV E1	
FINISH ±				

THIS DRAWING IS UNPUBLISHED  
RELEASED FOR PUBLICATION 2015  
2015  
COPYRIGHT 2015 BY - TE CONNECTIVITY ALL RIGHTS RESERVED.

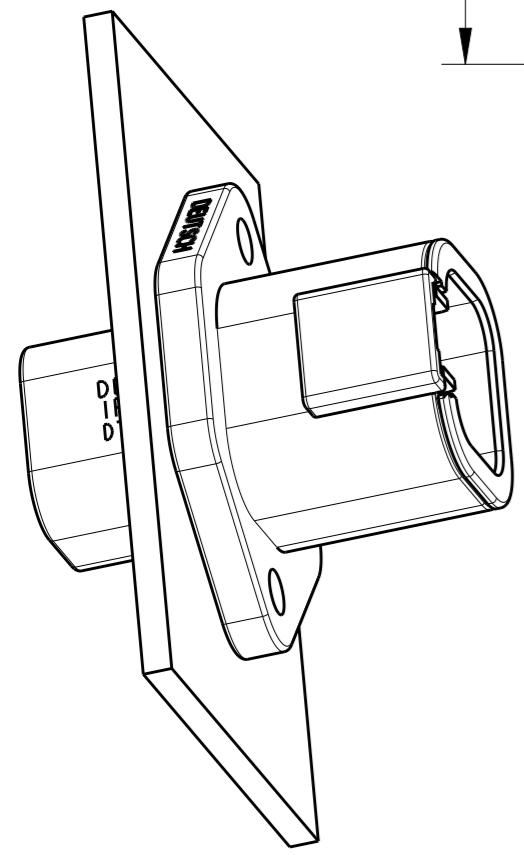
LOC		DIST		REVISIONS			
P	LTR	DESCRIPTION		DATE	DWN	APVD	
	-	SEE SHEET 1		-	-	-	



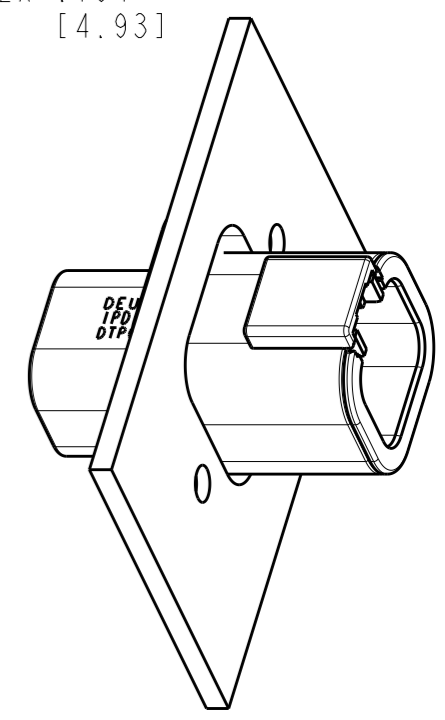
RECOMMENDED CUTOUT  
FRONT MOUNT




RECOMMENDED CUTOUT  
REAR MOUNT



FRONT MOUNT  
REFERENCE VIEW



REAR MOUNT  
REFERENCE VIEW

THIS DRAWING IS A CONTROLLED DOCUMENT.		DWN S. PALLUTH 24OCT2000	 TE Connectivity		
DIMENSIONS: INCHES [mm]		CHK B. BAYFORD 23DEC2009			
TOLERANCES UNLESS OTHERWISE SPECIFIED:		APVD R. REED 18DEC2009	NAME RECEPTACLE 4 CONTACTS, SIZE 12 DTP SERIES		
0 PLC ± 1 PLC ± 2 PLC ± 3 PLC ± 4 PLC ± ANGLES ±		PRODUCT SPEC	RESTRICTED TO		
MATERIAL 4		APPLICATION SPEC 0425-015-0000	SIZE A3	CAGE CODE 4AFU8	DRAWING NO DTP04-4P-L012
FINISH		WEIGHT 21.2g	SCALE 2:1	SHEET 2 OF 2	REV E1
CUSTOMER DRAWING					