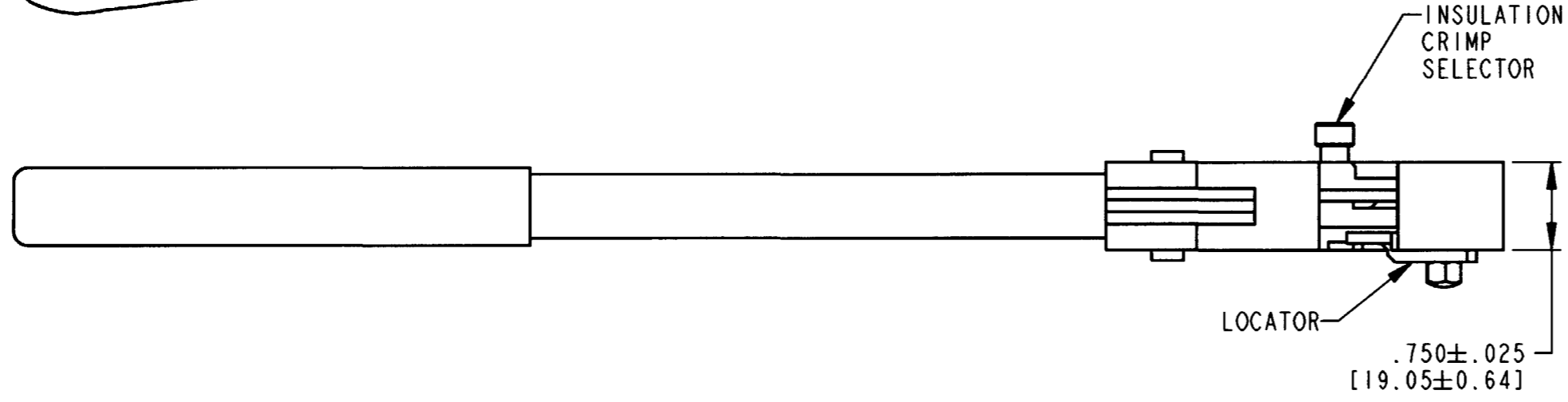
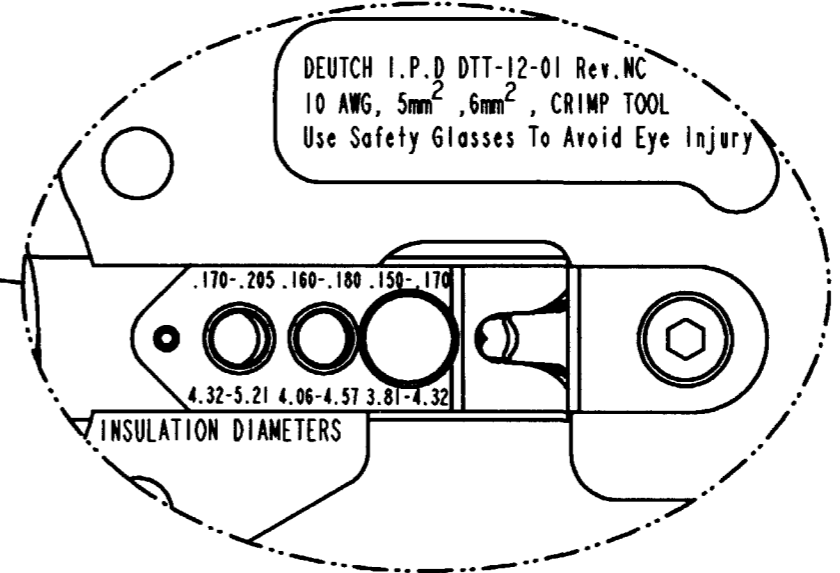
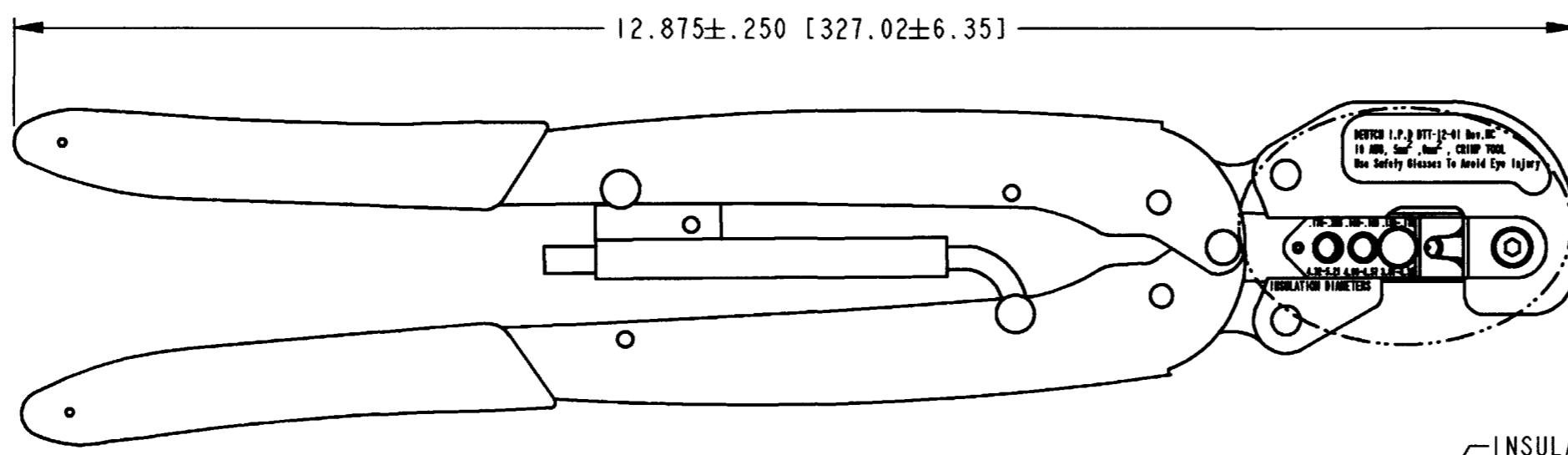


REV	NC	DTT-12-01
-----	----	-----------

REVISIONS			
SYM	DESCRIPTION	DATE	APPROVED
NC	NEW RELEASE PER E.O. PI7438	9-21-01	RDR



12 SIZE S/F CRIMP SCHEMA		
	WIRE TYPE	INSULATION SELECTOR
1060-12-02** PIN	10 AWG TXL	.150-.170 [3.81-4.32]
	10 AWG GXL	.160-.180 [4.06-4.57]
1062-12-02** SOCKET	10 AWG SXL	.170-.205 [4.32-5.21]
	5 mm ²	.160-.180 [4.06-4.57]
	6 mm ²	.170-.205 [4.32-5.21]

5. EACH TOOL INCLUDES AN INSTRUCTION MANUAL 0425-045-0000.
4. ** = CONTACT PLATING CODE (22 = NICKEL; 44 = SELECTIVE GOLD).
3. THIS TOOL IS DESIGNED TO CRIMP SIZE 12 STAMPED CONTACTS TO WIRES INDICATED.
2. TOOL IS BLACK WITH BLUE HANDLES.
1. DIMENSIONS ARE IN INCHES [mm].
- NOTES: UNLESS OTHERWISE SPECIFIED

SIGNATURE & DATE	
DR	J. APOSTOL 17SEP2001
CHK	D. [Signature] 9/21/01
PE	[Signature] 9/21/01
APPD	R. Reed 9-21-01
SCALE	NONE WT

CRIMP TOOL
 CONDUCTOR: 10 AWG, 5mm² & 6mm²
 INSULATION: .150-.205
 DTT-12-01
 ENVELOPE

CP	EP 101	MATL. CODE
The Deutsch Company DEUTSCH I.P.D. 3850 INDUSTRIAL AVE. HEMET, CALIF. 92545		
B DTT-12-01		
DWG SIZE	CODE 11139	SHEET OF