

Raychem

**SPECIFICATION
CONTROL DRAWING**

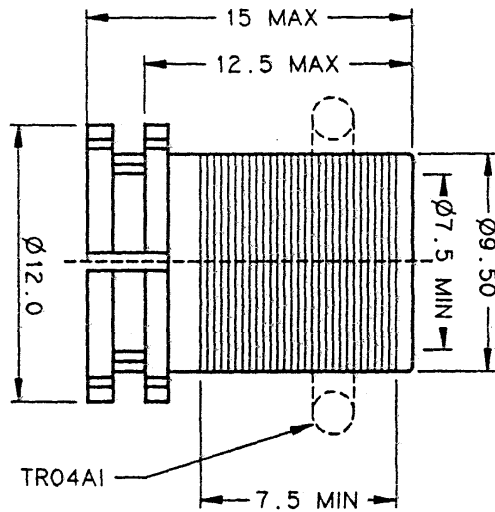
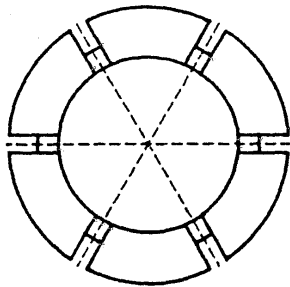
Product Name

ECA-0133

Date
11 JAN 1990

Revision
C

SPIGOT LARGE SIZE



TINEL RING REF: TR04A1

1. THIS SPIGOT IS DESIGNED TO BE MOUNTED ON MULTIWAY BACKSHELLS : - ECA-0129
- ECA-0130
2. TO BE USED WITH TINEL RING TR04A1
3. TINEL RING SHOWN FOR REFERENCE ONLY- MUST BE ORDERED SEPERATELY
4. MATERIAL: ALUMINUM ALLOY
5. FINISH: CADMIUM PLATED PER QQ-P-416
6. TOLERANCES: UNLESS OTHERWISE SPECIFIED
.XX±.2
.X±.5
X±1

If this document is printed it becomes uncontrolled.
Check with the web for latest revision.

Dimensions are in millimeters

DRAWN	R TREADWELL <i>R. Treadwell</i>	APPROVED	A POMEY <i>My</i>	REPLACES
Engineering		Product Manager		
APPROVED	C ROLLAND <i>Rolland</i>	APPROVED	P GUILLON <i>Guillon</i>	PROJECT NUMBER
Development		Quality Assurance		