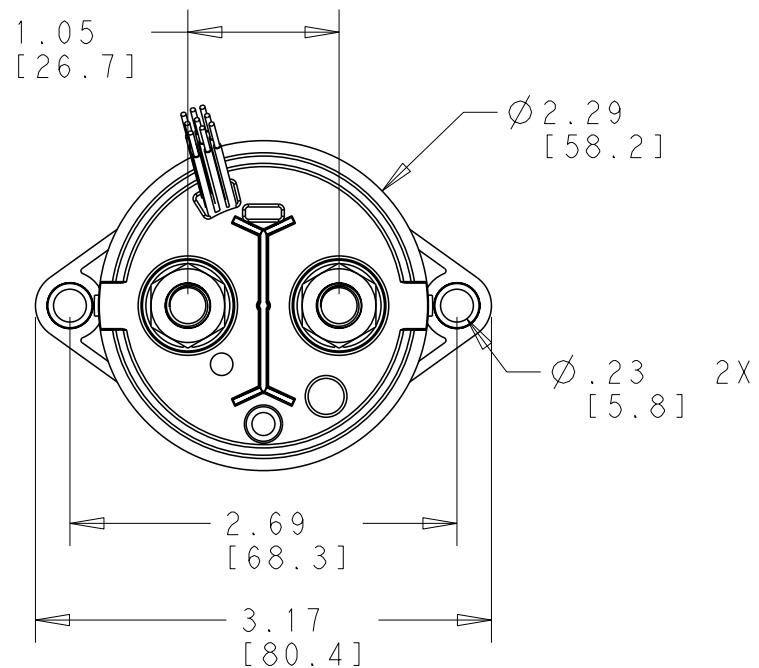


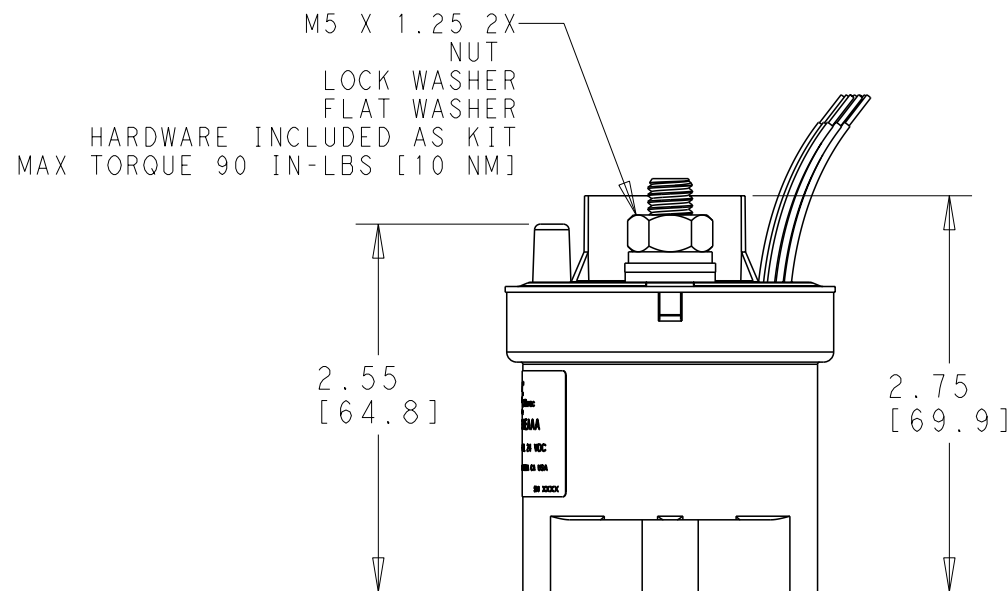
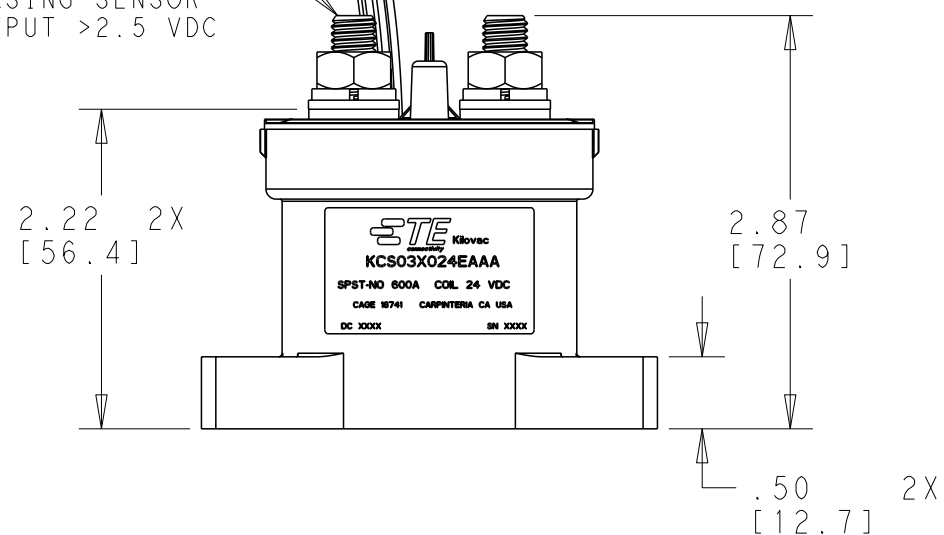
REVISIONS

P	LTR	DESCRIPTION	DATE	DWN	APVD
	A	INITIAL RELEASE	30DEC2016	MP	MP



OBSERVE PROPER POLARITIES FOR CONTROL LINES
 UNTERMINATED WIRES - USE ESD HANDLING PROCEDURES

CURRENT FLOW INTO THIS TERMINAL FOR INCREASING SENSOR OUTPUT >2.5 VDC



NOTES:

- HARNESS:
 WIRE LENGTHS 15" NOMINAL
 ALL CONDUCTORS M22759/11, 22 AWG
 RED = V+
 BLACK = RTN
 WHITE (2 EA) AUX COM-NO
 PURPLE = TRIP DISABLE/PROGRAM TIME DELAY
 ORANGE = CONNECT TO V+ FOR TRIP SENSING AND CURRENT SENSING
 BROWN = CURRENT SENSE OUTPUT
 BLUE = Rx
 YELLOW = Rx

METRIC DIMENSIONS FOR REFERENCE ONLY

WEIGHT: 500 GRAMS MAX

SEE PRODUCT DATA SHEET FOR PERFORMANCE SPECIFICATIONS

THIS DRAWING IS A CONTROLLED DOCUMENT.		DWN	30DEC2016	TE Connectivity NAME KCS03X SERIES CONTACTOR, SPST-NO, 600A	
DIMENSIONS:		CHK	30DEC2016		
IN		APVD	30DEC2016		
		MP	MP		
TOLERANCES UNLESS OTHERWISE SPECIFIED:		PRODUCT SPEC		SIZE	
0 PLC ±-		-		A3	
1 PLC ±-		APPLICATION SPEC		CAGE CODE	
2 PLC ±.03		-		18741	
3 PLC ±		WEIGHT		DRAWING NO	
4 PLC ±-		-		C-KCS03X_SERIES	
ANGLES ±1		CUSTOMER DRAWING		RESTRICTED TO	
MATERIAL		-		-	
FINISH		-		SCALE	
-		-		1:2	
				SHEET	
				1 OF 1	
				REV	
				A	