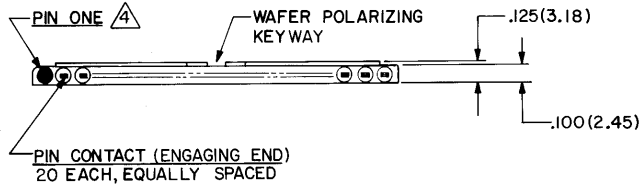
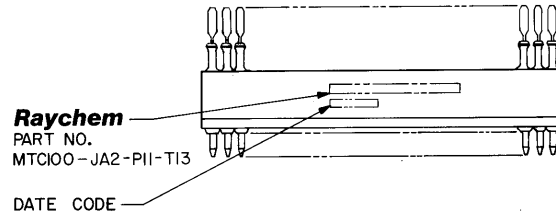
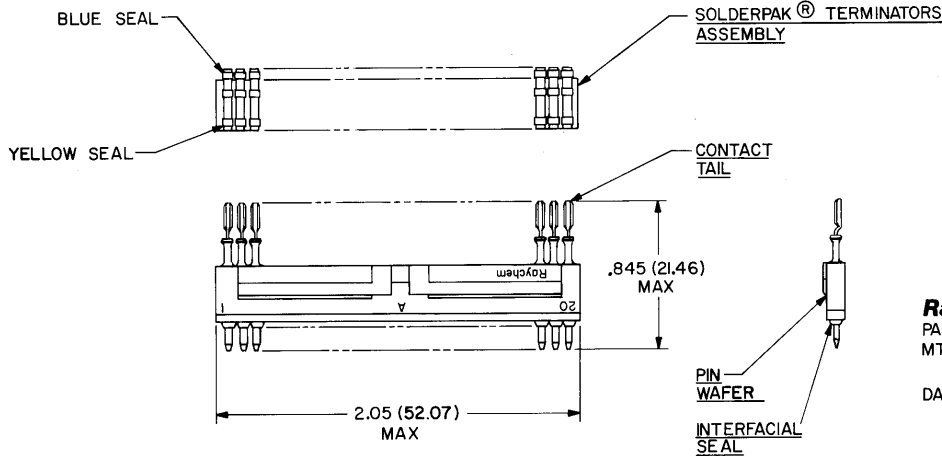


ZONE		LTR		DESCRIPTION	DATE	APPROVED
—	A	CHG'D	PER	DCO # T-02587	W.J. Arr. 9/1	Plan



5. WEIGHT (MAX.):

LBS	GRAMS
.0090	4.08

4. PIN ONE: PIN NUMBER ONE MARKED IN CONTRASTING COLOR ON INTERFACIAL SEAL.

3. WAFER: WAFER MEETS THE REQUIREMENTS OF RAYCHEM SPECIFICATION D-6012.

2. FINISH: 2-A PIN WAFER: FINISH TO BE AS MOLDED.
 2-B PIN CONTACT; GOLD PLATE PER MIL-G-45204, CLASS I.
 (ENGAGING END)
 2-C CONTACT TAIL; COATED WITH SOLDER PER QQ-S-571.

1. MATERIAL: 1-A PIN WAFER; HIGH GRADE POLYARYLENE THERMO-PLASTIC.
 1-B PIN CONTACT; COPPER ALLOY PER QQ-B-613 OR QQ-C-502.
 1-C INTERFACIAL SEAL; SILICONE ELASTOMER PER MIL-R-25988.
 1-D SOLDERPAK® TERMINATORS ASSY; REFER TO RAYCHEM DWG. CTA-0036 FOR DATA.

© Raychem Corporation 1981

SPECIFICATION CONTROL DRAWING

UNLESS OTHERWISE SPECIFIED DIMENSIONS ARE IN INCHES BRACKETED DIMENSIONS () ARE METRIC AND TOLERANCES ARE:		DRAWN	W.V.J.	1-15-81	Raychem
.XXX: ± .005 (0.13 M.M.)		CHECKED			
.XX: ± .02 (0.51 M.M.)		APPROVED			
Δ: ± —		APPROVED			
		APPROVED			
					SIZE C
					CODE IDENT NO. 06090
					DWG. NO. MTC100-JA2-PII-TI3
					WEIGHT 5 SHEET 1 OF 1

NOTES

If this document is printed it becomes uncontrolled.
 Check with the web for latest revision.

DO NOT SCALE THIS DRAWING