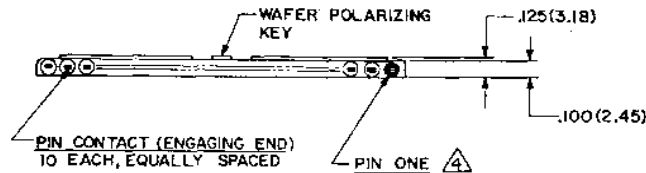
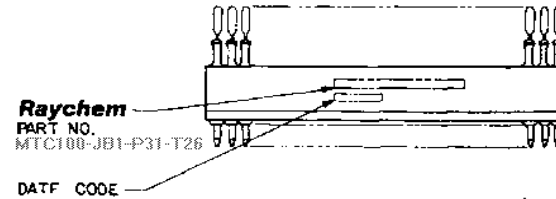
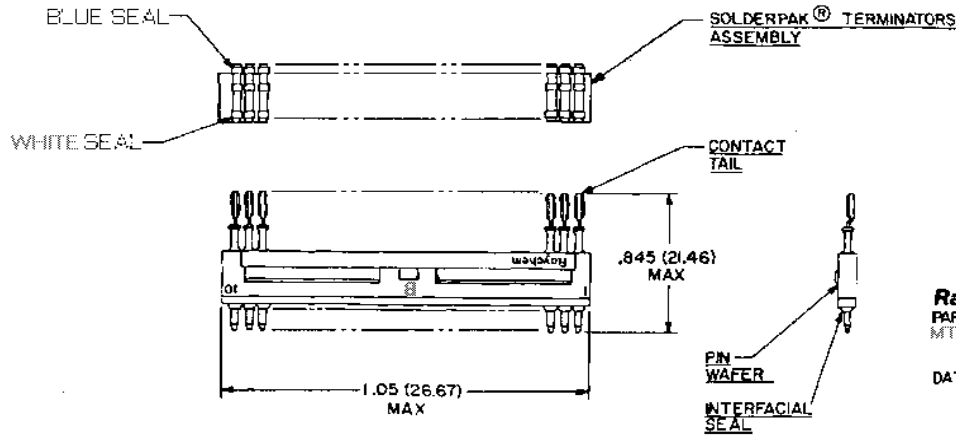


REVISIONS			
ZONF LTR	DESCRIPTION	DATE	APPROVED
A	REVISED PER ECN T-		



△ WEIGHT (MAX) § $\frac{\text{LBS. | GRAMS}}{.0047 | 2.12}$

△ PIN ONE § PIN NUMBER ONE MARKED IN CONTRASTING COLOR ON INTERFACIAL SEAL.

3. WAFER § WAFER MEETS THE REQUIREMENTS OF RAYCHEM SPECIFICATION D-6011.

2. FINISH §
 2-A PIN WAFER: FINISH TO BE AS MOLDED.
 2-B PIN CONTACT: GOLD PLATE PER MIL-G-45204, CLASS I.
 (ENGAGING END)
 2-C CONTACT TAIL: COATED WITH SOLDER PER QQ-S-571.

1. MATERIAL §
 1-A PIN WAFER: HIGH GRADE POLYARYLENE THERMO-PLASTIC.
 1-B PIN CONTACT: COPPER ALLOY PER QQ-B-613 OR QQ-C-502.
 1-C INTERFACIAL SEAL: SILICONE ELASTOMER PER MIL-R-2598B.
 1-D SOLDERPAK® TERMINATORS ASSY: REFER TO RAYCHEM DWG. CTA-0226 FOR DATA.

NOTES

If this document is printed it becomes uncontrolled.
 Check with the web for latest revision.

DO NOT SCALE THIS DRAWING

SPECIFICATION CONTROL DRAWING

© Raychem Corporation 1981

UNLESS OTHERWISE SPECIFIED DIMENSIONS ARE IN INCHES BRACKETED DIMENSIONS () ARE METRIC AND TOLERANCES ARE: .XXX: ± .005 (0.13 M.M.) .XX: ± .02 (0.51 M.M.) Δ: ± —	DRAWN	D.P.	11-73	Raychem <small>RAYCHEM CORPORATION 200 CONSTITUTION DRIVE MENLO PARK, CALIFORNIA 94025</small>
	CHECKED	R.H.	11-73	
	APPROVED	R. Hoag	11-73	
	APPROVED			
	CAD FILE#	008064-1.PCX	SIZE	CODE IDENT
			C	NO. 06000
				DWG. NO.
				MTC100-JB1-P31-T26
				WEIGHT
				5
				SHEET 1 OF 1

TITLE KIT, 1" PIN WAFER "B" WITH SOLDERPAK® TERMINATORS, FOR ROUND WIRE (20-26 AWG), 150°C TEMPERATURE RATING MTC 100 SERIES (SN96)