

The SG1 provides absolute linear position up to a 10-ft. stroke range. Constructed with a rugged polycarbonate body, this model is available in an 80-inch or 120-inch stroke range and offers optional IP67 protection for wet or outdoor installations and an M12 connector for easy installation.

The SG1 uses a precision high-cycle plastic hybrid potentiometer and an extremely durable spring-loaded stainless steel measuring cable to provide an accurate reliable position feedback signal over the entire stroke. With its slim design and versatile mounting bracket, the SG1 has been designed to fit into spaces no other measurement device can. For the OEM customer, custom mounting hardware and electrical connections are available.



## SG1

### Cable Actuated Sensor

### Voltage Divider Output Signal

Compact Mid-Range String Pot • Absolute Position

80, 120-inch Stroke Range Options

Polycarbonate Enclosure • IP67

In Stock for Quick Delivery

#### Specifications

<b>Stroke Range Options</b>	80 inches (2032 mm), 120 inches (3048 mm)
<b>Output Signal</b>	voltage divider (potentiometric)
<b>Accuracy</b>	.35% FS.
<b>Repeatability</b>	.05% FS.
<b>Resolution</b>	essentially infinite
<b>Measuring Cable</b>	.019-inch dia. nylon-coated stainless steel
<b>Maximum Acceleration</b>	10 g
<b>Measuring Cable Tension</b>	9 oz. (2,5 N) ±30%
<b>Sensor</b>	plastic-hybrid precision potentiometer
<b>Input Resistance</b>	10K ohms, ±10%
<b>Power Rating, Watts</b>	2.0 at 70°F
<b>Recommended Maximum Input Voltage</b>	30 V (AC/DC)
<b>Output Signal Change Over Full Stroke Range</b>	94% ±4% of V(+in)
<b>Cycle Life</b>	≥ 250,000
<b>Electrical Connection</b>	see ordering information
<b>Enclosure</b>	glass-filled polycarbonate
<b>Environmental</b>	IP 50 , IP67 (m12 connector & pigtail options)
<b>Operating Temperature</b>	-40° to 160° F (-40° to 70° C)
<b>Weight, 80-inch (not including bracket)</b>	.6 lbs. (272 g)
<b>Weight, 120-inch (not including bracket)</b>	1 lb. (453 g)

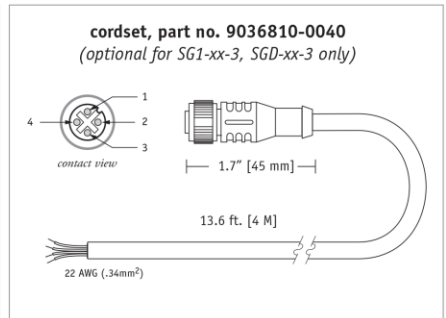
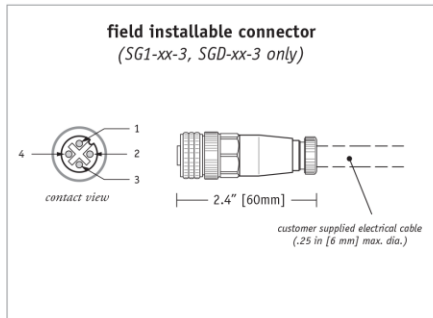
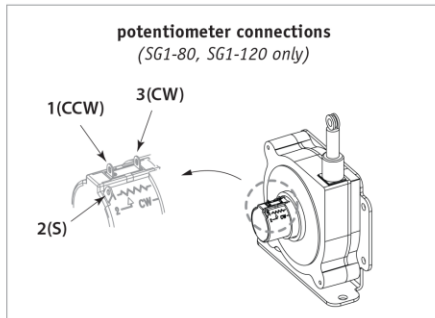
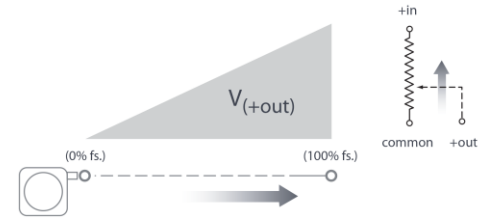
**Electrical Connection**



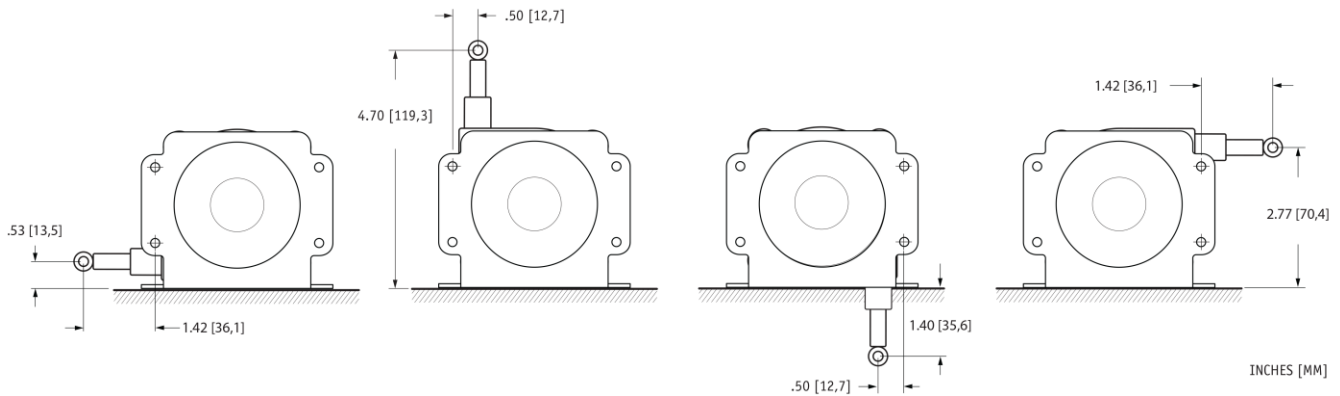
signals	terminal	colorcode	pin*	pin - colorcode*
+in	3 (cw)	red	1	1 - brown
common	1 (ccw)	black	2	2 - white
+out	2 (s)	green	3	3 - blue

\*note: connector pin 4 and the black wire on the cordset are NOT used.

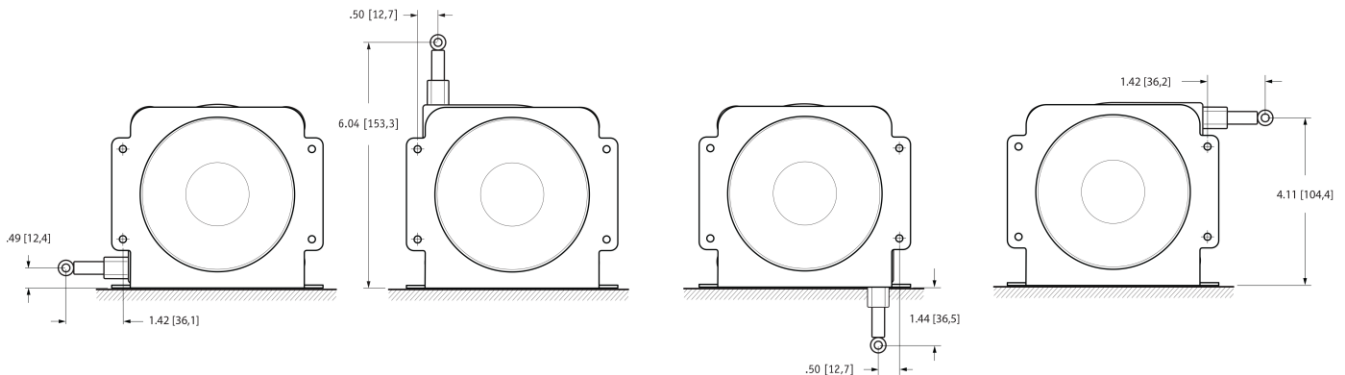
**Output Signal**



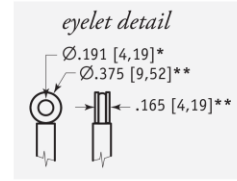
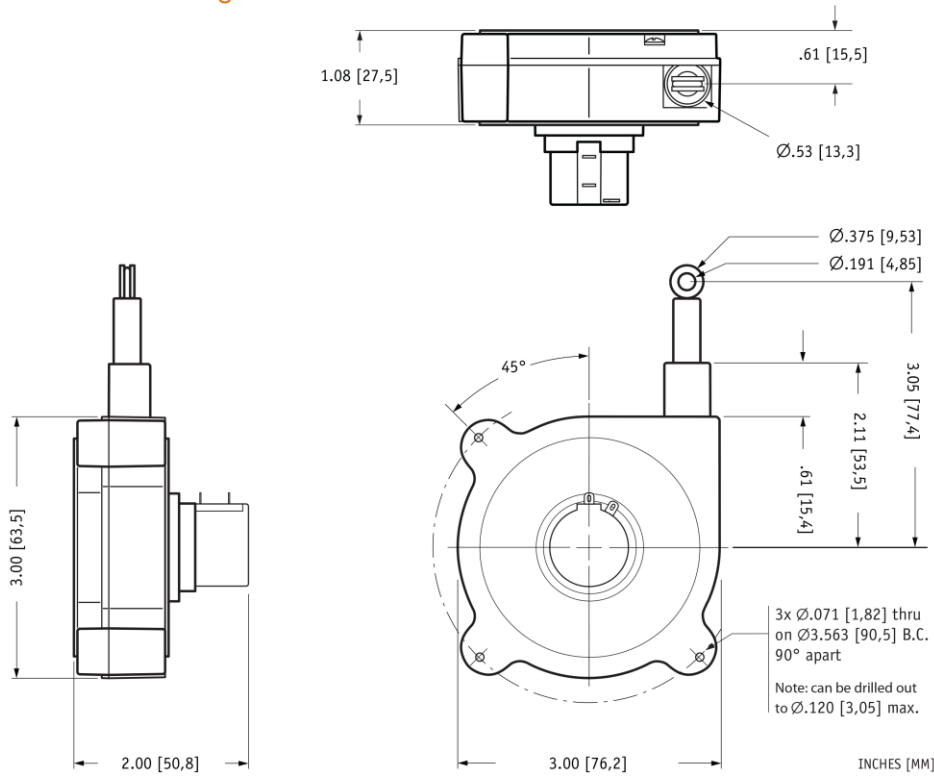
**Mounting Options (SG1-80, SG1-80-2, SG1-80-3):**



**Mounting Options (SG1-120, SG1-120-2, SG1-120-3):**

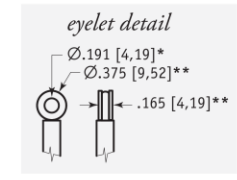
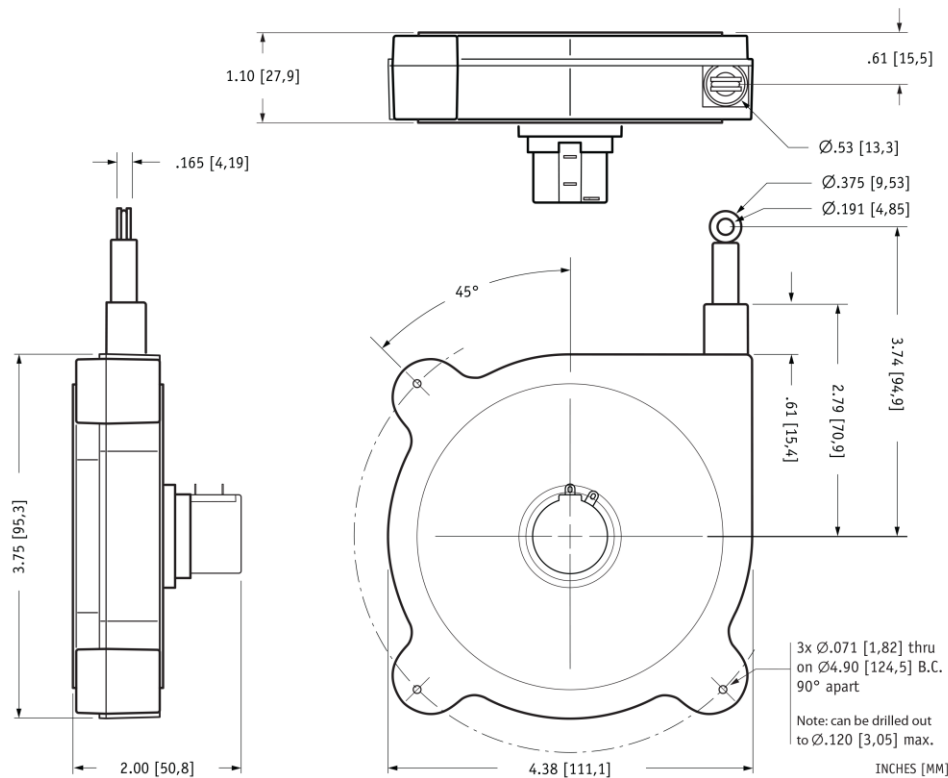


**SG1-80 w/o Mounting Bracket:**



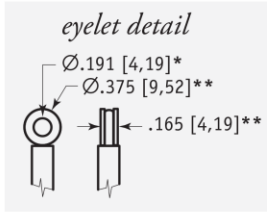
\*tolerance = +.005 -.001 [+13 -.03]  
 \*\*tolerance = +.005 -.005 [+13 -.13]

**SG1-120 w/o Mounting Bracket:**

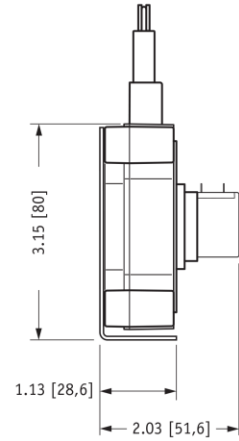
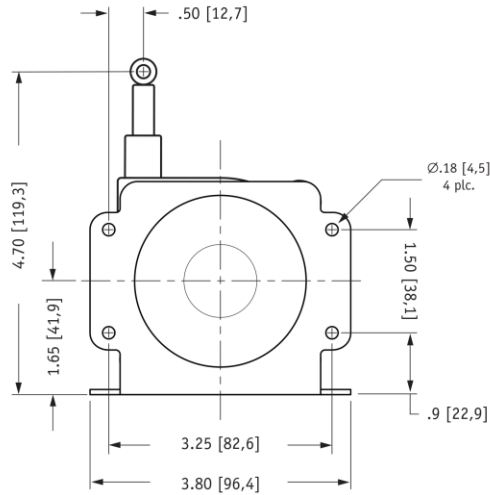
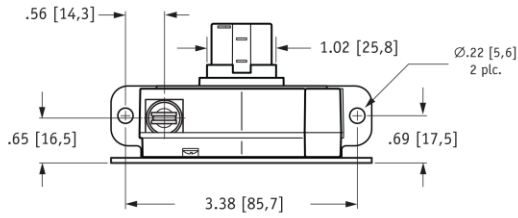


\*tolerance = +.005 -.001 [+13 -.03]  
 \*\*tolerance = +.005 -.005 [+13 -.13]

**SG1-80 w/ Mounting Bracket:**

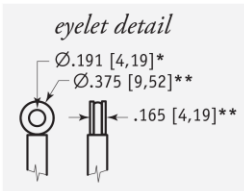


\*tolerance = +.005 -.001 [+.13 -.03]  
 \*\*tolerance = +.005 -.005 [+.13 -.13]

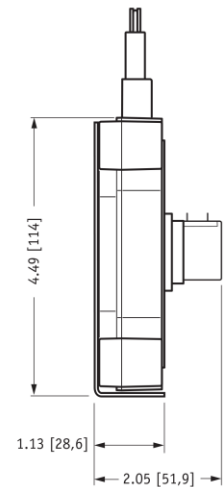
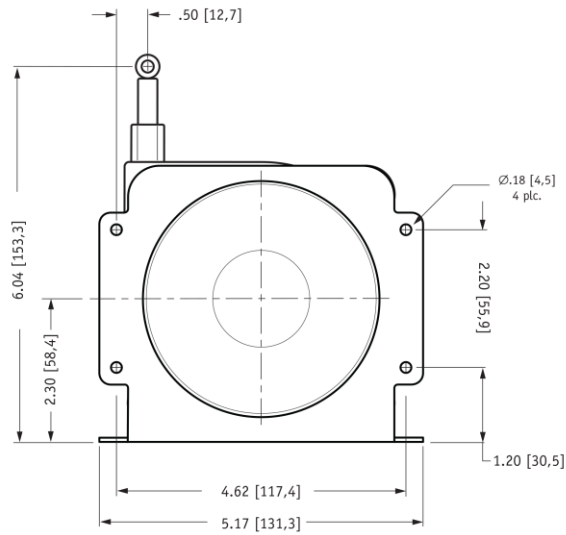
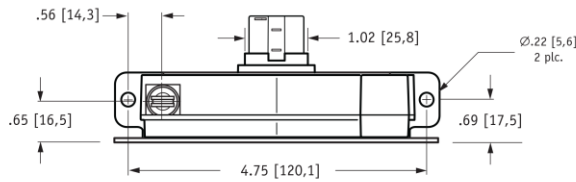


INCHES [MM]

**SG1-120 w/ Mounting Bracket:**

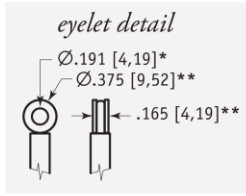


\*tolerance = +.005 -.001 [+.13 -.03]  
 \*\*tolerance = +.005 -.005 [+.13 -.13]

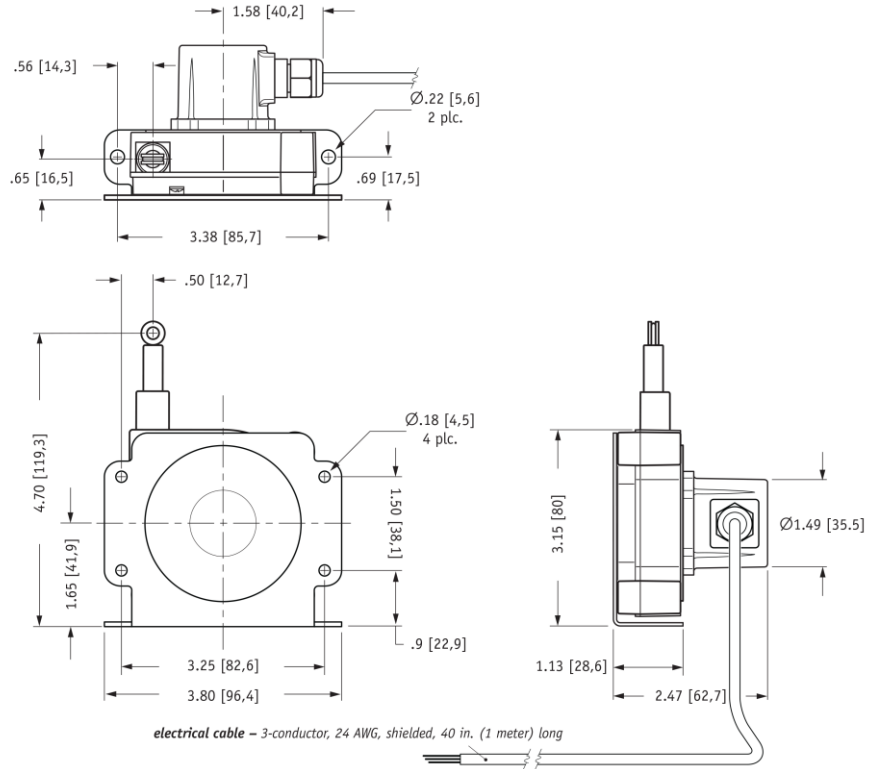


INCHES [MM]

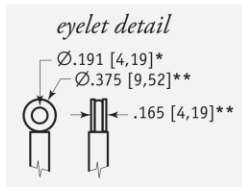
**SG1-80-2 w/ Mounting Bracket:**



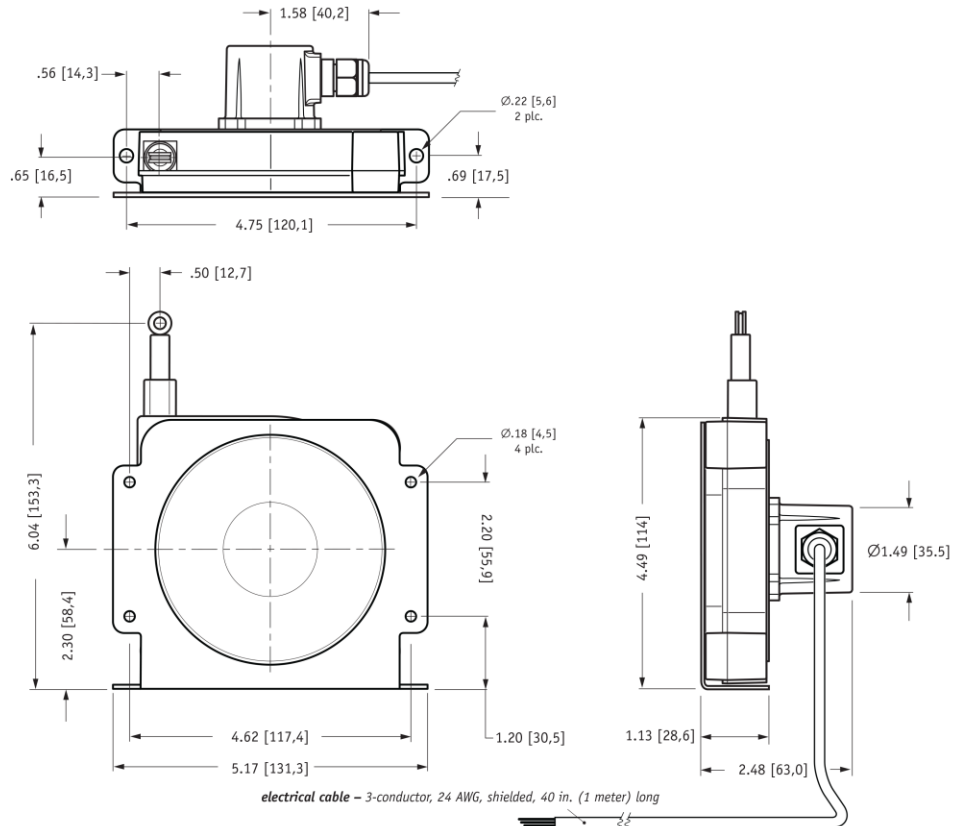
\*tolerance = +.005 - .001 [+13 -.03]  
 \*\*tolerance = +.005 - .005 [+13 -.13]



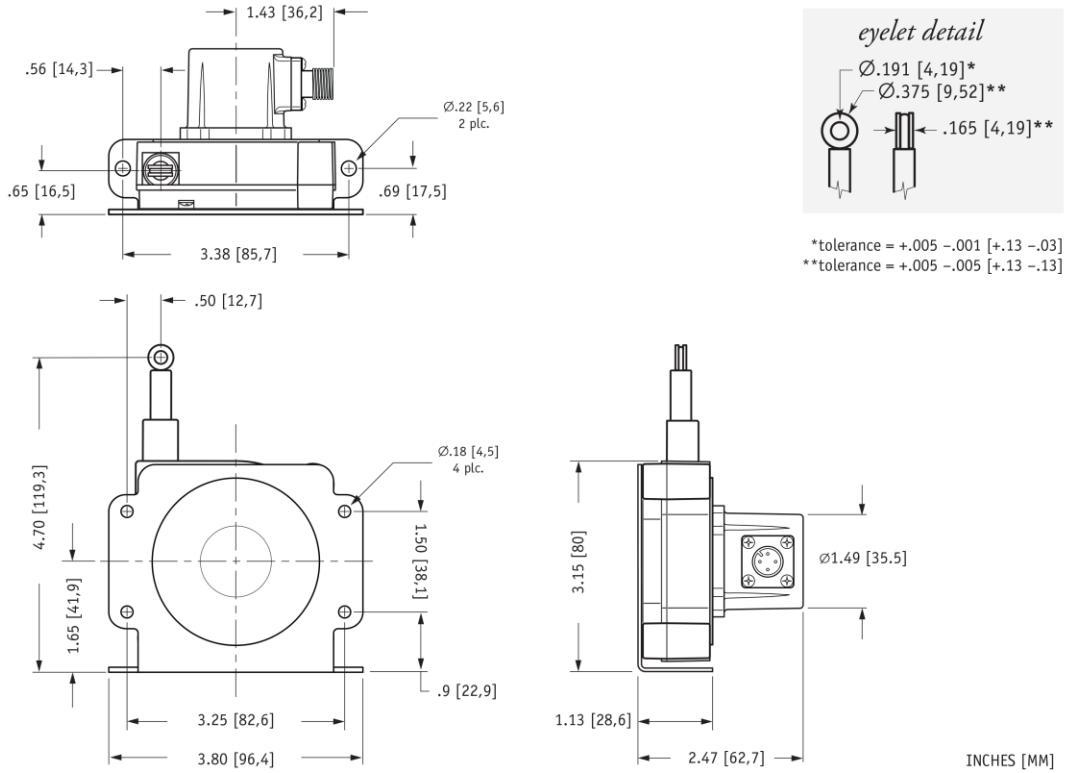
**SG1-120-2 w/ Mounting Bracket:**



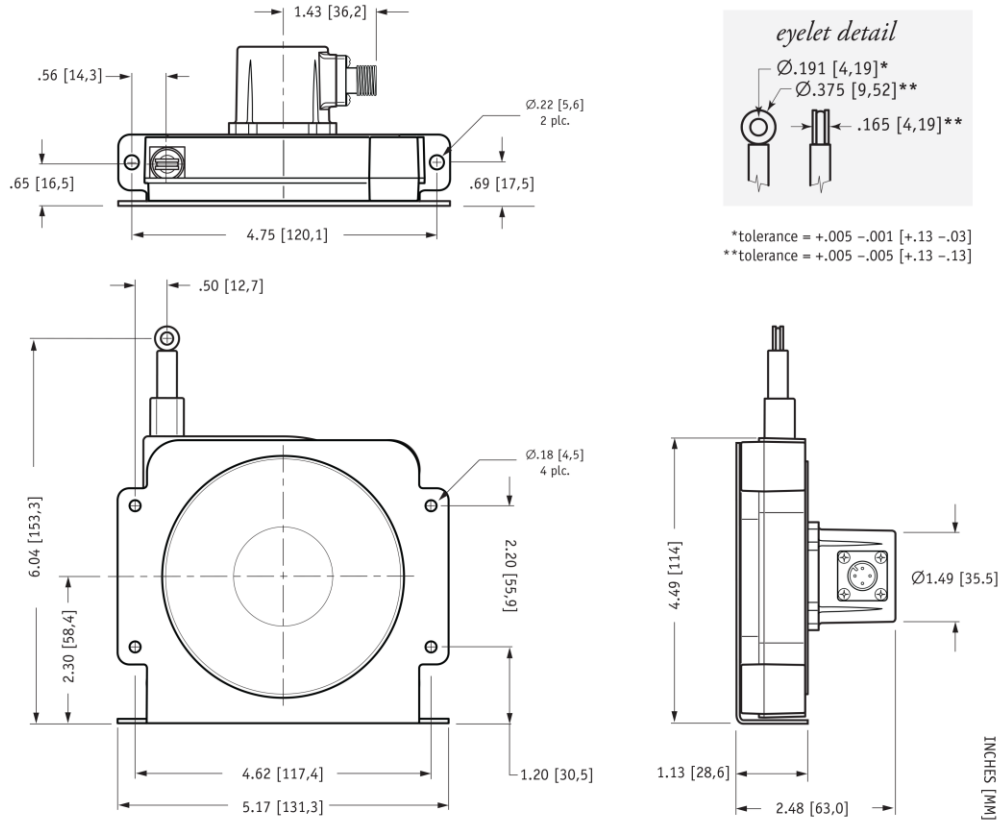
\*tolerance = +.005 - .001 [+13 -.03]  
 \*\*tolerance = +.005 - .005 [+13 -.13]

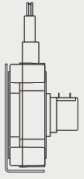


**SG1-80-3 w/ Mounting Bracket:**



**SG1-120-3 w/ Mounting Bracket:**



**Ordering Information**

Part No.

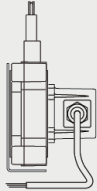
**SG1-80**

80-inch stroke range,  
solder terminal connection,  
IP50 environments,  
mounting bracket included

Part No.

**SG1-120**

120-inch stroke range,  
solder terminal connection,  
IP50 environments,  
mounting bracket included



Part No.

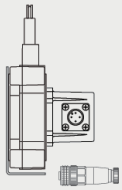
**SG1-80-2**

80-inch stroke range,  
40-inch electrical cable,  
IP67 environments,  
mounting bracket included

Part No.

**SG1-120-2**

120-inch stroke range,  
40-inch electrical cable,  
IP67 environments,  
mounting bracket included



Part No.

**SG1-80-3**

80-inch stroke range,  
M12 connector,  
IP67 environments,  
mounting bracket included

Part No.

**SG1-120-3**

120-inch stroke range,  
M12 connector,  
IP67 environments,  
mounting bracket included



4-pin M12 connector  
13 ft (4 m)  
22 AWG (.34mm<sup>2</sup>)

**Optional  
Cordset**

Part No.

**9036810-0040**

for short-run connections, a convenient optional  
13-ft. cordset with a 4-pin M12 connector is available  
for the SG1-80-3 and SG1-120-3.

**NORTH AMERICA**

Measurement Specialties, Inc.,  
a TE Connectivity company  
20630 Plummer Street  
Chatsworth, CA 91311  
Tel +1 800 423 5483  
Tel +1 818 701 2750  
Fax +1 818 701 2799  
info@celesco.com

**TE.com/sensorsolutions**

Measurement Specialties, Inc., a TE Connectivity company.

Measurement Specialties, TE Connectivity, TE Connectivity (logo) and EVERY CONNECTION COUNTS are trademarks. All other logos, products and/or company names referred to herein might be trademarks of their respective owners.

The information given herein, including drawings, illustrations and schematics which are intended for illustration purposes only, is believed to be reliable. However, TE Connectivity makes no warranties as to its accuracy or completeness and disclaims any liability in connection with its use. TE Connectivity's obligations shall only be as set forth in TE Connectivity's Standard Terms and Conditions of Sale for this product and in no case will TE Connectivity be liable for any incidental, indirect or consequential damages arising out of the sale, resale, use or misuse of the product. Users of TE Connectivity products should make their own evaluation to determine the suitability of each such product for the specific application.

© 2015 TE Connectivity Ltd. family of companies All Rights Reserved.

SG1 12/01/2015