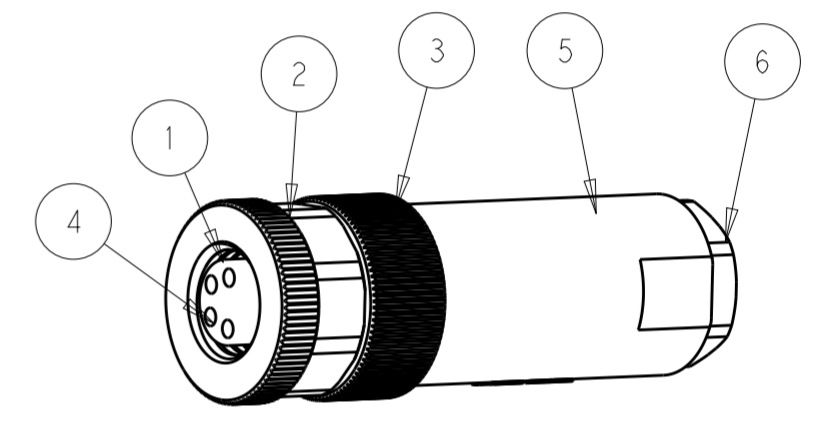
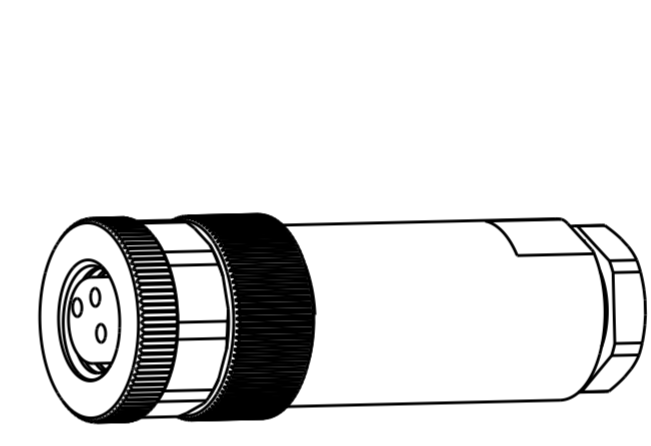
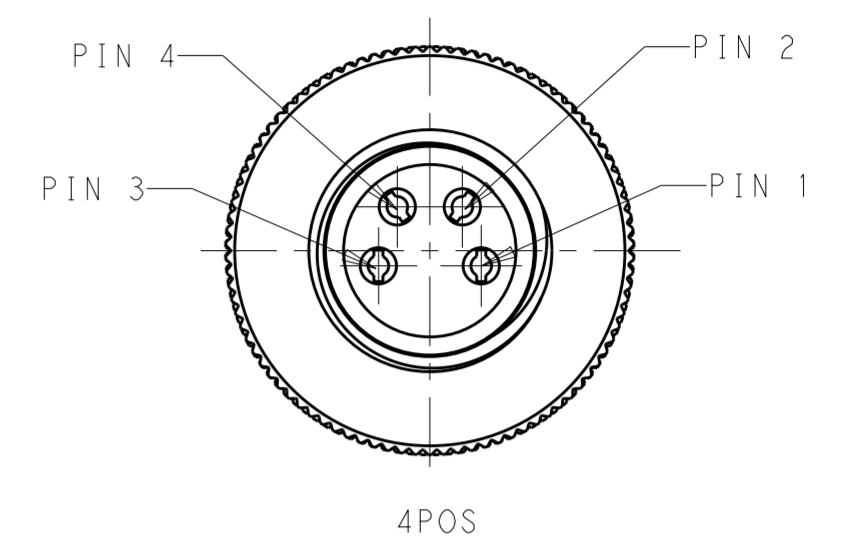
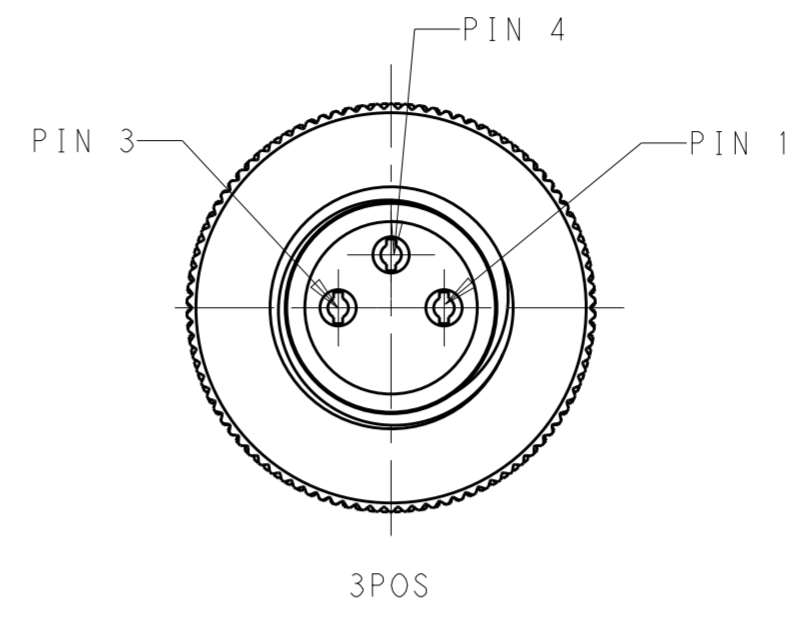
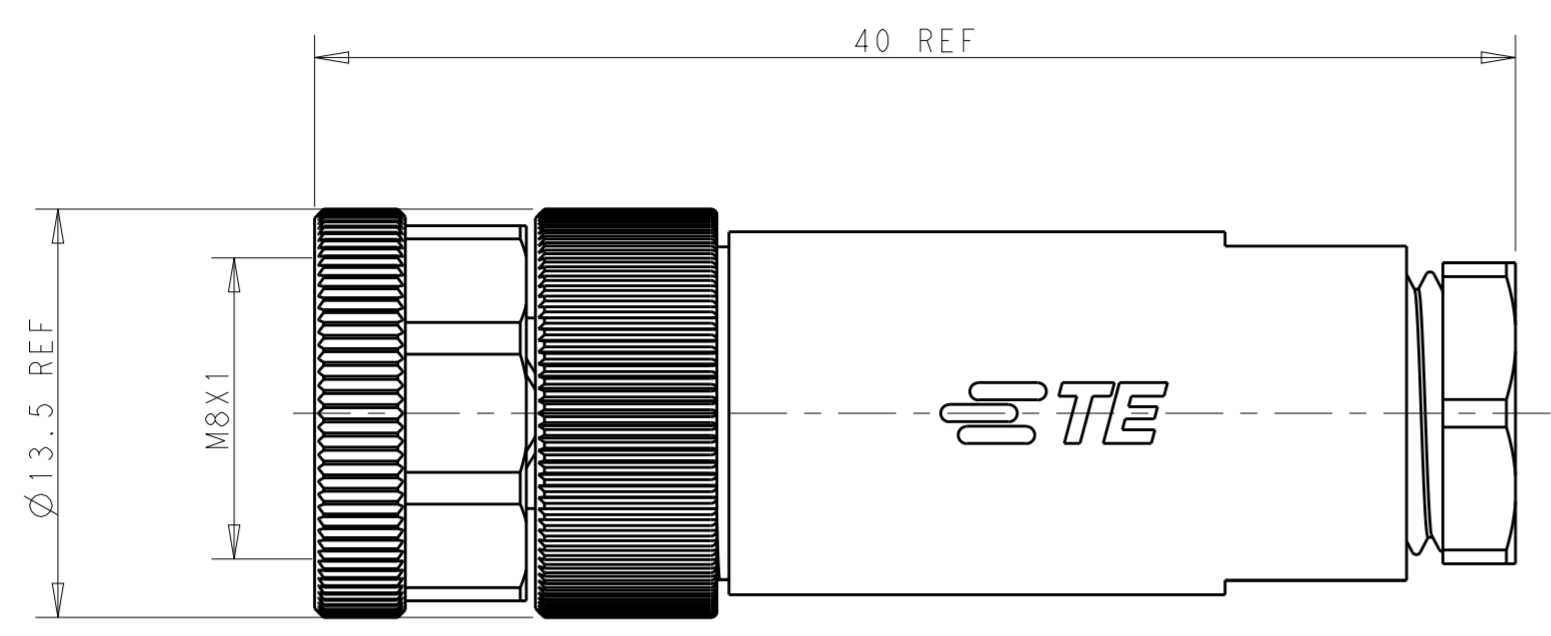


THIS DRAWING IS UNPUBLISHED. RELEASED FOR PUBLICATION 20  
 © COPYRIGHT 20 BY - ALL RIGHTS RESERVED.

REVISIONS				
P	LTR	DESCRIPTION	DATE	APVD
A		INITIAL RELEASED	11APR2016	L.Z X.X
B		EC-16-011351 NEW REVISE	01JUL2016	L.Z X.X
B1		REVISED PER ECR-16-012993	18SEP2016	L.Z X.X
C		ECR-17-011756	21SEP2017	S.C C.W



OPERATION TEMPERATURE	-40~85°C	-40~85°C
DEGREE OF PROTECTION	IP67	IP67
INSULATION RESISTANCE	>100MΩ	>100MΩ
MATERIAL GROUP	II	II
OVERVOLTAGE CATEGOYR	II	II
POLLUTION DEGREE	3	3
RATED CURRENT	3A	3A
RATED VOLTAGE	30V	60V
TECHNICAL DATA	T401000804X-000	T401000803X-000

- NOTES;
- PARTS MATERIAL DATA:SEE TABLE1
  - CONTACT FINISH:  
GOLD OVER NICKEL OR SILVER OVER NICKEL
  - CABLE WIRES:  
26AWG/0.14mm<sup>2</sup> Min & 24AWG/0.25mm<sup>2</sup> Max
  - ALL DIMENSIONS ARE FOR NOMINAL REFERENCE ONLY UNLESS OTHERWISE STATE
  - PACKAGIN: 1 PIECE IN A BAG
  - PN INFORMATION FOR ASSEMBLY PARTS  
T401000XXXX-000

- CONTACT FINISH:  
1:GOLD OVER NICKEL  
2:SILVER OVER NICKEL
- NUMBERS OF PINS:  
03:3 PINS  
04:4 PINS  
...
- CABLE OUTLET:  
8:PLASTIC(CABLE FEED:3.5~4.8mm)  
9:METAL(CABLE FEED:3.5~5.0mm)  
...

- 注意事项;
- 零件材料参见附表1
  - 表面处理:镀金
  - 适用线材:26AWG/0.14mm<sup>2</sup> Min & 24AWG/0.25mm<sup>2</sup> Max
  - 所有尺寸标注为基本参考,除非其它说明
  - 包装:每BAG装1PC
  - 料号数字代码参考上表

TABLE1

PBT	PRESS SCREW	6
PBT	STRAIGHT PLASTIC HOUSING	5
BRASS	M8 SCTREW ASSY REC TERMINAL	4
BRASS	M8 SCREW ASSY OUT SCREW	3
BRASS	M8, FEMALE INSERT NUT	2
PA	M8, FEMALE HSG, A CODE, 4PIN	1
	M8, FEMALE HSG, A CODE, 3PIN	
MATERIAL	DESCRIPTION	ITEM

T4010008042-000	RPC-M8-FS-4CON-PG7-M	OBSOLETE
T4010008041-000	RPC-M8-FS-4CON-PG7-MU	
T4010008032-000	RPC-M8-FS-3CON-PG7-M	OBSOLETE
T4010008031-000	RPC-M8-FS-3CON-PG7-MU	
TE PN	TYPE	

THIS DRAWING IS A CONTROLLED DOCUMENT.		DWN LEAR ZHANG 12APR2016	TE Connectivity	
DIMENSIONS: mm		CHK KOBBY ZHAO 12APR2016		
TOLERANCES UNLESS OTHERWISE SPECIFIED:		APVD XU XIANG 12APR2016	NAME M8 FEMALE SCREW ASSY STRAIGHT UNSHIELDING CONNECTOR	
0 PLC ±		PRODUCT SPEC 108-106140	SIZE A2	
1 PLC ±0.20		APPLICATION SPEC 114-137144-1	CAGE CODE -	
2 PLC ±0.20		WEIGHT -	DRAWING NO. C-T40100080XX000	
3 PLC ±0.20		CUSTOMER DRAWING	RESTRICTED TO -	
4 PLC ±			SCALE 2:1 SHEET 1 OF 1 REV C	
ANGLES FINISH				