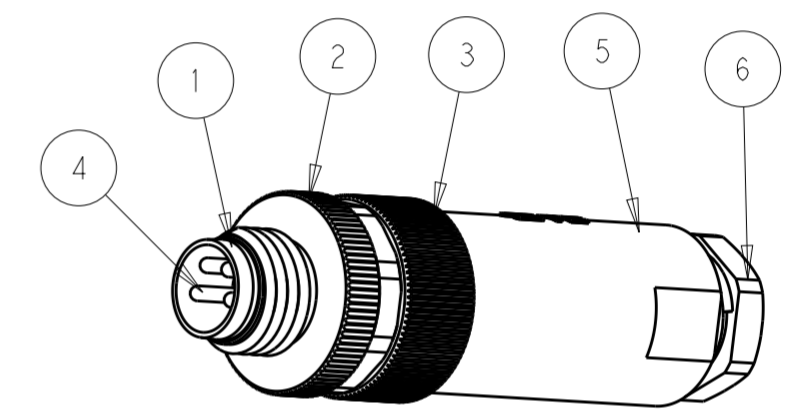
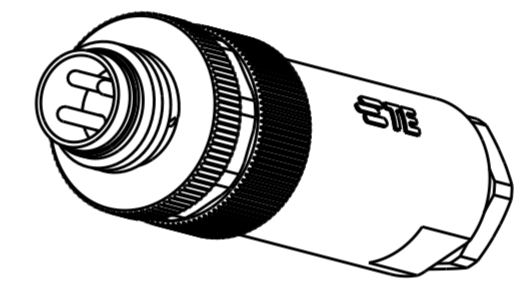
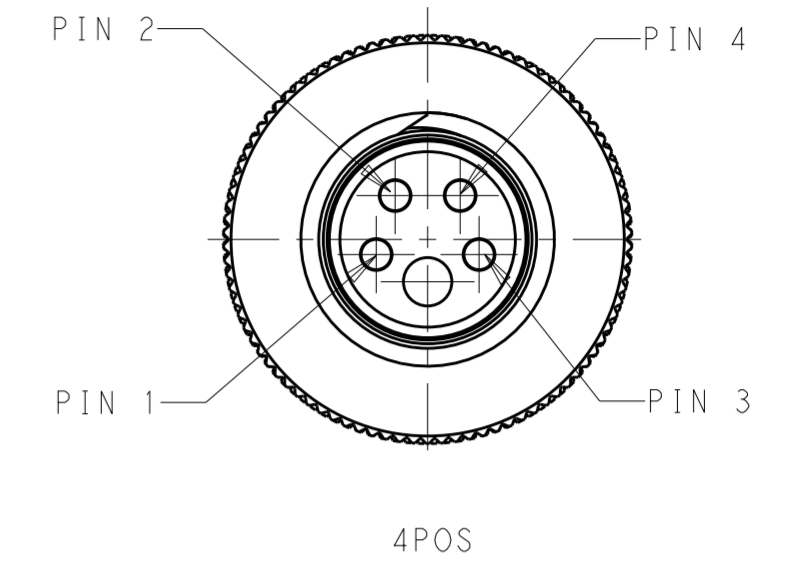
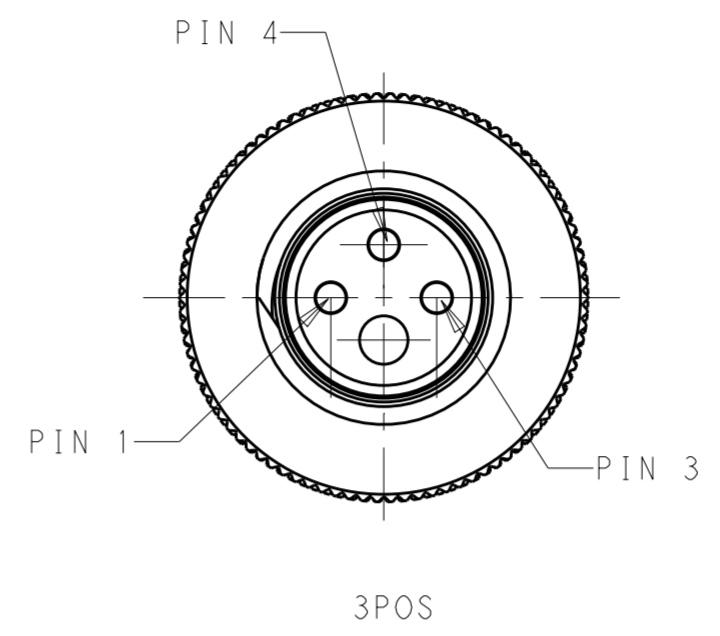
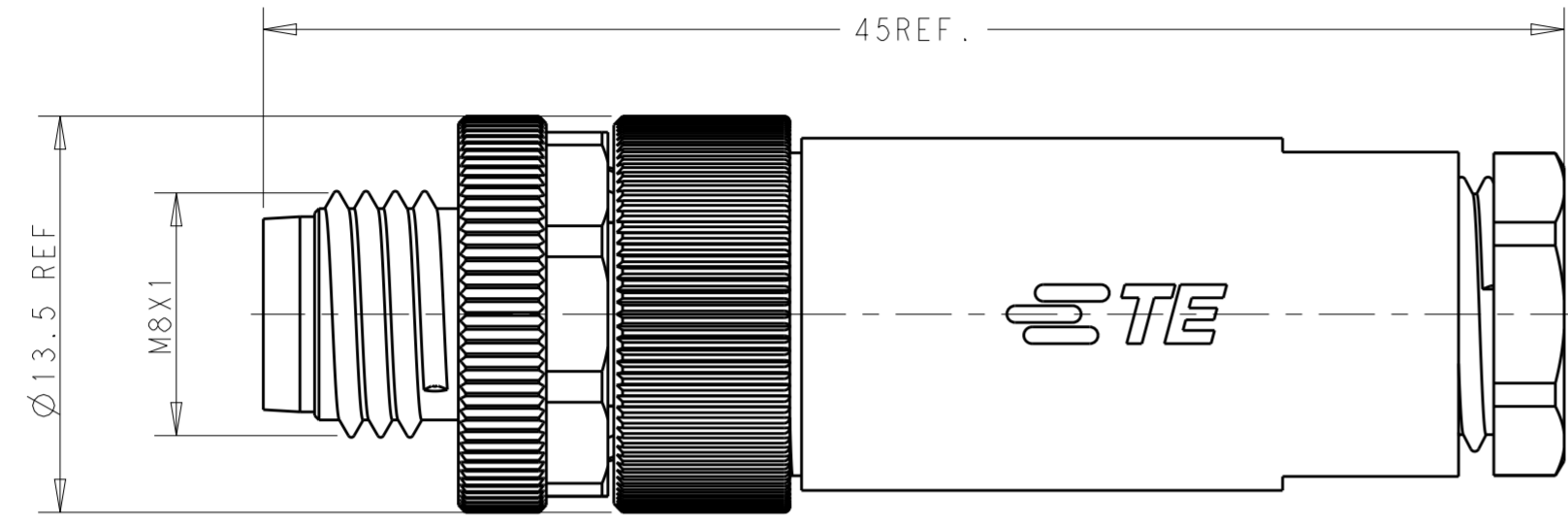


THIS DRAWING IS UNPUBLISHED. RELEASED FOR PUBLICATION 20
 © COPYRIGHT 20 BY - ALL RIGHTS RESERVED.

REVISIONS				
P	LTR	DESCRIPTION	DATE	APVD
A		INITIAL RELEASE	11APR2016	L.Z X.X
B		EC-16-011351 NEW REVISE	01JUL2016	L.Z X.X
B1		REVISED PER ECR-16-012993	19SEP2016	L.Z X.X
C		ECR-17-011756	04SEP2017	S.C C.W



OPERATION TEMPERATURE	-40~85°C	-40~85°C
DEGREE OF PROTECTION	IP67	IP67
INSULATION RESISTANCE	>100MΩ	>100MΩ
MATERIAL GROUP	II	II
OVERVOLTAGE CATEGOR	II	II
POLLUTION DEGREE	3	3
RATED CURRENT	3A	3A
RATED VOLTAGE	30V	60V
TECHNICAL DATA	T401100804X-000	T401100803X-000

NOTES;
 1.PARTS MATERIAL DATA:SEE TABLE1
 2.CONTACT FINISH:
 GOLD OVER NICKEL OR SILVER OVER NICKEL
 3.CABLE WIRES:
 26AWG/0.14mm² Min & 24AWG/0.25mm² Max
 4.ALL DIMENSIONS ARE FOR NOMINAL REFERENCE ONLY UNLESS OTHERWISE STATE
 5.PACKAGIN: 1 PIECE IN A BAG
 6.PN INFORMATION FOR ASSEMBLY PARTS
 T401100XXXX-000

CONTACT FINISH:
 1:GOLD OVER NICKEL
 2:SILVER OVER NICKEL
 NUMBERS OF PINS:
 03:3 PINS
 04:4 PINS
 ...
 CABLE OUTLET:
 8:PLASTIC/8(CABLE FEED:3.5~4.8mm)
 9:METAL(CABLE FEED:3.5~5.0mm)
 ...

注意事项;
 1.零件材料参见附表1
 2.表面处理:镀金
 3.适用线材:26AWG/0.14mm² Min & 24AWG/0.25mm² Max
 4.所有尺寸标注为基本参考,除非其它说明
 5.包装:每BAG装1PC
 6.料号数字代码参考上表

TABLE 1

MATERIAL	DESCRIPTION	ITEM
PBT	PRESS SCREW	6
PBT	STRAIGHT PLASTIC HOUSING	5
BRASS	M8 SCTREW ASSY PLUG TERMINAL	4
BRASS	M8 SCREW ASSY OUT SCREW	3
BRASS	M8,MALE INSERT NUT	2
PA	M8,MALE HSG,A CODE,4PIN	1
	M8,MALE HSG,A CODE,3PIN	

T4011008042-000	RPC-M8-MS-4CON-PG7-M	OBSOLETE
T4011008041-000	RPC-M8-MS-4CON-PG7-MU	
T4011008032-000	RPC-M8-MS-3CON-PG7-M	OBSOLETE
T4011008031-000	RPC-M8-MS-3CON-PG7-MU	
TE PN	TYPE	

THIS DRAWING IS A CONTROLLED DOCUMENT.		DWN LEAR ZHANG 12APR2016	STE TE Connectivity	
		CHK KOBBY ZHAO 12APR2016		
DIMENSIONS: mm		APVD XU XIANG 12APR2016	NAME M8 MALE SCREW ASSY STRAIGHT UNSHIELDING CONNECTOR	
TOLERANCES UNLESS OTHERWISE SPECIFIED:		PRODUCT SPEC 108-106140	SIZE A2	
0 PLC ±		APPLICATION SPEC 114-137144-1	CAGE CODE -	
1 PLC ±0.20		WEIGHT -	DRAWING NO. C-T40110080XX000	
2 PLC ±0.20		CUSTOMER DRAWING	RESTRICTED TO -	
3 PLC ±0.20			SCALE 2:1 SHEET 1 OF 1 REV C	
4 PLC ±				
ANGLES ±				
FINISH -				
MATERIAL -				