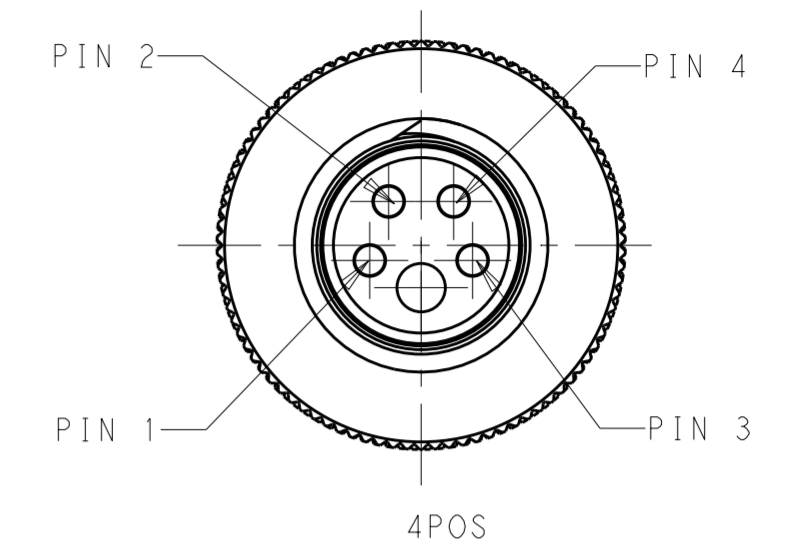
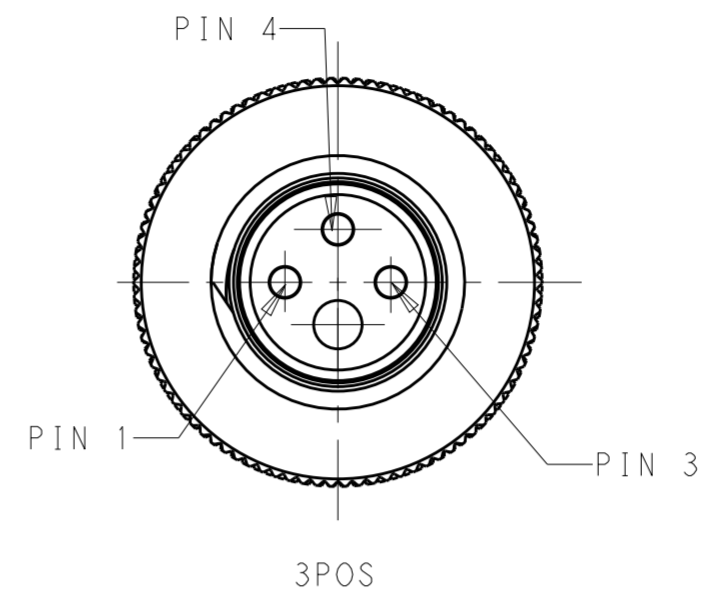
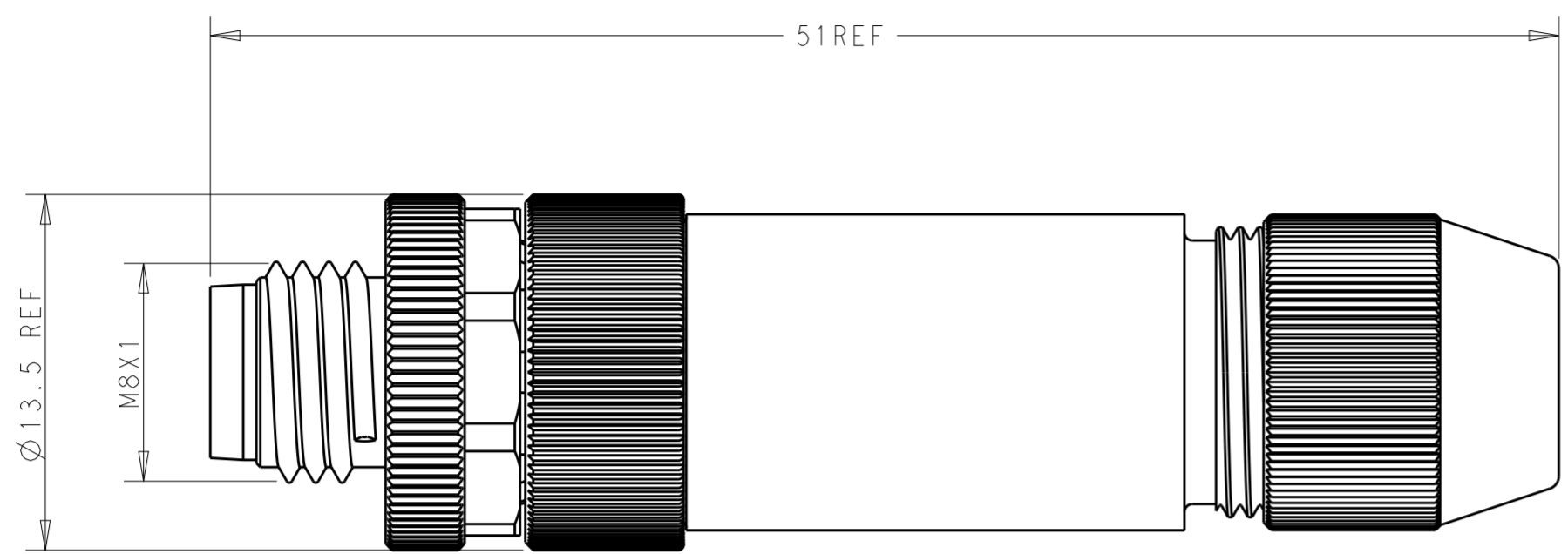
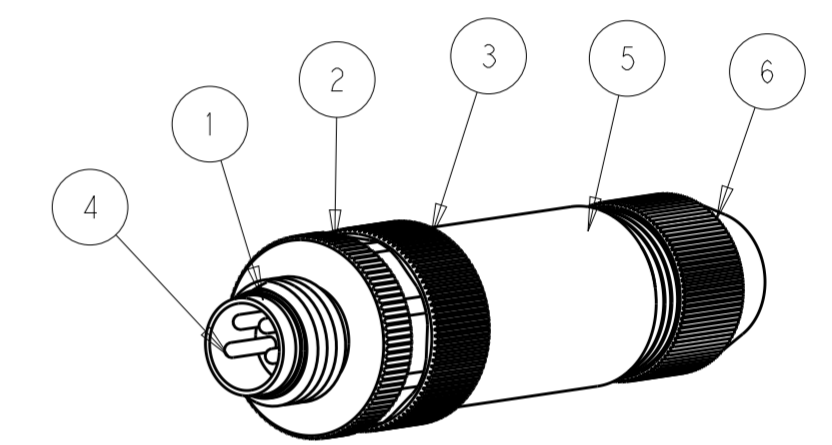
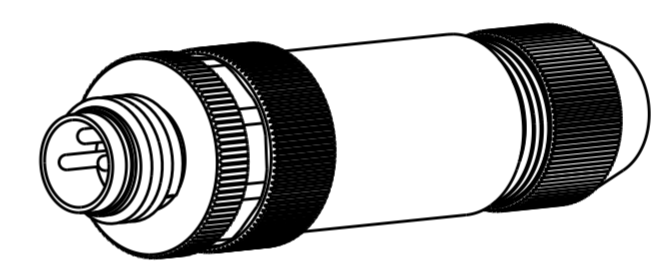


THIS DRAWING IS UNPUBLISHED. RELEASED FOR PUBLICATION 20
 © COPYRIGHT 20 BY - ALL RIGHTS RESERVED.

REVISIONS					
P	LTR	DESCRIPTION	DATE	DWN	APVD
A		INITIAL RELEASED	11APR2016	L.Z	X.X
B		EC-16-011351 NEW REVISE	01JUL2016	L.Z	X.X
C		ECR-17-011756	02SEP2017	S.C	C.W



OPERATION TEMPERATURE	-40~85°C	-40~85°C
DEGREE OF PROTECTION	IP67	IP67
INSULATION RESISTANCE	>100MΩ	>100MΩ
MATERIAL GROUP	II	II
OVERVOLTAGE CATEGOR	II	II
POLLUTION DEGREE	3	3
RATED CURRENT	3A	3A
RATED VOLTAGE	30V	60V
TECHNICAL DATA	T401101904X-000	T401101903X-000



- NOTES;
- PARTS MATERIAL DATA: SEE TABLE 1
 - CONTACT FINISH:
GOLD OVER NICKEL OR SILVER OVER NICKEL
 - CABLE WIRES:
26AWG/0.14mm² Min & 24AWG/0.25mm² Max
 - ALL DIMENSIONS ARE FOR NOMINAL REFERENCE ONLY UNLESS OTHERWISE STATE
 - PACKAGING: 1 PIECE IN A BAG
 - PN INFORMATION FOR ASSEMBLY PARTS
T401101XXXX-000

- CONTACT FINISH:
1: GOLD OVER NICKEL
2: SILVER OVER NICKEL
- NUMBERS OF PINS:
03: 3 PINS
04: 4 PINS
...
- CABLE OUTLET:
8: PLASTIC (CABLE FEED: 3.5~4.8mm)
9: METAL (CABLE FEED: 3.5~5.0mm)
...

- 注意事项:
- 零件材料参见附表1
 - 表面处理: 镀金
 - 适用线材: 26AWG/0.14mm² Min & 24AWG/0.25mm² Max
 - 所有尺寸标注为基本参考, 除非其它说明
 - 包装: 每BAG装IPC
 - 料号数字代码参考上表

TABLE 1

MATERIAL	DESCRIPTION	ITEM
BRASS	PRESS SCREW	6
BRASS	STRAIGHT METAL HOUSING	5
BRASS	M8 SCREW ASSY PLUG TERMINAL	4
BRASS	M8 SCREW ASSY OUT SCREW	3
BRASS	M8, MALE INSERT NUT	2
PA	M8, MALE HSG, A CODE, 4PIN	1
	M8, MALE HSG, A CODE, 3PIN	

T4011019042-000	RPC-M8-MS-4CON-PG7-SH	OBSOLETE
T4011019041-000	RPC-M8-MS-4CON-PG7-SHU	
T4011019032-000	RPC-M8-MS-3CON-PG7-SH	OBSOLETE
T4011019031-000	RPC-M8-MS-3CON-PG7-SHU	
TE PN	TYPE	

THIS DRAWING IS A CONTROLLED DOCUMENT.		DWN: 11APR2016 LEAR ZHANG	TE Connectivity	
DIMENSIONS: mm		CHK: KOBBY ZHAO		
TOLERANCES UNLESS OTHERWISE SPECIFIED:		APVD: XU XIANG	PRODUCT SPEC: 108-106140	
0 PLC ± 1 PLC ±0.20 2 PLC ±0.20 3 PLC ±0.20 4 PLC ± ANGLES ± FINISH -		APPLICATION SPEC: 114-137144-1	RESTRICTED TO: -	
MATERIAL: -		WEIGHT: -	SCALE: 2:1	
CUSTOMER DRAWING		DRAWING NO: T40110190XX000	SHEET 1 OF 1	