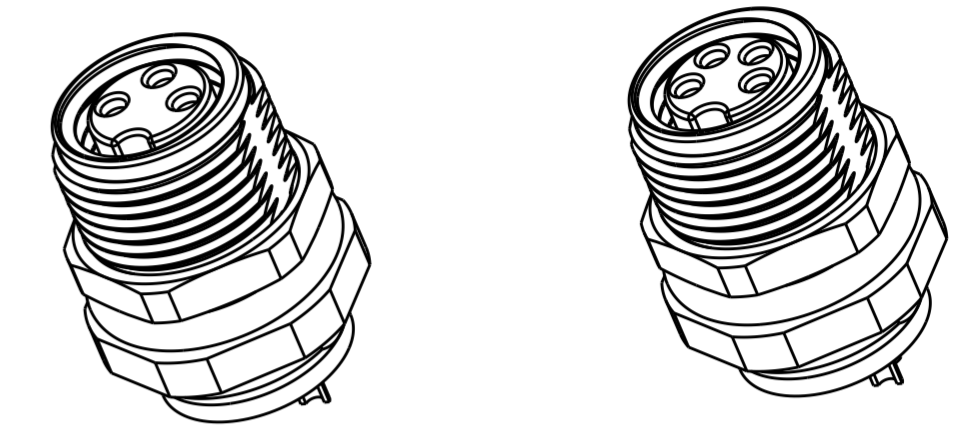
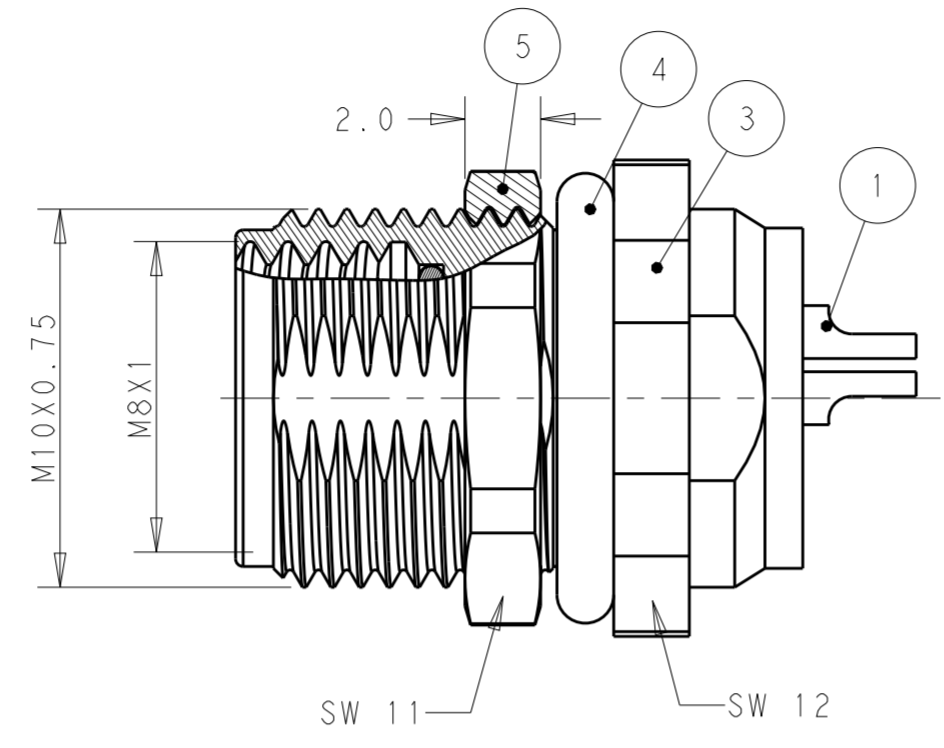
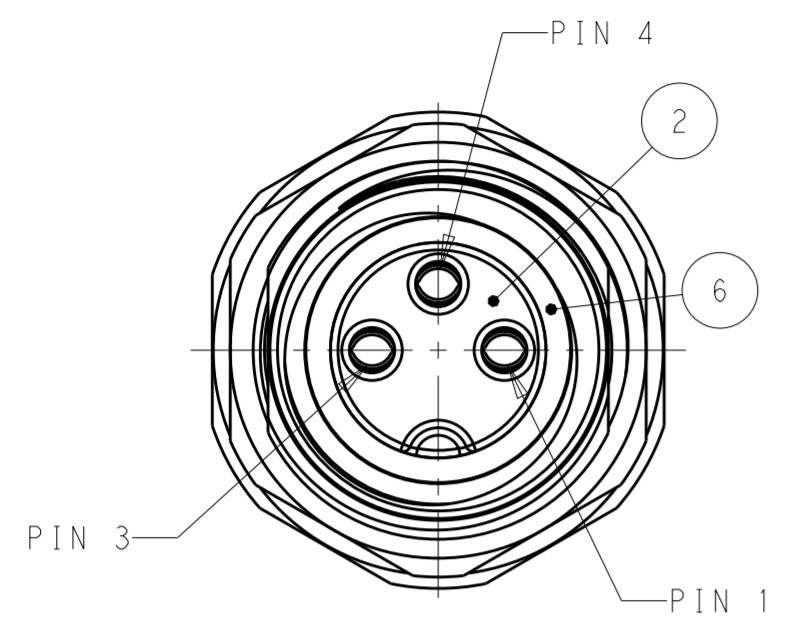


THIS DRAWING IS UNPUBLISHED. RELEASED FOR PUBLICATION 20
 © COPYRIGHT 20 BY - ALL RIGHTS RESERVED.

REVISIONS				
P	LTR	DESCRIPTION	DATE	APVD
	A	INITIAL RELEASE	19DEC2016	N.P X.X

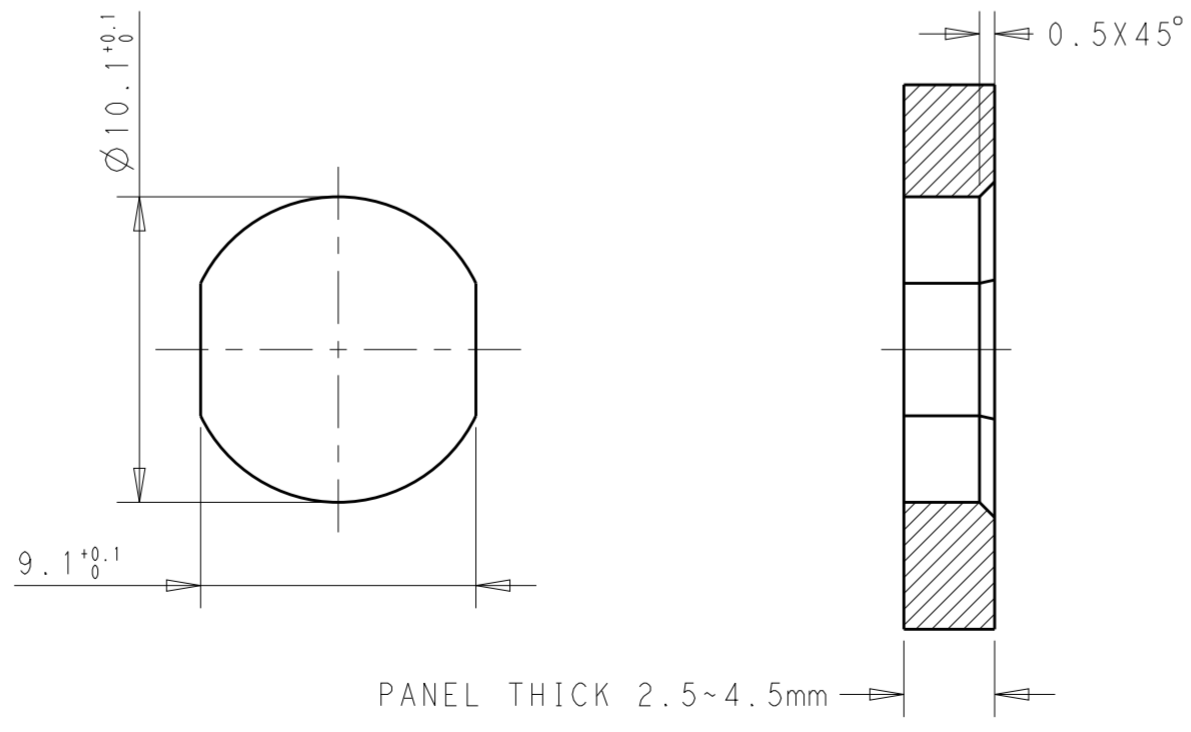
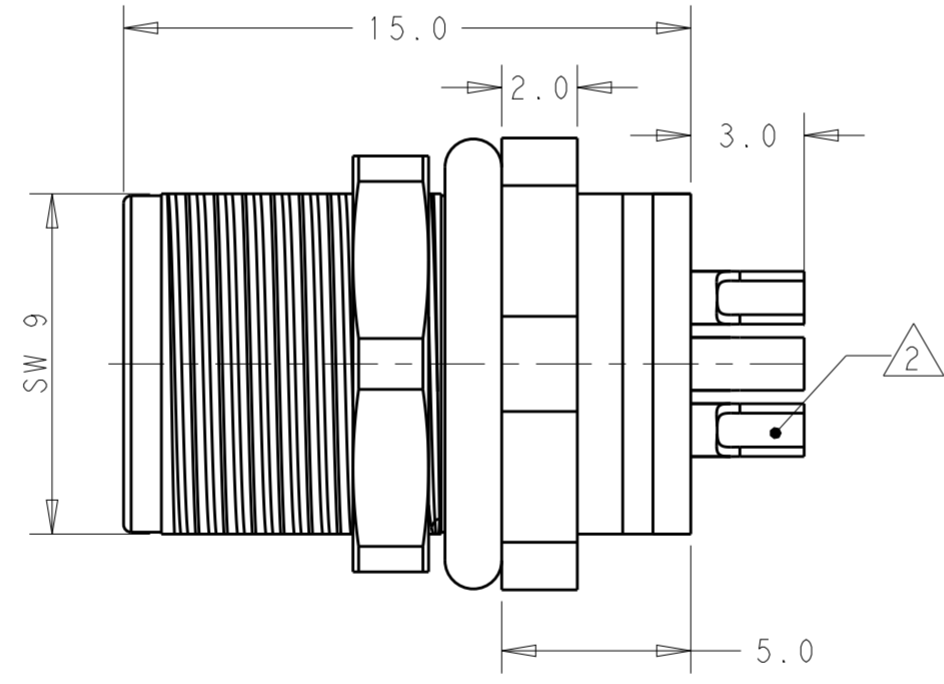
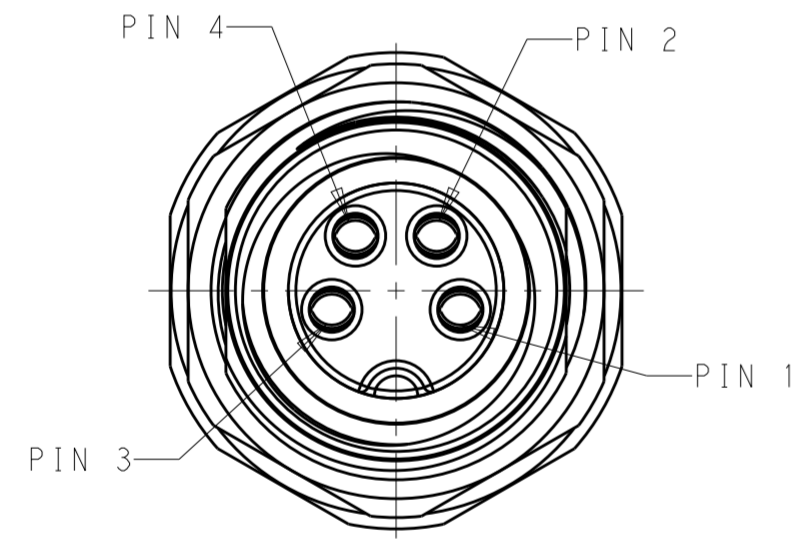


NOTES:

- 1. TECHNICAL DATA: SEE TABLE 1
- 2. CONTACT SOLIDER CUP.
- 3. THE WIRE COLOR FOR SOLIDERING: PIN 1 BROWN; PIN 2 WHITE; PIN 3 BLUE; PIN 4 BLACK;
- 4. ALL PRODUCT MUST COMPLIANCE WITH ROHS AND REACH.

注意事项

- 1. 技术参数: 见表1
- 2. 端子焊杯;
- 3. 焊接线的颜色: PIN 1棕色, PIN 2白色, PIN 3蓝色, PIN 4黑色;
- 4. 产品必须符合ROHS与REACH.



RECOMMENDED PANEL SIZE

TABLE 1

TECHNICAL DATA	T4031017031-000	T4031017041-000
RATED IMPULSE VOLTAGE	1500V	800V
RATED VOLTAGE	60V	30V
RATED CURRENT	3A	
OVERVOLTAGE CATEGORY	II	
MATERIAL GROUP	II	
DEGREE OF PROTECTION	IP67	
TEMPERATURE	-40°C~85°C	

MATERIAL	DESCRIPTON	ITEM
RUBBER	O-RING	6
COPPER ALLOY	NUT	5
RUBBER	O-RING	4
COPPER ALLOY	BODY NUT	3
PA66	HOUSING	2
COPPER ALLOY	CONTACT	1

TYPE	POS.	PART NUMBER
RPC-M8-FF-4CON-M10-LAU	4	T4031017041-000
RPC-M8-FF-3CON-M10-LAU	3	T4031017031-000

THIS DRAWING IS A CONTROLLED DOCUMENT.		DWN Nick Pan 28NOV2016
DIMENSIONS: mm		CHK Kobby Zhao 28NOV2016
TOLERANCES UNLESS OTHERWISE SPECIFIED:		APVD Xiang Xu 28NOV2016
0 PLC	±	PRODUCT SPEC
1 PLC	±0.25	108-106140
2 PLC	±0.15	APPLICATION SPEC
3 PLC	±0.10	114-137144-1
4 PLC	±	WEIGHT
ANGLES	±	
FINISH	-	
MATERIAL TBD	finish_spec_2	CUSTOMER DRAWING

STE TE Connectivity

M8 PANEL CONNECTOR SOLDERING WIRE FEMALE SIDE, UNSHIELDED, REAR MOUNTING

SIZE A2	CAGE CODE -	DRAWING NO. T40310170X1000	RESTRICTED TO -
SCALE 5:1	SHEET 1 OF 1	REV A	