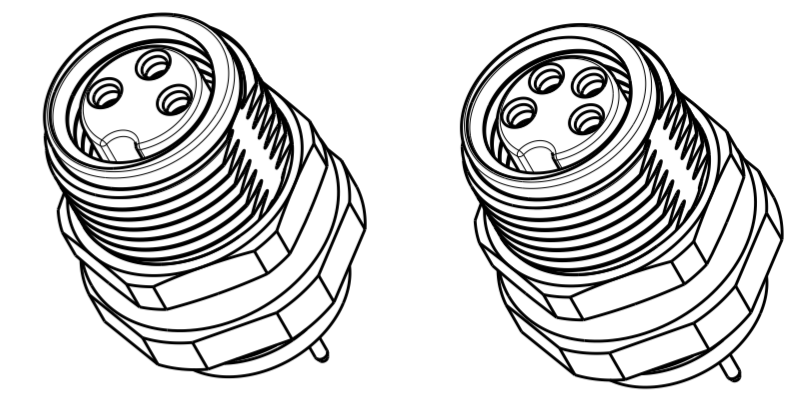
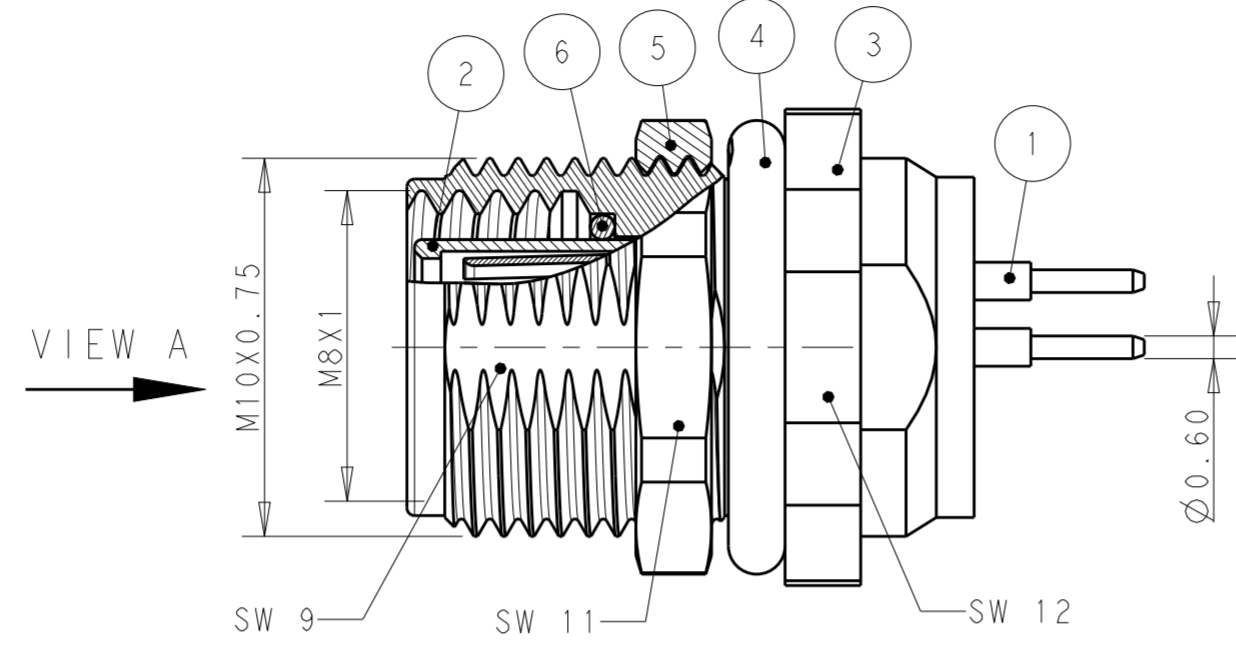
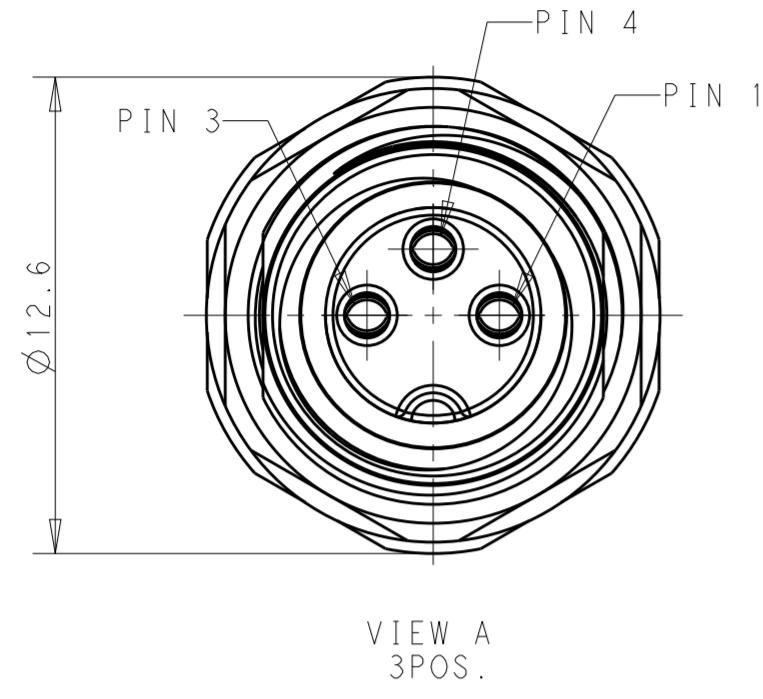
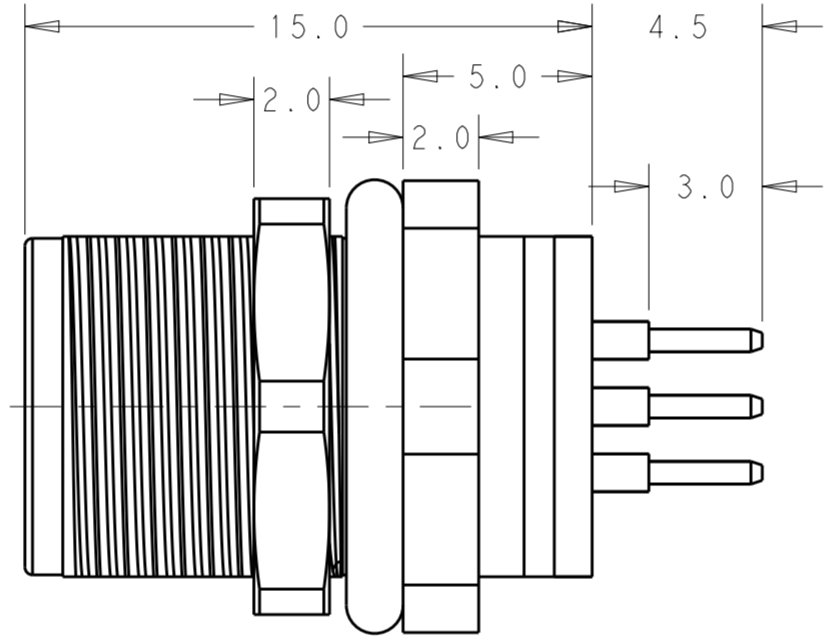
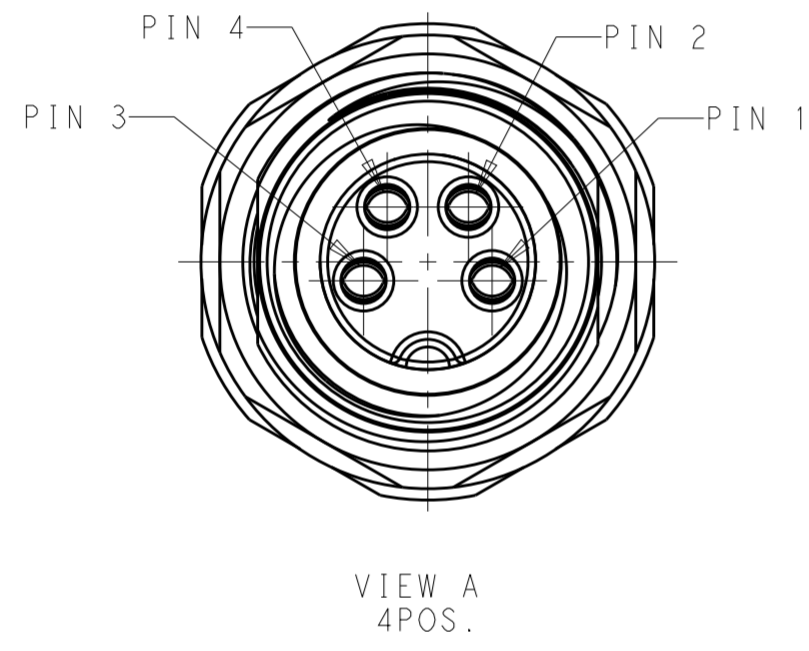


THIS DRAWING IS UNPUBLISHED. RELEASED FOR PUBLICATION
 © COPYRIGHT copyright.d8Te- ALL RIGHTS RESERVED.

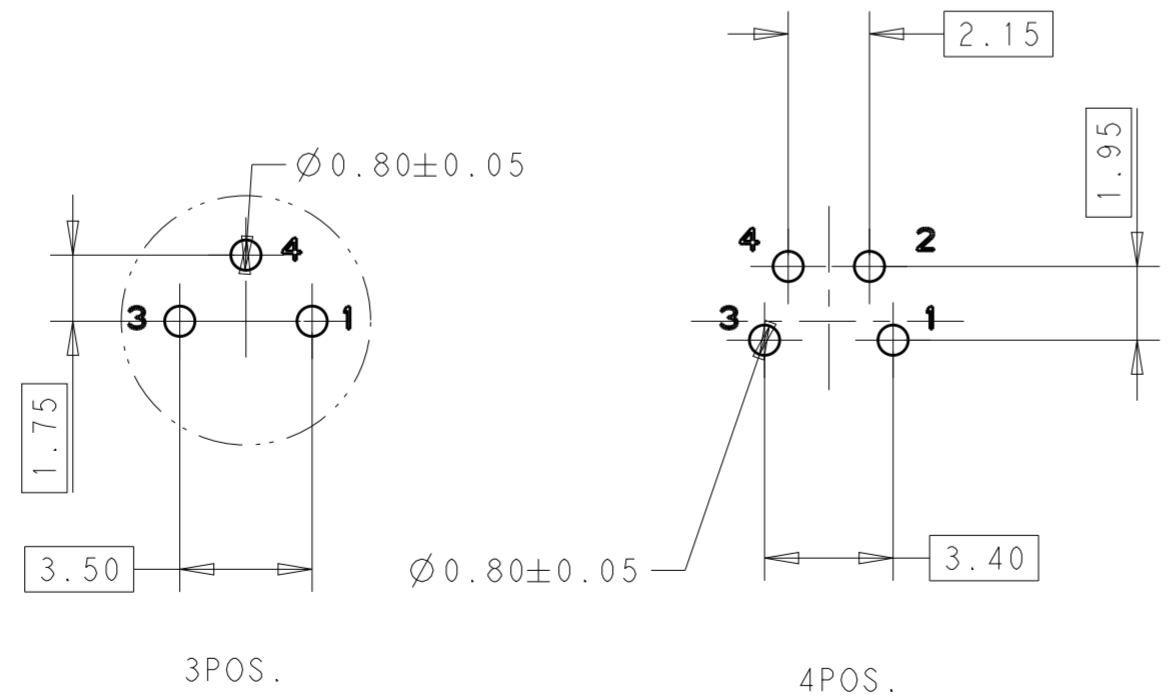
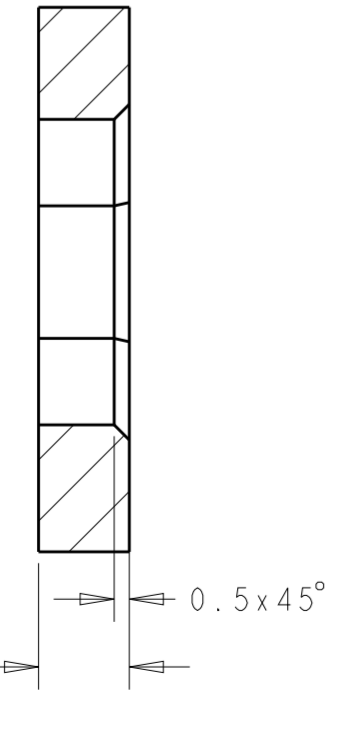
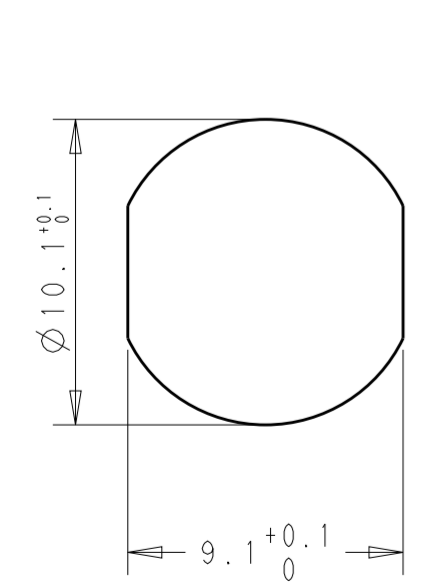
REVISIONS				
P	LTR	DESCRIPTION	DATE	APVD
A		INITIAL RELEASE	30NOV2016	N.P X.X



- NOTES:
1. TECHNICAL DATA: SEE TABLE 1
 2. PIN ASSIGNMENT SEE VIEW A.
 3. ALL PRODUCT MUST COMPLIANCE WITH ROHS AND REACH.



- 注意事项
1. 技术参数：见表1
 2. 端子分布见图A；
 3. 产品必须符合ROHS与REACH。



RECOMMENDED PCB LAYOUT
 PCB THICKNESS: 1.6mm

TABLE 1

TECHNICAL DATA	T4041017031-000	T4041017041-000
RATED IMPULSE VOLTAGE	1500V	800V
RATED VOLTAGE	60V	30V
RATED CURRENT	3A	
OVERVOLTAGE CATEGORY	II	
MATERIAL GROUP	II	
DEGREE OF PROTECTION	IP67	
TEMPERATURE	-40°C~85°C	

MATERIAL	DESCRIPTION	ITEM
RUBBER	O-RING	6
COPPER ALLOY	NUT	5
RUBBER	O-RING	4
COPPER ALLOY	BODY NUT	3
PA66 UL94-V0	HOUSING	2
GOLD PLATED	CONTACT	1

TYPE	POS.	PART NUMBER
RPC-M8-FF-4CON-M10-LBU	4	T4041017041-000
RPC-M8-FF-3CON-M10-LBU	3	T4041017031-000

THIS DRAWING IS A CONTROLLED DOCUMENT.		DWN Nick Pan 29NOV2016
DIMENSIONS: mm		CHK Kobby Zhao 29NOV2016
TOLERANCES UNLESS OTHERWISE SPECIFIED:		APVD Xiang Xu 29NOV2016
0 PLC	±	PRODUCT SPEC
1 PLC	±0.25	108-106140
2 PLC	±0.15	APPLICATION SPEC
3 PLC	±	114-137144-1
4 PLC	±	WEIGHT
ANGLES	±	-
FINISH	-	finish_spec_2
MATERIAL	TBD	CUSTOMER DRAWING

STE TE Connectivity

NAME: M8 PANEL PCB CONNECTOR FEMALE SIDE REAR MOUNTING

SIZE: A2 CAGE CODE: - DRAWING NO: T40410170X1000 RESTRICTED TO: -

SCALE: 3:1 SHEET: 1 OF 1 REV: A