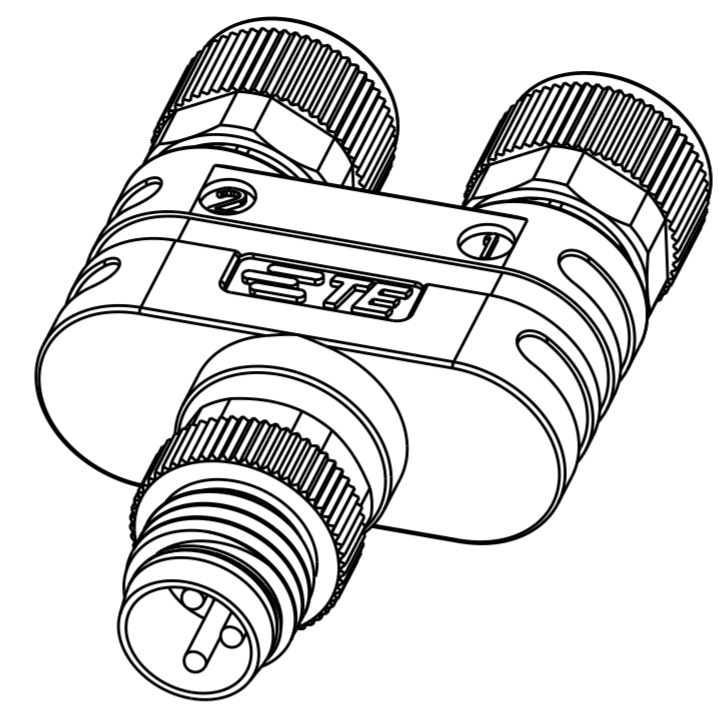
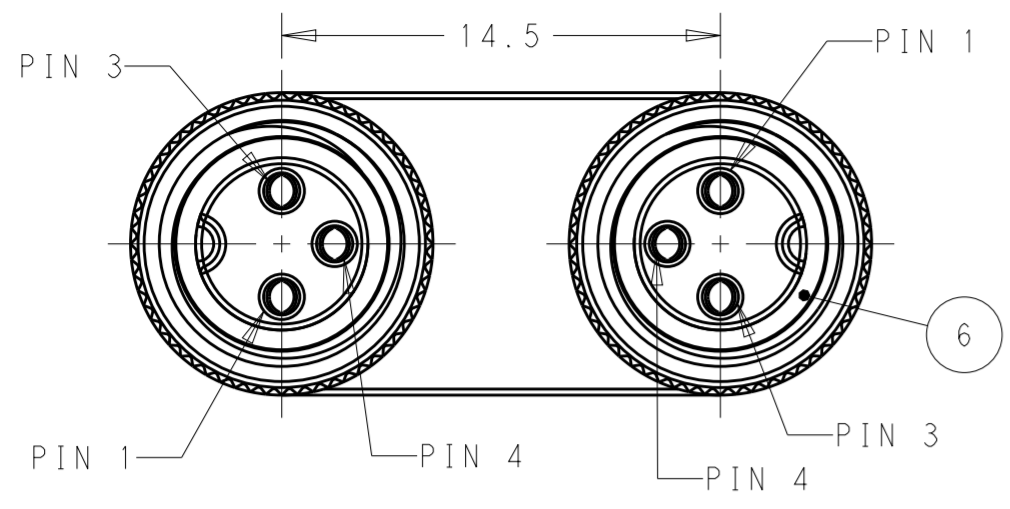
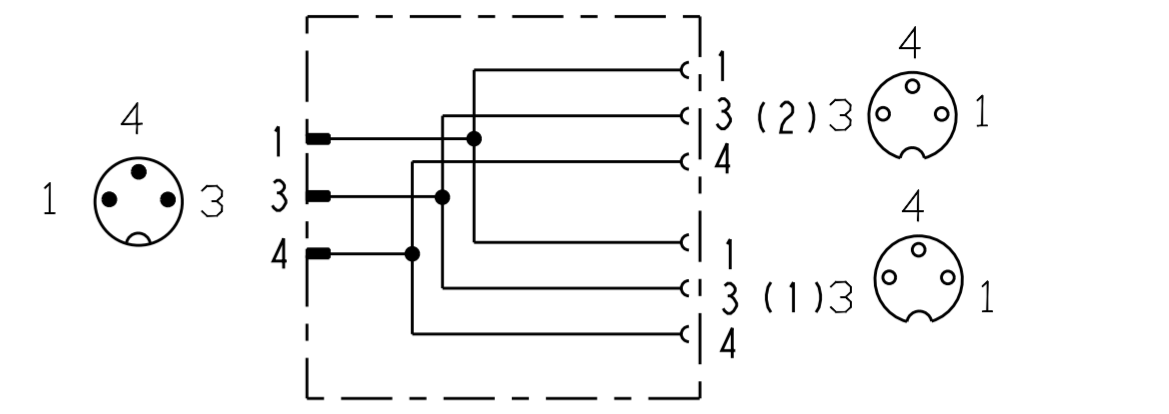


THIS DRAWING IS UNPUBLISHED. RELEASED FOR PUBLICATION
 © COPYRIGHT copyright_d8Te- ALL RIGHTS RESERVED.

REVISIONS					
P	LTR	DESCRIPTION	DATE	DWN	APVD
A		INITIAL RELEASE	02MAR2017	N.P	X.X
A1		ECR-17-013979	25OCT2017	B.P	C.W



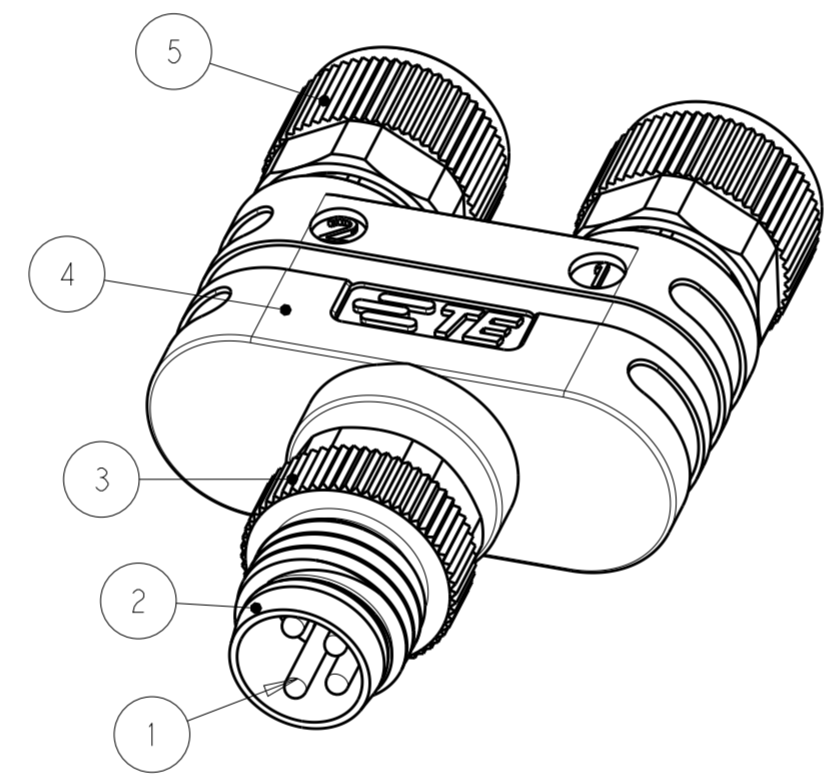
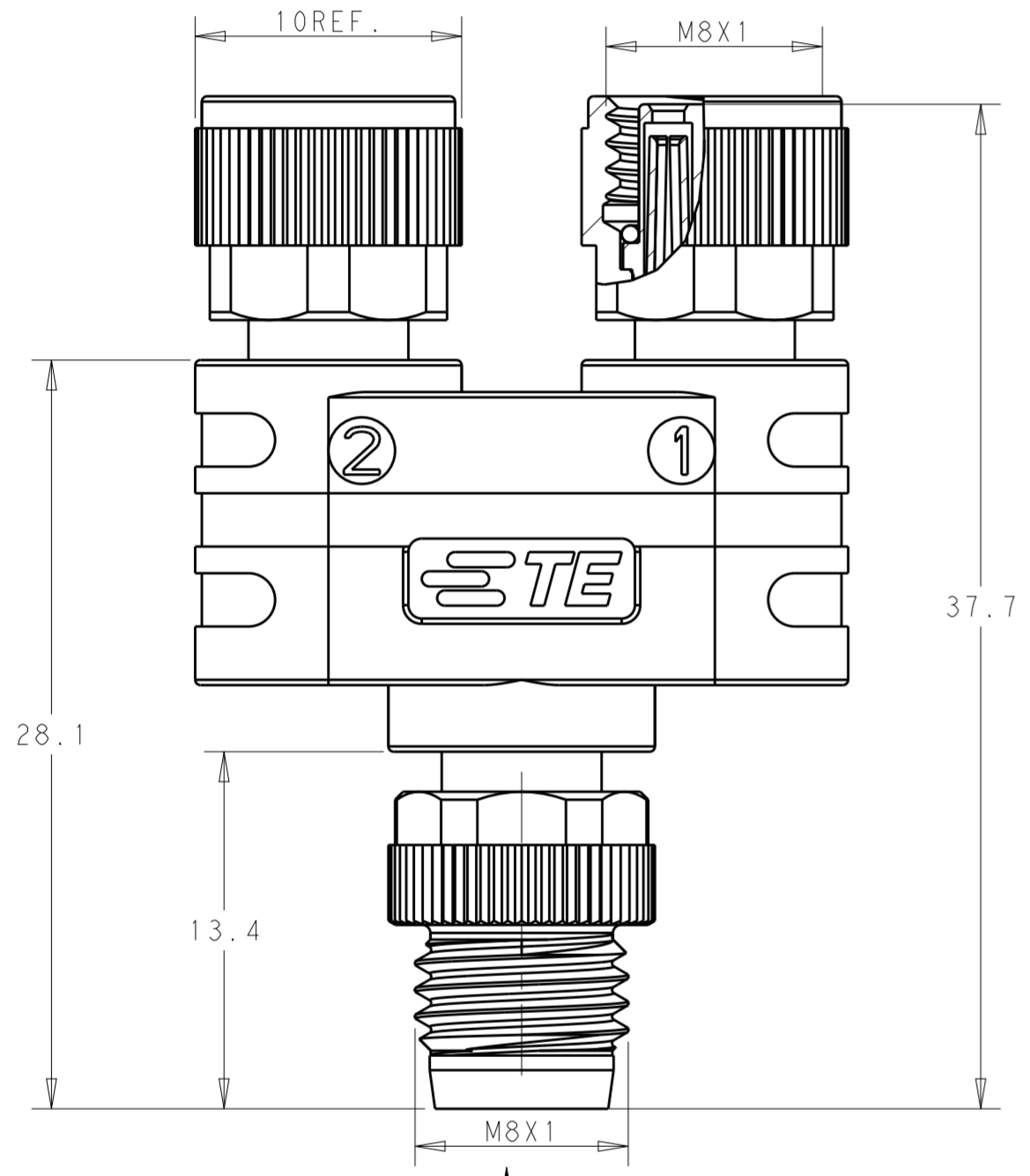
M8 Y1 CONNECTOR



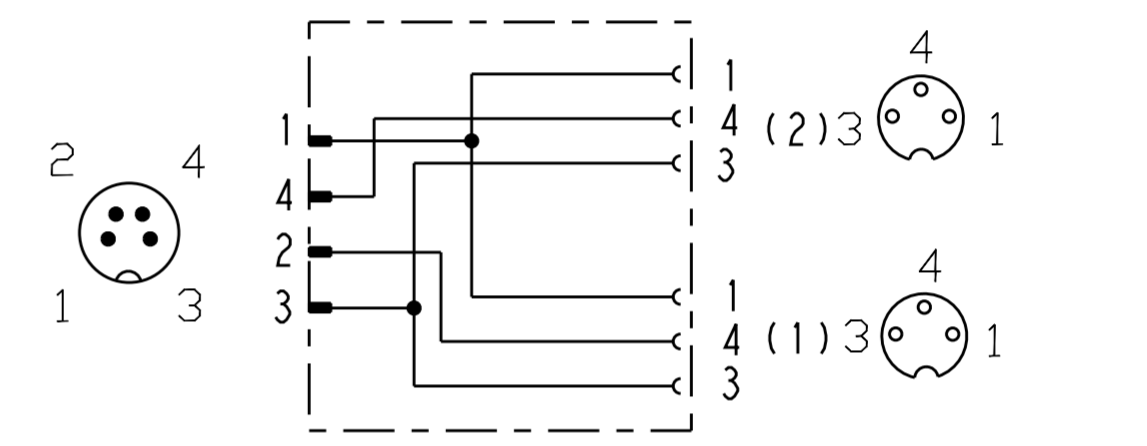
M8, Male, 3-pole

M8, Female, 3-pole

Y1 WIRING DIAGRAM



M8 Y2 CONNECTOR



M8, Male, 4-pole

M8, Female, 3-pole

Y2 WIRING DIAGRAM

TABLE 1

TECHNICAL DATA	T4081112003-000	T4081122004-000
RATED VOLTAGE	60V	30V
RETAED CURRENT	3A	
POLLETION DEGREE	3	
DEGREE OF PROTECTION	IP67	
OPERATION TEMPERATURE	-25°C-85°C	

NOTES:

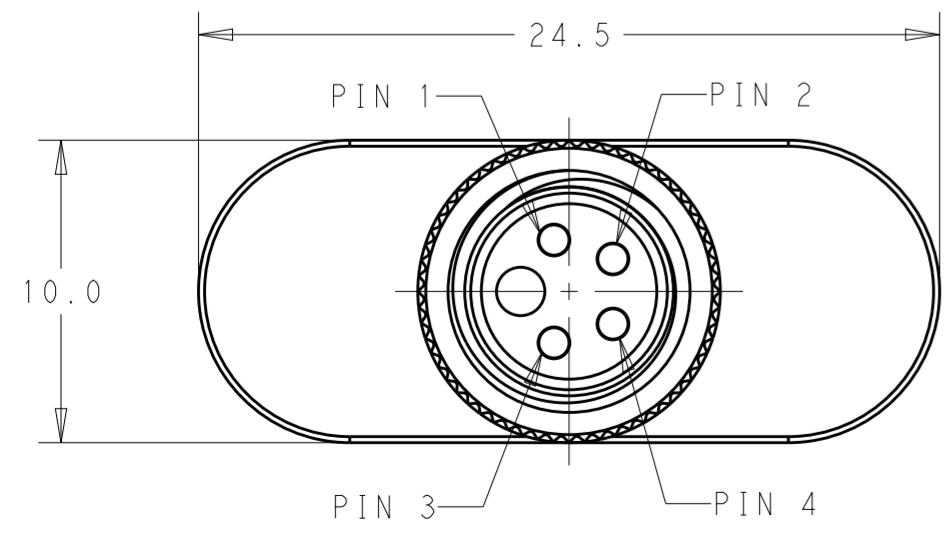
1. TECHNICAL DATA: SEE TABLE 1;
2. PRODUCT WIRING REFER TO Y1&Y2 DIAGRAM;
3. ALL PRODUCTS MUST COMPLIANCE WITH ROHS & REACH.

备注:

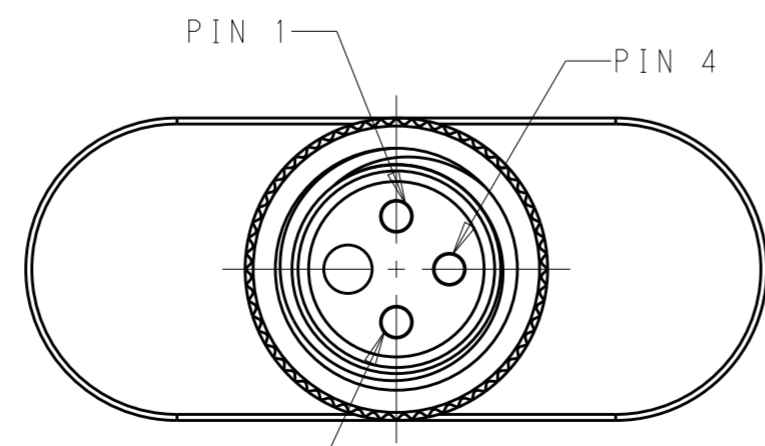
1. 技术参数见表1;
2. 接线参考Y1与Y2接线图;
3. 产品需要符合ROHS与REACH

MATERIAL	COMPONENTS	ITEM
RUBBER	O-RING	6
COPPER ALLOY	NUT	5
TPU	OVERMOULD	4
COPPER ALLOY	NUT	3
PA	HOUSING	2
COPPER ALLOY	CONTACT	1

DESCRIPTION	TYPE	PART NUMBER
M8 Y2型4针转接头(中心距14.5)	Y2	T4081122004-000
M8 Y1型3针转接头(中心距14.5)	Y1	T4081112003-000



VIEW A
4POS. Y2



VIEW A
3POS. Y1

THIS DRAWING IS A CONTROLLED DOCUMENT.		DWN Nick Pan 17FEB2017	TE Connectivity	
DIMENSIONS: mm		CHK Chirs Wang 17FEB2017		
TOLERANCES UNLESS OTHERWISE SPECIFIED:		APVD Xiang Xu 17FEB2017	NAME M8 Y DISTRIBUTOR	
0 PLC ±		PRODUCT SPEC 108-116140	SIZE A2	
1 PLC ±0.25		APPLICATION SPEC	CAGE CODE	
2 PLC ±0.15		WEIGHT	DRAWING NO. T40811X200X000	
3 PLC ±		FINISH	RESTRICTED TO	
4 PLC ±		SCALE 3:1	SHEET 1 OF 1	
ANGLES ±		CUSTOMER DRAWING	REV A1	
FINISH				