

THIS DRAWING IS UNPUBLISHED. RELEASED FOR PUBLICATION
 © COPYRIGHT copyright.d8Te- ALL RIGHTS RESERVED.

REVISIONS				
P	LTR	DESCRIPTION	DATE	APVD
A2		ECR-16-010931 UPDATE NAME	02AUG2016	L.Z X.X

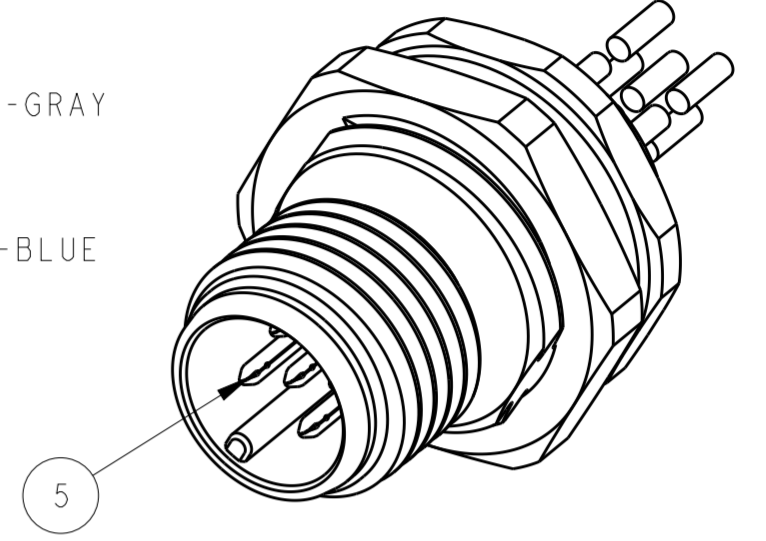
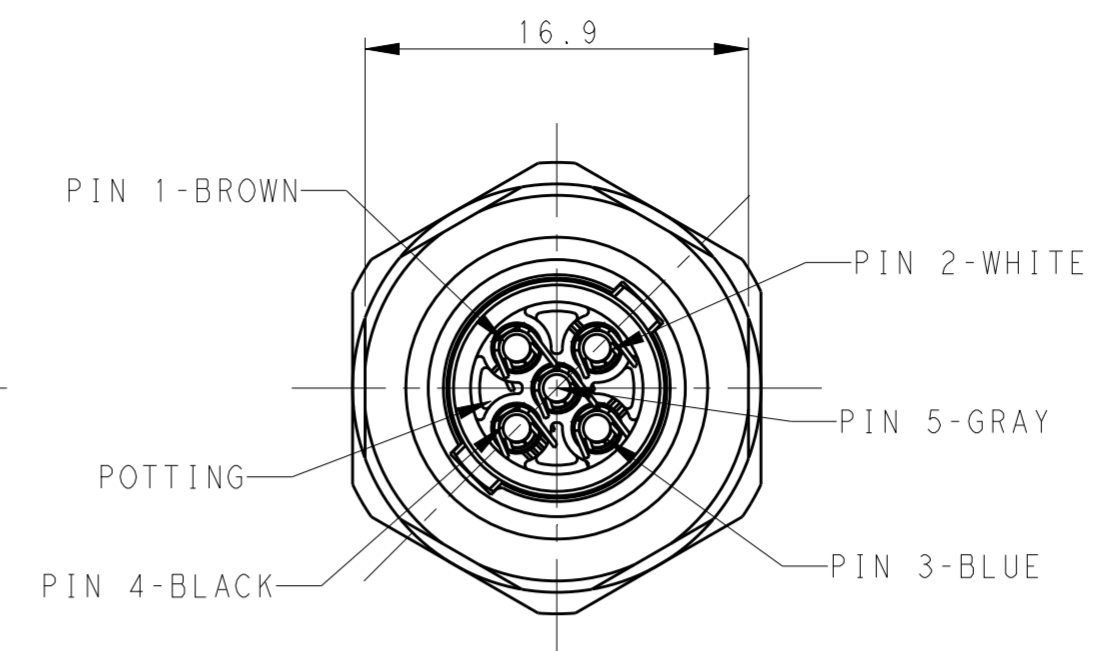
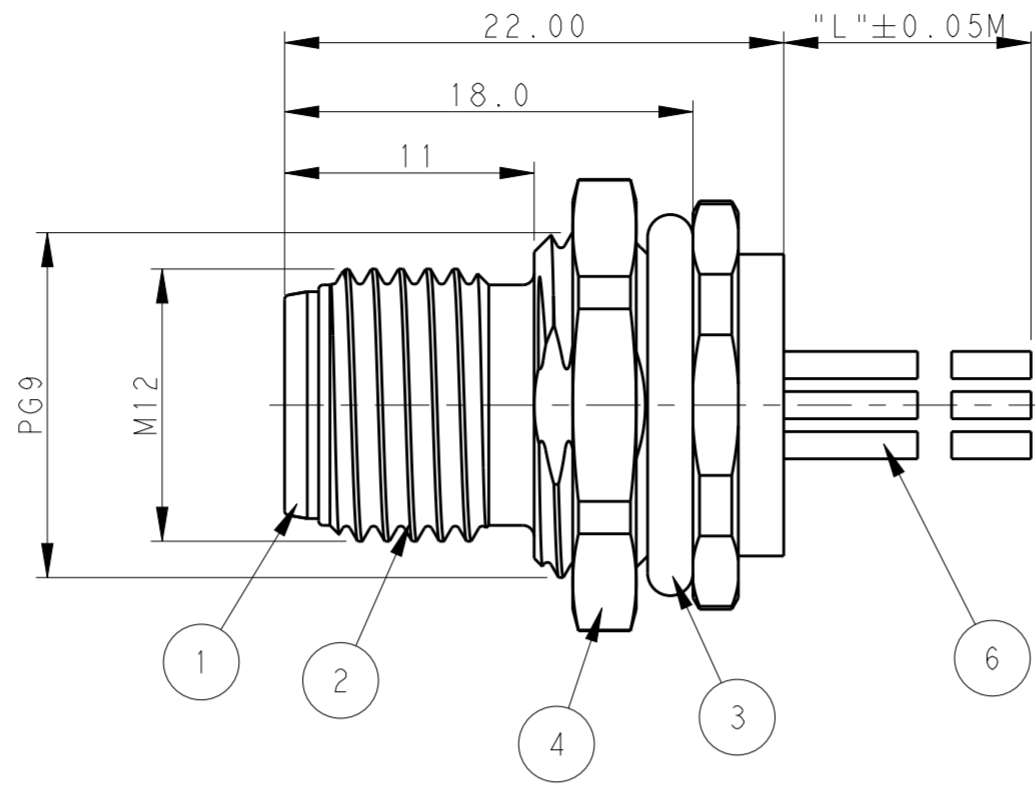
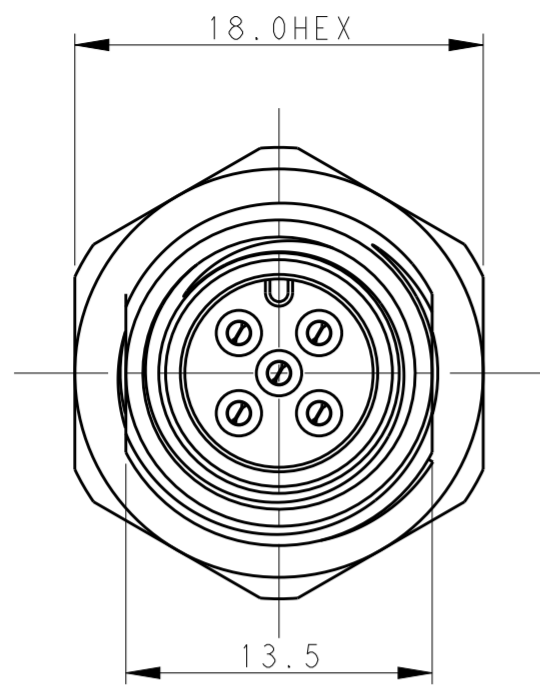


TABLE 1

TECHNICAL DATA	T4171010002-00L	T4171010003-00L	T4171010004-00L	T4171010005-00L
RATED VOLTAGE	250V	250V	250V	60V
RATED CURRENT	4A	4A	4A	4A
POLLUTION DEGREE	3	3	3	3
OVERVOLTAGE CATEGORY	II	II	II	II
MATERIAL GROUP	II	II	II	II
CONTACT RESISTANCE	<=10mΩ	<=10mΩ	<=10mΩ	<=10mΩ
INSULATION RESISTANCE	>100MΩ	>100MΩ	>100MΩ	>100MΩ
DEGREE OF PROTECTION	IP67	IP67	IP67	IP67
OPERATION TEMPERATURE	-40~85°C	-40~85°C	-40~85°C	-40~85°C

NOTE:

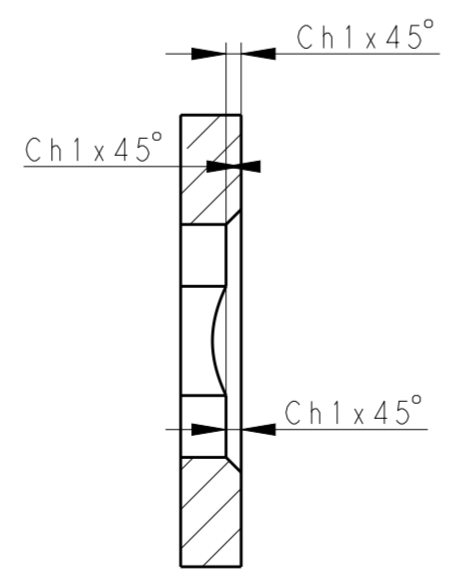
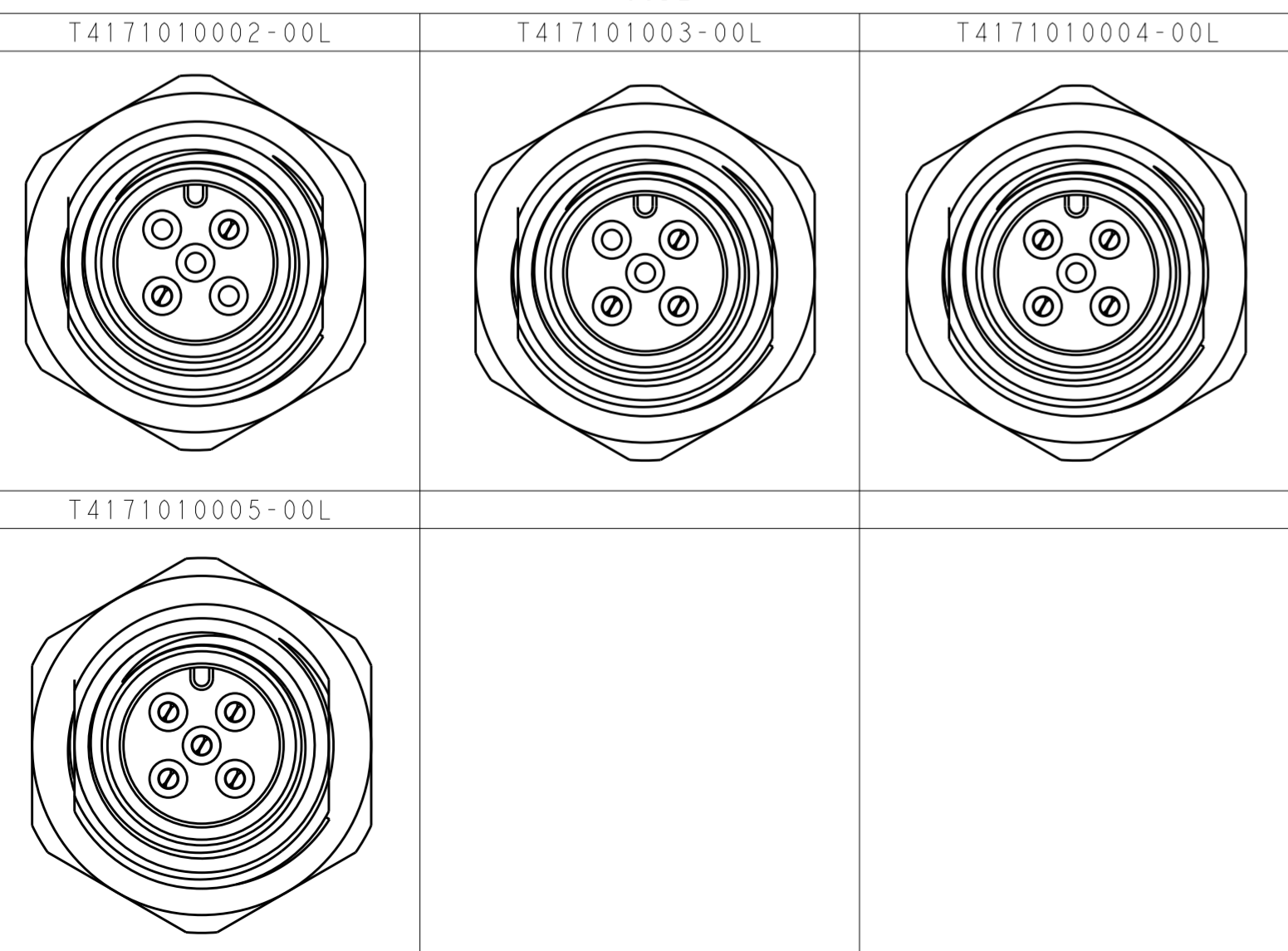
- 1. TECHNICAL DATA: SEE TABLE 1
- 2. PRODUCT COMPLIES WITH IEC61076-2-101
- 3. PLASTIC INERT MATERIAL:UL LISTED WITH UL94V0 FLAME RATING
- 4. CABLE LENGTH SEE TABLE 2

注释:

- 1: 技术参数, 见表1
- 2: 产品符合标准 IEC61076-2-101
- 3: 塑胶材料符合UL标准, UL-94V0阻燃等级
- 4: 线长度见表2

CABLE CHARACTERISTIC	CABLE LENGTH "L"	DESCRIPTION	POS	TABLE 2 PN
WIRES: 0.34MM^2(22AWG) WIRE PN AND COLOR: 1(BR)/2(WH)/3(BL)/4(BK)/5(GR)	-001: 0.2M -002: 0.5M -003: 1.0M -004: 1.5M -005: 3.0M -006: 5.0M -007: 7.0M -008: 10.0M	RPC-M12-MF-5CON-PG9-**LAU	5	T4171010005-00L
		RPC-M12-MF-4CON-PG9-**LAU	4	T4171010004-00L
		RPC-M12-MF-3CON-PG9-**LAU	3	T4171010003-00L
		RPC-M12-MF-2CON-PG9-**LAU	2	T4171010002-00L

PIN ARRANGEMENT A-CODE



RECOMMENDED PANEL CUTOUT

COMMENT	MATERIAL	DESCRIPTION	ITEM
FLASH GOLD	COPPER ALLOY	CABLE CONTACT	6 2 3 4 5
	COPPER ALLOY	METAL NUT	5 2 3 4 5
	-	O-RING	4 1 1 1 1
	COPPER ALLOY	M12, MALE, METAL BODY	3 1 1 1 1
BLACK	NYLON	M12, MALE HSG, A CODE, 5PINS	2 1 1 1 1

THIS DRAWING IS A CONTROLLED DOCUMENT.

DWN: BO GAO 29MAR2016
 CHK: KOBBY ZHAO 29MAR2016
 APVD: XIANG XU 29MAR2016

TE Connectivity

M12 PANEL MOUNT CONNECTOR A CODE, MALE, REAR MOUNTING

108-106140
 114-137144

SIZE: A2 CAGE CODE: - DRAWING NO: T417101000X00L RESTRICTED TO: -
 SCALE: 2:1 SHEET 1 OF 1 REV: A2