

## CODE 66 - TINEL-LOCK BACKSHELL

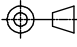


TXR66AB00-1608AI-S

SERIES \_\_\_\_\_  
 TXR: RING INCLUDED  
 (SEE RING OPTION)  
 TX: RING NOT INCLUDED  
 CONNECTOR INTERFACE \_\_\_\_\_  
 MATERIAL \_\_\_\_\_  
 REFER TO CH00-0250-008  
 FINISH \_\_\_\_\_  
 REFER TO CH00-0250-008  
 ANGLE \_\_\_\_\_  
 ORDER NUMBER (TABLE 1) \_\_\_\_\_  
 ENTRY SIZE (TABLE 2) \_\_\_\_\_  
 RING OPTION \_\_\_\_\_  
 AI - TO SUIT SINGLE BRAID  
 BI - TO SUIT DOUBLE BRAID  
 FOR TX, LEAVE BLANK  
 MODIFICATION CODE \_\_\_\_\_  
 REFER TO CH00-0250-008 ②

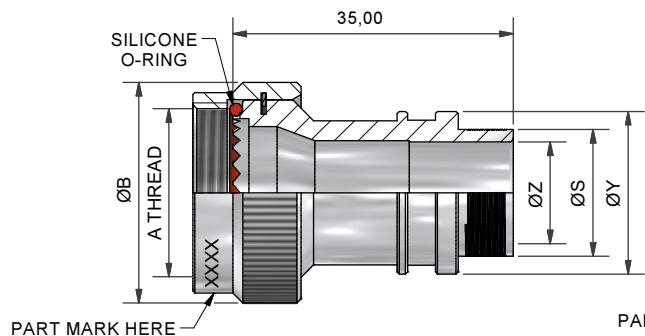
### NOTES:

1. THIS PRODUCT IS DESIGNED TO TERMINATE A BRAIDED CABLE SHIELD AND A HEAT SHRINKABLE LIPPED BOOT TO A CONNECTOR.
- ② FOR ADDITIONAL DIMENSIONS, ORDERING INFORMATION AND MODIFICATIONS, SEE CH00-0250-008.
- ③ SEE DRAWING TR FOR DETAIL ON TINEL-LOCK RING, RINGS ARE DESIGNED TO BE HEATED ELECTRICALLY, ALL RINGS ARE MARKED WITH THERMOCHROMIC PAINT WHICH CHANGES COLOUR WHEN INSTALLATION TEMPERATURE IS REACHED.
4. BACKSHELL TO BE PERMANENTLY MARKED/BAGGED AND LABELLED WITH CODE IDENTIFICATION NUMBER AND PART NUMBER LESS RING DESIGNATOR. (e.g. 06090-TXR66AB00-2012). RING SHALL BEAR NO MARKING.
- ⑤ FOR LARGER ENTRY SIZES, A 2 PIECE BACKSHELL ASSEMBLY (TYPE 2) IS SUPPLIED.
6. BACKSHELL MATES TO: LITTON-VEAM VG5234 CONNECTORS, CIR SERIES, 06, 07 AND 08, LESS ALL BACKSHELLS.

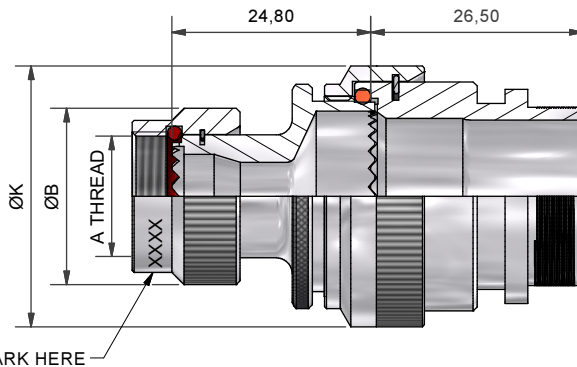
If this document is printed it becomes uncontrolled. Check for the latest revision

DRAWN	K.WINCZURA	DATE	07/05/2015	 3RD ANGLE PROJECTION NOT TO SCALE UNLESS OTHERWISE SPECIFIED ALL DIMENSIONS IN MILLIMETRES GENERAL TOL LINEAR +/-0.25MM ANGULAR +/- 1°	TITLE:	TINEL-LOCK BACKSHELL	 Polanco 										
CHECKED		07/05/2015	ASSY USED ON:					VEAM "CIR" SERIES, 06, 07 AND 08, LESS ALL BACKSHELLS									
APPROVED	K.SHEPPARD	01/06/2015			REVISIONS <table border="1"> <thead> <tr> <th>LTR</th> <th>DESCRIPTION</th> <th>DATE</th> <th>APPROVED</th> </tr> </thead> <tbody> <tr> <td>C</td> <td>REVISED PER ECO-14-001596</td> <td>31/01/2014</td> <td>I.MYONG</td> </tr> <tr> <td>D</td> <td>REVISED PER ECO-15-011999</td> <td>01/09/2015</td> <td>H.SMITH</td> </tr> </tbody> </table>	LTR			DESCRIPTION	DATE	APPROVED	C	REVISED PER ECO-14-001596	31/01/2014	I.MYONG	D	REVISED PER ECO-15-011999
LTR	DESCRIPTION	DATE	APPROVED														
C	REVISED PER ECO-14-001596	31/01/2014	I.MYONG														
D	REVISED PER ECO-15-011999	01/09/2015	H.SMITH														
APPROVED	H.SMITH	01/09/2015															
TE CAGE CODE: 06090 POLAMCO/TE CAGE CODE: U5792					TE CONNECTIVITY - POLAMCO LTD RESERVES THE RIGHT TO AMEND THIS DRAWING AND THE INFORMATION SET FORTH HEREON AT ANY TIME. USERS SHOULD INDEPENDENTLY EVALUATE THE SUITABILITY OF THE PRODUCT FOR THEIR APPLICATION.	DRAWING NO: <b>TXR66</b>	DRAWING REV: <b>D</b>	SHT <b>1</b>									

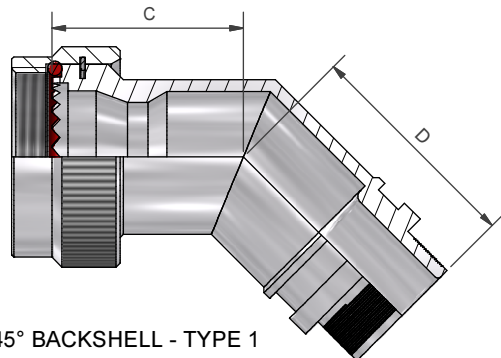
IF MAX ENTRY IS EXCEEDED BACKSHELL  
WILL BE SUPPLIED AS TYPE 2



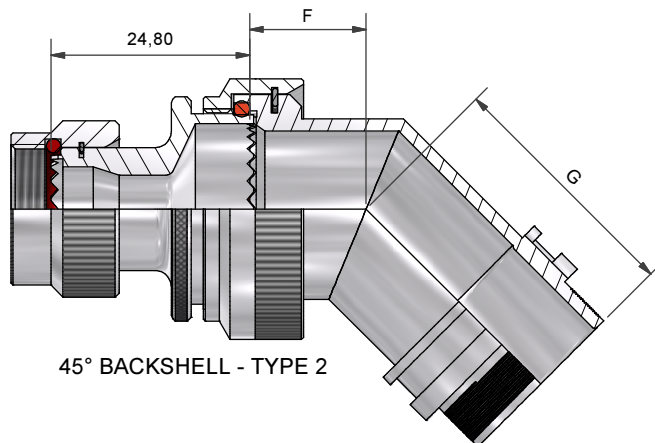
STRAIGHT BACKSHELL - TYPE 1



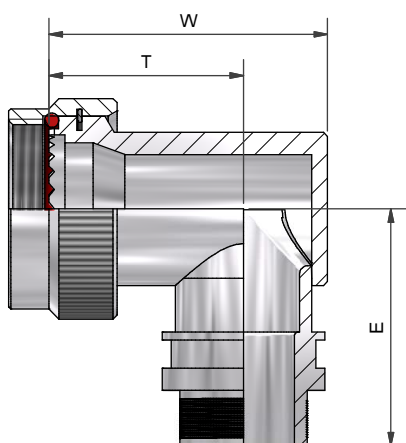
STRAIGHT BACKSHELL - TYPE 2



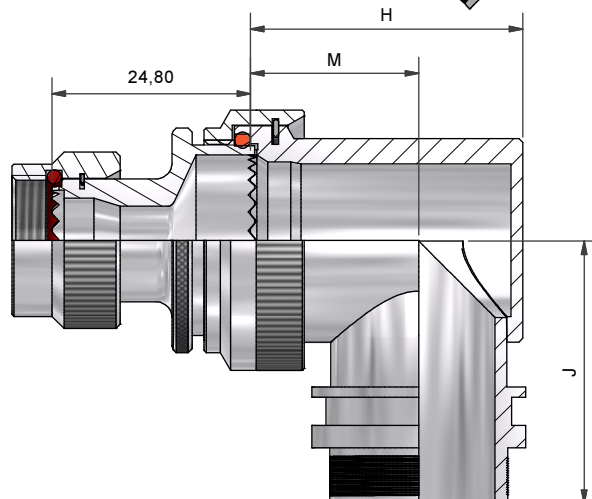
45° BACKSHELL - TYPE 1



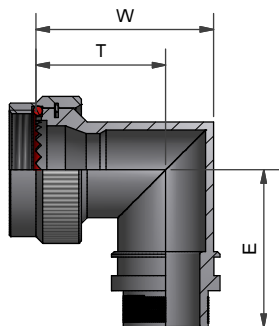
45° BACKSHELL - TYPE 2



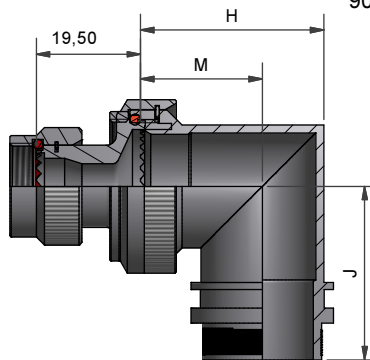
90° BACKSHELL - TYPE 1



90° BACKSHELL - TYPE 2



90° BACKSHELL - TYPE 1  
STAINLESS STEEL AND  
NICKEL ALUMINIUM BRONZE



90° BACKSHELL - TYPE 2  
STAINLESS STEEL AND  
NICKEL ALUMINIUM BRONZE

If this document is printed it becomes uncontrolled. Check for the latest revision

DRAWN	K.WINCZURA	DATE	07/05/2015
CHECKED		DATE	07/05/2015
APPROVED	K.SHEPPARD	DATE	01/06/2015
APPROVED	H.SMITH	DATE	01/09/2015
REVISIONS			
LTR	DESCRIPTION	DATE	APPROVED
C	REVISED PER ECO-14-001596	31/01/2014	I.MYONG
D	REVISED PER ECO-15-011999	01/09/2015	H.SMITH

3RD ANGLE  
PROJECTION  
NOT TO  
SCALE

UNLESS OTHERWISE SPECIFIED  
ALL DIMENSIONS IN MILLIMETRES  
GENERAL TOL  
LINEAR +/-0.25MM  
ANGULAR +/- 1°

TITLE:  
**TINEL-LOCK BACKSHELL**

ASSY USED ON:  
**VEAM "CIR" SERIES, 06, 07 AND 08, LESS ALL  
BACKSHELLS**



TE CAGE CODE: 06090  
POLAMCO/TE CAGE CODE: U5792

TE CONNECTIVITY - POLAMCO LTD RESERVES THE RIGHT TO AMEND THIS DRAWING  
AND THE INFORMATION SET FORTH HEREON AT ANY TIME. USERS SHOULD  
INDEPENDENTLY EVALUATE THE SUITABILITY OF THE PRODUCT FOR THEIR APPLICATION.

DRAWING NO: <b>TXR66</b>	DRAWING REV: <b>D</b>	SHT <b>2</b>
-----------------------------	--------------------------	-----------------

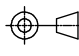


TABLE 1

ORDER NUMBER	CONNECTOR SHELL SIZE	A THREAD	ØB MAX	MAX ENTRY	C ±0,5	D ±0,5	W ±0,5	T ±0,5	E ±0,5	THESE DIMENSIONS APPLY IF BACKSHELL IS STAINLESS STEEL OR NICKEL ALUMINIUM BRONZE		
										W MAX	T ±0,5	E ±0,5
11	10SL	5/8 - 24UNEF	23,1	05	20,3	27,5	29,7	22,0	26,50	30,2	22,0	28,2
14	14S	3/4 - 20UNEF	26,4	07	21,3	28,0	32,8	23,8	27,95	33,3	23,8	28,2
16	16/16S	7/8 - 20UNEF	31,0	08	23,1	29,0	34,8	24,3	29,45	35,3	24,3	29,7
18	18	1 - 20UNEF	34,3	10	24,6	29,7	39,1	27,1	31,00	39,6	27,1	31,2
20	20	1 1/8 - 18UNEF	37,4	12	25,9	30,5	41,4	27,4	32,70	41,9	27,4	32,9
22	22	1 1/4 - 18UNEF	40,6	14	26,4	30,9	45,0	29,5	34,25	45,5	29,5	34,5
24	24	1 3/8 - 18UNEF	43,7	16	27,2	31,1	48,3	31,3	35,80	48,8	31,3	36,1
28	28	1 5/8 - 18UNEF	50,0	18	27,7	32,1	52,3	32,7	38,90	52,8	32,7	39,1
32	32	1 7/8 - 16UN	56,4	22	29,2	31,4	58,4	35,6	42,00	58,9	35,6	48,4
36	36	2 1/16 - 16UNS	62,7	24	30,5	32,3	64,5	39,5	44,70	65,0	39,5	51,4
40	40	2 5/16 - 16UNS	69,1	28	32,0	35,2	73,2	44,2	49,10	73,7	44,2	57,7

TABLE 2

ENTRY SIZE	ØZ MIN	ØS	ØY ± 0,3	ØK MAX	F ±0,5	G ±0,5	H ±0,5	M ±0,5	J ±0,5	THESE DIMENSIONS APPLY IF BACKSHELL IS STAINLESS STEEL OR NICKEL ALUMINIUM BRONZE		
										H ±0,5	M ±0,5	J ±0,5
04	6,35	9,49 +/-0,04	14,00	NA	NA	NA	NA	NA	NA	NA	NA	NA
05	7,92	11,06 +/-0,04	15,50	NA	NA	NA	NA	NA	NA	NA	NA	NA
06	9,53	12,66 +/-0,04	17,10	21,0	12,5	27,5	24,0	15,5	28,0	24,3	17,2	28,2
07	11,10	14,21 +/-0,07	18,70	21,0	12,5	27,5	24,0	15,5	28,0	24,3	17,2	28,2
08	12,70	15,81 +/-0,07	20,30	24,5	13,1	28,0	27,0	17,0	29,5	28,3	19,4	29,7
10	15,88	18,96 +/-0,08	23,50	29,0	13,5	29,0	31,0	19,5	31,0	31,1	21,0	31,2
12	19,05	22,14 +/-0,08	26,70	32,5	14,5	29,7	34,0	21,0	32,7	34,2	22,8	32,9
14	22,23	25,30 +/-0,08	29,80	35,5	15,5	30,5	35,0	20,0	34,3	38,5	25,3	34,5
16	25,40	28,48 +/-0,08	33,00	37,0	16,1	30,9	38,0	21,5	35,8	40,7	26,1	36,1
18	28,58	31,65 +/-0,08	36,20	40,0	16,5	31,1	42,0	24,0	37,4	43,7	27,6	37,6
20	31,75	34,83 +/-0,08	39,40	43,5	17,0	32,1	45,0	25,5	38,9	46,4	29,1	39,1
22	34,93	37,98 +/-0,08	42,50	48,5	18,5	35,3	54,5	31,0	42,0	50,0	31,0	42,0
24	38,10	41,15 +/-0,08	45,70	52,1	21,9	38,1	58,0	33,0	46,0	53,5	33,0	46,0
28	44,45	47,50 +/-0,08	52,00	58,5	26,9	44,4	65,5	36,5	51,1	60,3	36,5	51,1

If this document is printed it becomes uncontrolled. Check for the latest revision

DRAWN	K.WINCZURA	DATE	07/05/2015	 3RD ANGLE PROJECTION NOT TO SCALE	<b>TITLE:</b>  <b>TINEL-LOCK BACKSHELL</b>	 Polamco		
CHECKED		DATE	07/05/2015					
APPROVED	K.SHEPPARD	DATE	01/06/2015				UNLESS OTHERWISE SPECIFIED ALL DIMENSIONS IN MILLIMETRES GENERAL TOL LINEAR +/-0,25MM ANGULAR +/- 1°	
APPROVED	H.SMITH	DATE	01/09/2015					
<b>REVISIONS</b>					<b>ASSY USED ON:</b>  <b>VEAM "CIR" SERIES, 06, 07 AND 08, LESS ALL BACKSHELLS</b>	 TE connectivity		
LTR	DESCRIPTION	DATE	APPROVED					
C	REVISED PER ECO-14-001596	31/01/2014	I.MYONG					
D	REVISED PER ECO-15-011999	01/09/2015	H.SMITH					
TE CAGE CODE: 06090 POLAMCO/TE CAGE CODE: U5792					TE CONNECTIVITY - POLAMCO LTD RESERVES THE RIGHT TO AMEND THIS DRAWING AND THE INFORMATION SET FORTH HEREON AT ANY TIME. USERS SHOULD INDEPENDENTLY EVALUATE THE SUITABILITY OF THE PRODUCT FOR THEIR APPLICATION.	DRAWING NO: <b>TXR66</b>	DRAWING REV: <b>D</b>	SHT <b>3</b>