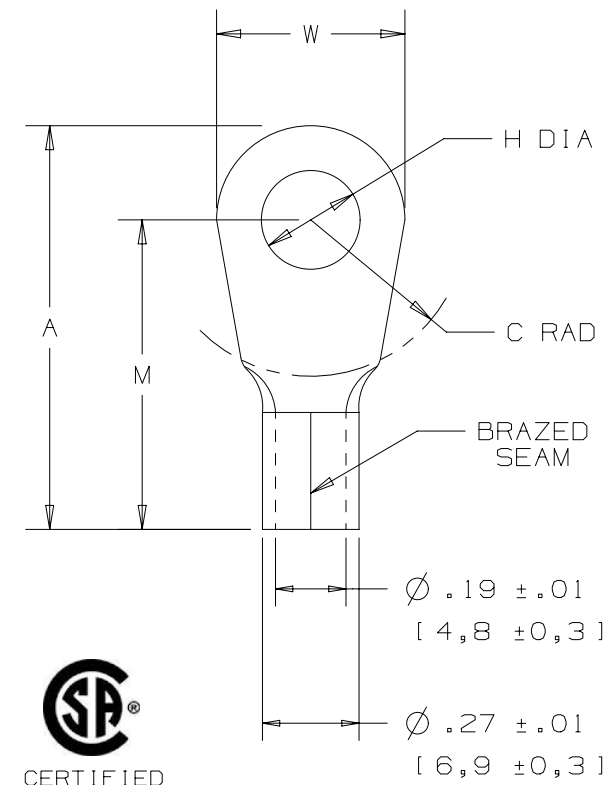


THIS COPY IS PROVIDED ON A RESTRICTED BASIS AND IS NOT TO BE USED IN ANY WAY DETRIMENTAL TO THE INTERESTS OF PANDUIT CORP.

PANDUIT PART NUMBER	STUD SIZE	DIMENSIONS - in [mm]				
		A ± .03 [0,8]	W ± .01 [0,3]	C ± .02 [0,5]	M ± .03 [0,8]	H ± .01 [0,3]
P8-8RN *	#8	1.09 [27,7]	.36 [9,1]	.43 [10,9]	.91 [23,1]	.17 [4,3]
P8-8R	#8	1.12 [28,5]	.42 [10,7]	.43 [10,9]	.91 [23,1]	.17 [4,3]
P8-10R	#10	1.14 [29,0]	.47 [11,9]	.43 [10,9]	.91 [23,1]	.20 [5,1]
P8-14R	1/4"	1.14 [29,0]	.47 [11,9]	.43 [10,9]	.91 [23,1]	.27 [6,9]
P8-56R	5/16"	1.25 [31,8]	.59 [15,0]	.51 [13,0]	.95 [24,1]	.33 [8,4]
P8-38R	3/8"	1.25 [31,8]	.59 [15,0]	.51 [13,0]	.95 [24,1]	.39 [9,9]
P8-12R	1/2"	1.36 [34,5]	.82 [20,8]	.54 [13,7]	.95 [24,1]	.52 [13,2]

UL & CSA TOOLS (DIES)  
 CT-1701 (P8)  
 CT-2600 (CD-2600-P8)



\*P8-8RN NOT CSA CERTIFIED

NOTES:

- UL LISTED AND CSA CERTIFIED FOR:
  - #8 AWG STRANDED COPPER WIRE
  - 302°F (150°C) MAX OPERATING TEMP
  - 2000 VOLTS MAX
- SEE WWW.PANDUIT.COM FOR PACKAGE QUANTITIES
- MATERIAL:
  - STAMPING - .040" [1,02] THK COPPER, TIN PLATED
- DIMENSIONS IN BRACKETS ARE IN MILLIMETERS
- WIRE STRIP LENGTH: 3/8" <sup>+1/32</sup> <sub>-0</sub> [9,5mm <sup>+0,8</sup> <sub>-0</sub>]



TITLE  
 #8 BARREL NON-INSULATED RING TONGUE  
 .280 [7.11] MAX. WIRE INSUL.  
 DIAMETER  
 CUSTOMER DRAWING

ITEM REVISION NAME		N41215BB/11		<b>PANDUIT</b>
DATASET FILE NAME		N41215BB/11		
UNLESS OTHERWISE SPECIFIED, DIMENSIONAL TOLERANCES ARE: IN [mm]				
DRAWN BY		DATE	CHK	SCALE
DAW				NONE
DRAWING NUMBER:				A41215
SHT 1 OF 1				A

REV	DATE	BY	CHK	APR	DESCRIPTION	ECN
11	5/17	JHNU	TMR	RGB	ADDED VOLTAGE RATING	N41215BB-A41215
10	07/15	TMR	TMR	RGB	ADDED CT-2600 TO PKG LABEL, CSA BACK TO DWG, UPDATED DIES	N41215BB-A41215
09	07/14	MBY	JHNU	RGB	REVISED NOTES, MOVED TOOLS TO TABLE, REVISED CERTIFICATION, UPDATED BORDER	N41215BB-A41215

D10100DA/16