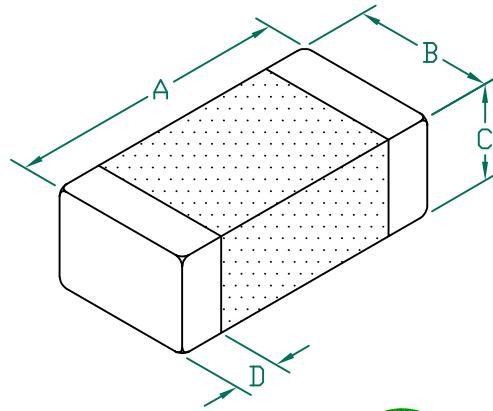


# HZ1206C202R-10

**UNCONTROLLED DOCUMENT**

**PHYSICAL DIMENSIONS:**

A	3.20 [.126]	+ 0.20 [.008]
B	1.60 [.063]	+ 0.20 [.008]
C	1.10 [.043]	+ 0.20 [.008]
D	0.51 [.020]	+ 0.25 [.010]



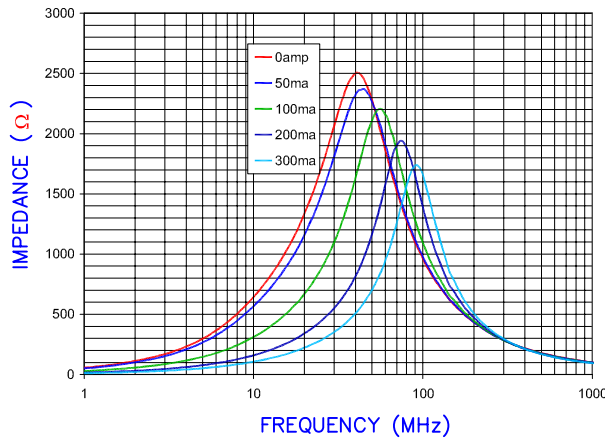
**ELECTRICAL CHARACTERISTICS:**

Z @ 30MHz (Ω)		DCR (Ω)	Rated Current
Nominal	2000		
Minimum	1500		
Maximum	2500	0.50	300 mA

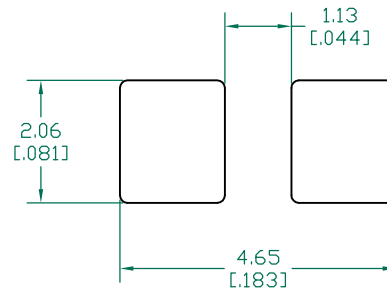
NOTES: UNLESS OTHERWISE SPECIFIED

1. TAPED AND REELED per CURRENT EIA SPECIFICATIONS 7" REELS, 3000 PCS/REEL.
2. TERMINATION FINISH IS 100% TIN.
3. COMPONENTS SHOULD BE ADEQUATELY PREHEATED BEFORE SOLDERING.
4. OPERATING TEMP. RANGE: -40°C~+125°C (INCLUDING SELF-HEATING)

**Z vs FREQUENCY  
IMPEDANCE UNDER DC BIAS**

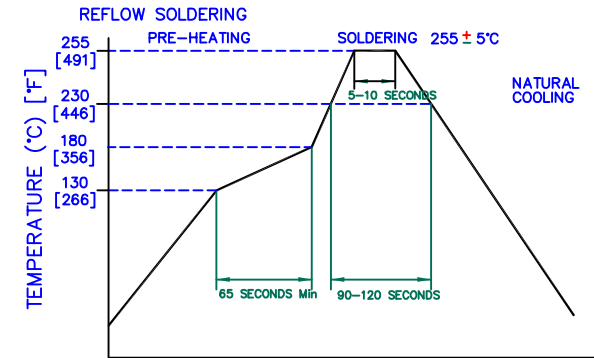


**LAND PATTERNS FOR REFLOW SOLDERING**

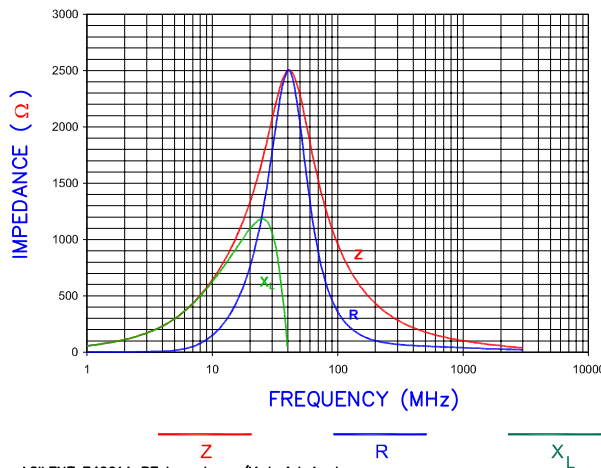


(For wave soldering, add 0.762 [.030] to this dimension)

**RECOMMENDED SOLDERING CONDITIONS**



**|Z|, R, AND X vs. FREQUENCY**



DIMENSIONS ARE IN mm [INCHES].				This print is the property of Laird Tech. and is loaned in confidence subject to return upon request and with the understanding that no copies shall be made without the written consent of Laird Tech. All rights to design or invention are reserved.					
				PROJECT/PART NUMBER: HZ1206C202R-10					
				REV: C		PART TYPE: CO-FIRE		DRAWN BY: TMB	
C ADD OPERATING TEMPERATURE UPDATE LAIRD LOGO AND REFLOW CURVE 08/05/13 QU				DATE: 04/03/04		SCALE: NTS		SHEET: 2 of 2	
B UPDATE COMPANY LOGO ADD ROHS 03/24/08 JRK				DATE: 04/03/04		SCALE: NTS		SHEET: 2 of 2	
A ORIGINAL DRAFT 04/03/04 TMB				DATE: 04/03/04		SCALE: NTS		SHEET: 2 of 2	
REV DESCRIPTION DATE INT				GAD # HZ1206C202R-10-C		TOOL # -		SHEET: 2 of 2	