

5

4

3

2

1

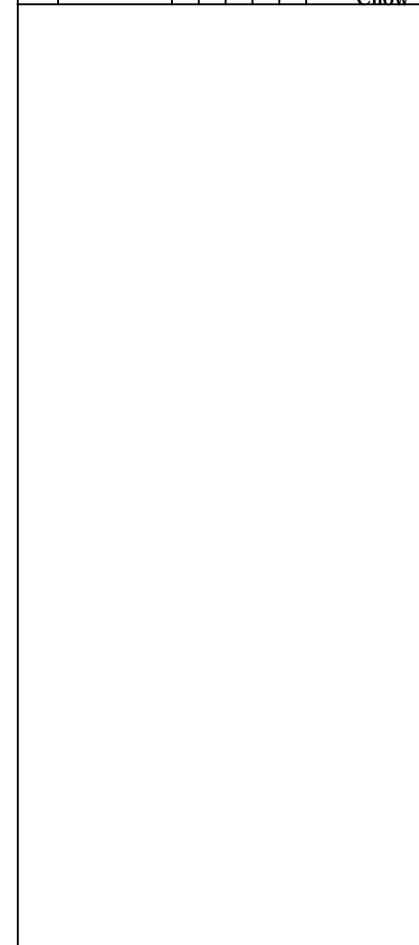
受控 CONTROLLED DOCUMENT

编号 P/N	25-7140-CUST	版本 Rev	01	日期 Rel'd Date	Apr29,09
-----------	--------------	-----------	----	------------------	----------

DRAWING NO. <b>25-7140-CUST</b>				
REVISIONS				
01	OFFICIAL RELEASE			
	03-10-09	Y	U	TH



Description: F Female To Push On Male  
 Part No: 25-7140  
 Application: Adapter  
 Crimp Tool: N/A  
 Impedance: 75 Ohms  
 Frequency Range: 0-750 MHz  
 Material: Body Brass Nickel plated  
 Contact Brass Nickel plated  
 Insulator Delin  
 Spring Steel Nickel plated  
 RoHS Compliance: Yes  
 Technical Detail: Refer to Emerson Document P/N 25-0000



CUSTOMER COPY



TITLE F FEMALE TO PUSH ON MALE

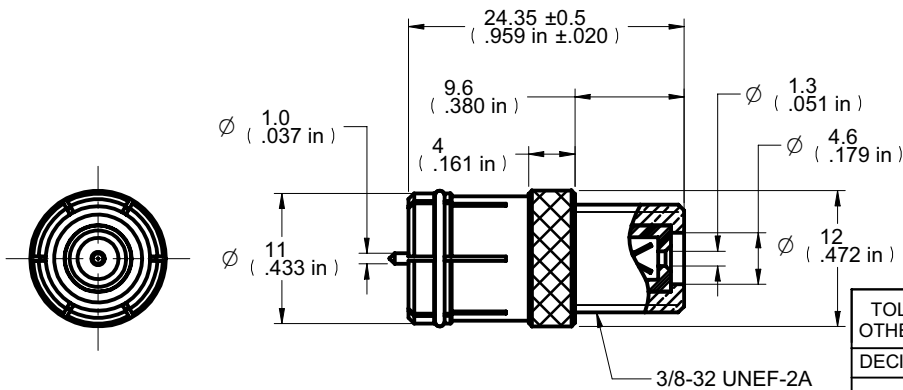
TOLERANCE UNLESS OTHERWISE SPECIFIED		DRAWN BY	DATE
DECIMALS	mm	BETTY.YU	03-10-09
X	± 0.5	CHECKED BY	DATE
X.X	± 0.3	BETTY.YU	03-10-09
X.XX	± 0.1	APPROVED BY	DATE
ANGLES	± 0.5°	THOMAS	03-10-09
		U/M	mm

THIS DRAWING WAS PRODUCED BY COMPUTER, DO NOT SCALE DRAWING OR UPDATE MANUALLY.

SHEET 1 OF 1

DRAWING NO. 25-7140-CUST

SIZE A



DIM OUTLINE

5

4

3

2

1