

5

4

3

2

1

DRAWING NO. 25-7300-CUST				
REVISIONS				
01	OFFICIAL RELEASE			
	08-21-09	Y U	Y U	T H <i>Betty</i>



Description: PL259 Male Solder UHF 20lbs, RG8,RG213

Part No: 25-7300

Application: For RG-8,11,213,214 Cable

Crimp Tool: N/A

Impedance: N/A

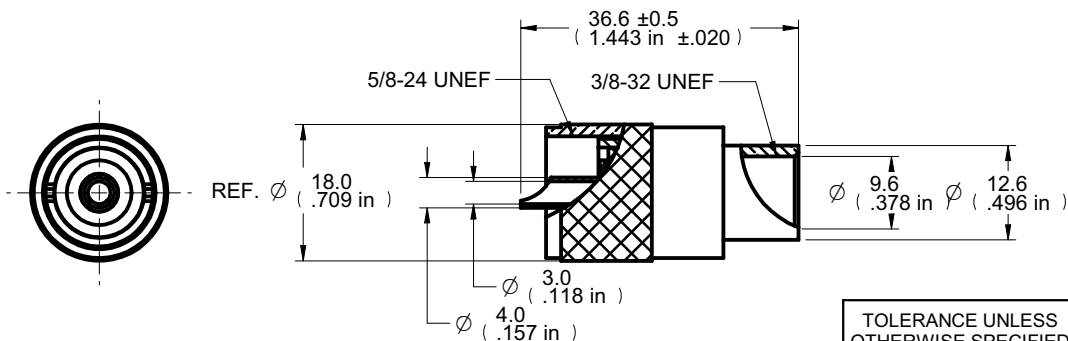
Frequency Range: 0-500 MHz

Material: Body Brass Nickel plated
Contact Brass Nickel plated
Nut Brass Nickel plated
Insulator Delrin

RoHS Compliance: Yes

Technical Detail: Refer to Emerson Document P/N 29-0000

受控 CONTROLLED DOCUMENT					
编号 P/N	25-7300-CUST	版本 Rev	01	日期 Rel'd Date	SEP 14,09



DIM OUTLINE

CUSTOMER COPY

TOLERANCE UNLESS OTHERWISE SPECIFIED		DRAWN BY BETTY.YU		DATE 08-21-09	
DECIMALS	mm	CHECKED BY BETTY.YU		DATE 08-21-09	
X	± 0.5	APPROVED BY THOMAS		DATE 08-21-09	
X.X	± 0.3	U/M		mm	
X.XX	± 0.1	U/M		mm	
ANGLES	± 0.5°				



TITLE PL259 MALE SOLDER UHF 20 LBS,RG8,RG213		
SHEET 1 OF 1	DRAWING NO. 25-7300-CUST	SIZE A

THIS DRAWING WAS PRODUCED BY COMPUTER, DO NOT SCALE DRAWING OR UPDATE MANUALLY.

5

4

3

2

1