

5

4

3

2

1

受控 CONTROLLED DOCUMENT

编号 P/N	25-7307-CUST	版本 Rev	01	日期 Rel'd Date	May8,09
-----------	--------------	-----------	----	------------------	---------

DRAWING NO.  
**25-7307 -CUST**

REVISIONS

01	OFFICIAL RELEASE				Thomas Chow
	03-10-09	T W	Y U	T H	

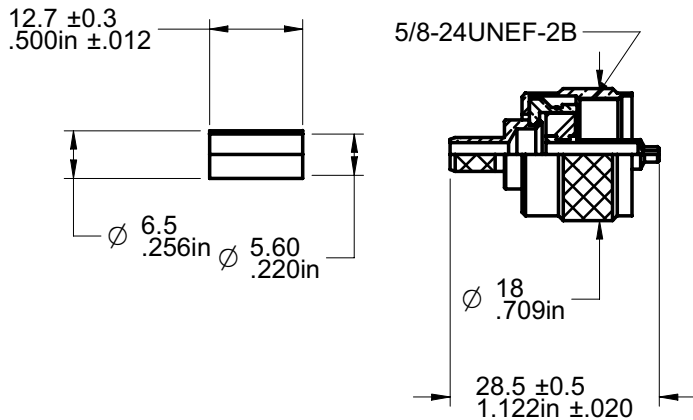
D



Description: UHF Straight Plug for RG 58  
 Part No: 25-7307  
 Application: For Cable RG 58  
 Crimp Tool: 24-9958P  
 Impedance: N/A  
 Frequency Range: 0-500 MHz  
 Material: Body Brass Nickel plated  
           Contact Brass Nickel plated  
           Insulator Delin  
           Spring Steel Nickel plated  
 RoHS Compliance: Yes  
 Technical Detail: Refer to Emerson Document P/N 29-0000

C

B



**DIM OUTLINE**

**CUSTOMER COPY**

TOLERANCE UNLESS OTHERWISE SPECIFIED		DRAWN BY <b>TERRY.W</b>	DATE 03-10-09
DECIMALS	mm	CHECKED BY <b>BETTY.YU</b>	DATE 03-10-09
X	± 0.5	APPROVED BY <b>THOMAS</b>	DATE 03-10-09
X.X	± 0.3		
X.XX	± 0.1		
ANGLES	± 0.5°	U/M	mm



TITLE  
**UHF STRAIGHT PLUG FOR  
RG 58**

SHEET 1 OF 1	DRAWING NO. <b>25-7307-CUST</b>	SIZE <b>A</b>
-----------------	------------------------------------	------------------

THIS DRAWING WAS PRODUCED BY COMPUTER,  
DO NOT SCALE DRAWING OR UPDATE MANUALLY.

A

5

4

3

2

1