



DESCRIPTION: CPAD810 SMA(F)-N(M) ADAPTER

MODEL NUMBER: 29-3840

APPLICATION: SMA(F) to N(M) ADAPTER

CRIMP TOOL: N/A

IMPEDANCE: 50 OHM

FREQUENCY RANGE: N/A

MATERIAL: BODY BRASS NICKEL PLATED

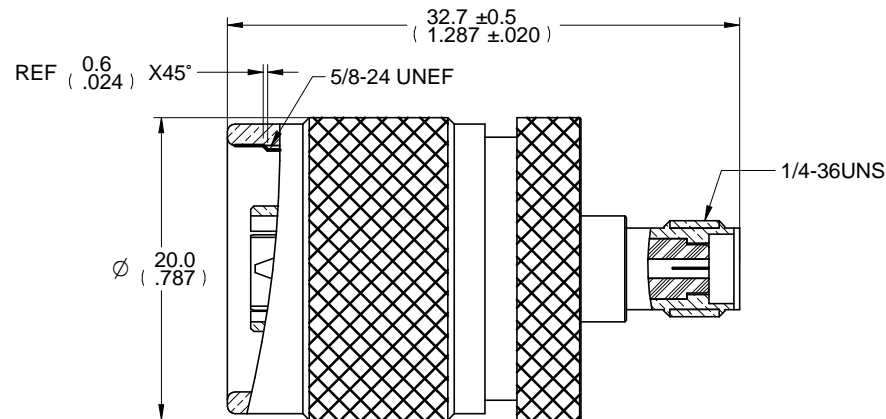
NUT BRASS NICKEL PLATED


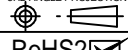
INSULATOR PTFE

CONTACT BRASS GOLD PLATED

RoHS COMPLIANCE: YES

TECHNICAL DETAIL: N END REFER TO CINCH DOCUMENT P/N 26-0000



 <small>This PROPRIETARY Document is property of Cinch Connectivity Solutions. It is confidential in nature, non-transferable, and issued with the clear understanding that it is not to be copied or reused without permission and is returnable upon demand.</small> <small>INTERPRET DRAWING IN ACCORDANCE WITH ASME Y14.5-2009.</small>	<small>3RD ANGLE PROJECTION</small> 	AIM-Cambridge	
	RoHS2 <input checked="" type="checkbox"/> 2011/65/EU	<small>Title:</small> CPAD810 SMA(F)-N(M) ADAPTER	
<small>UNLESS OTHERWISE SPECIFIED UNITS: METRIC</small> .XX ± .51 .XXX ± .127 ANGLES ± 2°	<small>Model No.</small> 29-3840		
<small>Size</small> A	<small>DO NOT SCALE DRAWING</small>	<small>Date:</small> 2016/3/7	Sheet 1 of 1