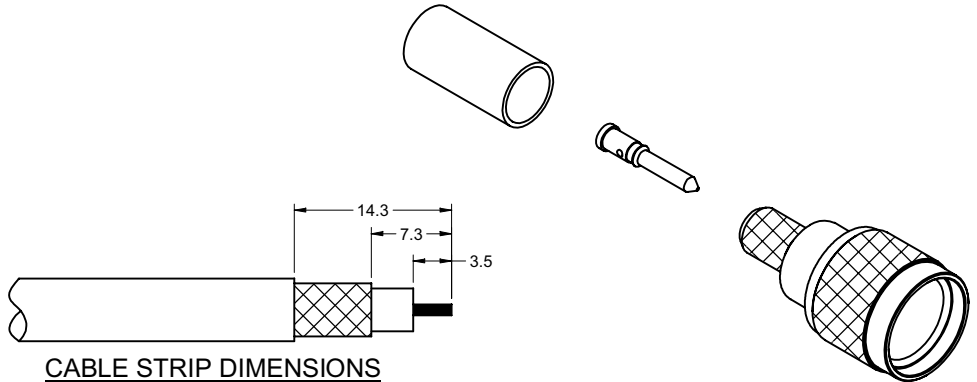
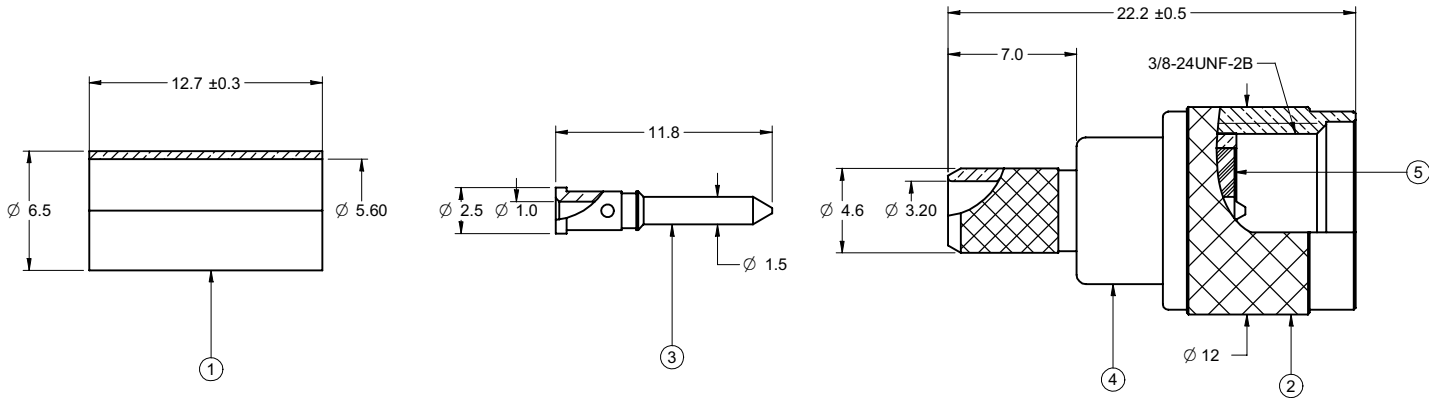


PART NUMBER	ITEM ① SLEEVE	ITEM ② NUT	ITEM ③ CONTACT	ITEM ④ BODY	ITEM ⑤ INSULATOR
29-4010	BRASS NICKEL PLATED	BRASS NICKEL PLATED	BRASS GOLD PLATED	BRASS NICKEL PLATED	DELTRIN WHITE

**受控 CONTROLLED DOCUMENT**

编号 P/N	29-4010	版本 Rev	0A	日期 Rel'd Date	Mar 24,08
-----------	---------	-----------	----	------------------	-----------

DRAWING NO. 29-4010	
REVISIONS	
RELEASE FOR QUOTATION	
A	11-09-07 Z W



**CABLE STRIP DIMENSIONS**  
ASSEMBLY INSTRUCTIONS ON SHEET 2

**NOTES:**

- ELECTRICAL SPECIFICATIONS**  
 IMPEDANCE: NON-CONSTANT  
 FREQUENCY RANGE: 0-2 GHz  
 WORKING VOLTAGE: 500 Vrms MAX AT SEA LEVEL  
 DIELECTRIC WITHSTANDING VOLTAGE: 1500 vrms AT SEA LEVEL  
 INSULATION RESISTANCE: 5000 MEGOHMS MINIMUM
- MECHANICAL SPECIFICATIONS**  
 DURABILITY: 500 CYCLES MIN  
 CABLE ACCEPTABILITY: RG58  
 THE MATERIAL OF CRIMP SLEEVE SHALL HAVE A MAXIMUM HARDNESS OF 85 VICKERS.  
 CABLE RETENTION: 20 lbs MIN
- ENVIRONMENTAL SPECIFICATIONS**  
 RECOMMENDED TEMPERATURE RANGE: -55 °C TO +85 °C
- PRODUCT SHOULD BE RoHS COMPLIANCE.**
- PACKAGING REQUIREMENT FOLLOWS ENGINEER DOCUMENT P/N 836-4020001XX**

THIS DRAWING TO BE INTERPRETED  
PER ANSI Y 14.5M - 1994

**COMPANY CONFIDENTIAL**

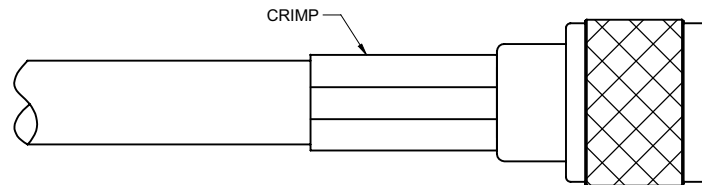
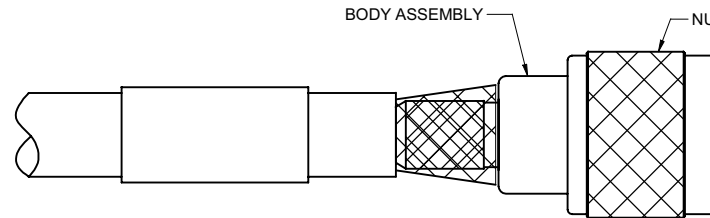
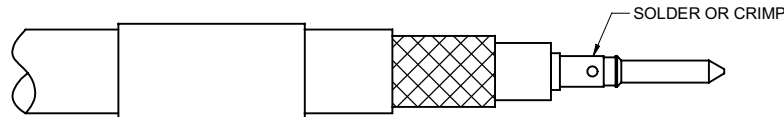
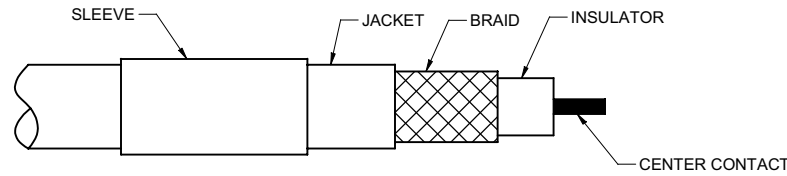
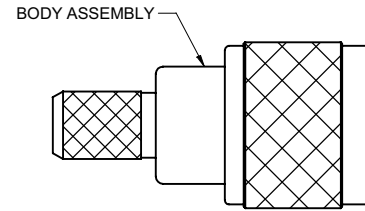
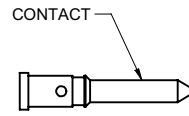
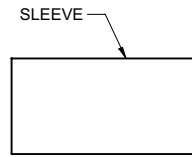
TOLERANCE UNLESS OTHERWISE SPECIFIED		DRAWN BY GARY.ZHG		DATE 11-09-07	
DECIMALS	mm	CHECKED BY LINDA.WU		DATE 11-09-07	
X	± 0.5	APPROVED BY		DATE	
X.X	± 0.2				
X.XX	± 0.1				
ANGLES	± 0.5°	U/M	mm		

TITLE MINI UHF 3 PC CRIMP *	
SHEET 1 OF 2	DRAWING NO. 29-4010
SIZE C	

THIS DRAWING WAS PRODUCED BY COMPUTER,  
DO NOT SCALE DRAWING OR UPDATE MANUALLY.

	5			4			3		2		1
PART NUMBER	CABLE TYPE	CONTACT I.D.	BODY I.D.	FERRULE I.D.	CRIMP (BRAID HEX)	CONTACT CRIMP HEX	RECOMMENDED CRIMP TOOL				
29-4010	RG-58	1.0	3.20	5.6	5.41 (.213")	1.70 (.067")	24-9958P				

DRAWING NO. 29-4010			
REVISIONS			
RELEASE FOR QUOTATION			
A	11-09-07	Z	W



**ASSEMBLY INSTRUCTIONS**

1. IDENTIFY CONNECTOR PARTS. (3 PIECE PARTS)
2. SLIDE HEAT SHRINK (AS APPLICABLE) AND CRIMP SLEEVE ONTO JACKET OF CABLE. STRIP CABLE TO DIMENSIONS SHOWN. DO NOT NICK BRAID OR CENTER CONDUCTOR. TIN CENTER CONDUCTOR IF CONTACT WILL BE SOLDER ATTACHED. DO NOT TIN CENTER CONDUCTOR IF CONTACT IS TO BE CRIMP ATTACHED. A WIRE STRIPPER OF CORRECT SIZE IS RECOMMENDED FOR THIS STEP.
3. ASSEMBLE CONTACT ONTO CABLE AS SHOWN.  
**SOLDER ATTACHMENT:** SOLDER CONTACT TO CENTER CONDUCTOR THROUGH HOLE USING A MINIMUM AMOUNT OF SOLDER FOR A GOOD JOINT.  
**CRIMP ATTACHMENT (WHERE APPLICABLE):** CRIMP CONTACT TO CENTER CONDUCTOR USING RECOMMENDED CRIMP TOOL.
4. SLIDE COUPLING NUT ONTO THE CONNECTOR BODY.
5. FLARE BRAID AND SLIDE BODY ASSEMBLY OVER CONTACT AND UNDER BRAID AS SHOWN. THEN SEAT BODY ASSEMBLY FIRMLY ONTO CONTACT UNTIL A GENTLE SNAP IS FELT INDICATING THE CONTACT IS IN PLACE. THE CABLE MAY HAVE TO BE HELD IN A CLAMPING FIXTURE. ARRANGE BRAID UNIFORMLY AROUND CRIMP STEM. SLIDE CRIMP SLEEVE FORWARD AND CRIMP USING RECOMMENDED CRIMP TOOL. SLIDE HEAT SHRINK FORWARD AND SHRINK (AS APPLICABLE).

THIS DRAWING TO BE INTERPRETED PER ANSI Y 14.5M - 1994

**COMPANY CONFIDENTIAL**



TITLE  
MINI UHF 3 PC CRIMP \*

TOLERANCE UNLESS OTHERWISE SPECIFIED		DRAWN BY GARY.ZHG	DATE 11-09-07
DECIMALS	mm	CHECKED BY LINDA.WU	DATE 11-09-07
X	± 0.5	APPROVED BY	DATE
X.X	± 0.2		
X.XX	± 0.1		
ANGLES	± 0.5°	U/M	mm

THIS DRAWING WAS PRODUCED BY COMPUTER, DO NOT SCALE DRAWING OR UPDATE MANUALLY.

SHEET 2 OF 2	DRAWING NO. 29-4010	SIZE C
-----------------	------------------------	-----------

<b>受控 CONTROLLED DOCUMENT</b>			
编号 P/N	29-4010	版本 Rev	0A
日期 Rel'd Date	Mar 24,08		