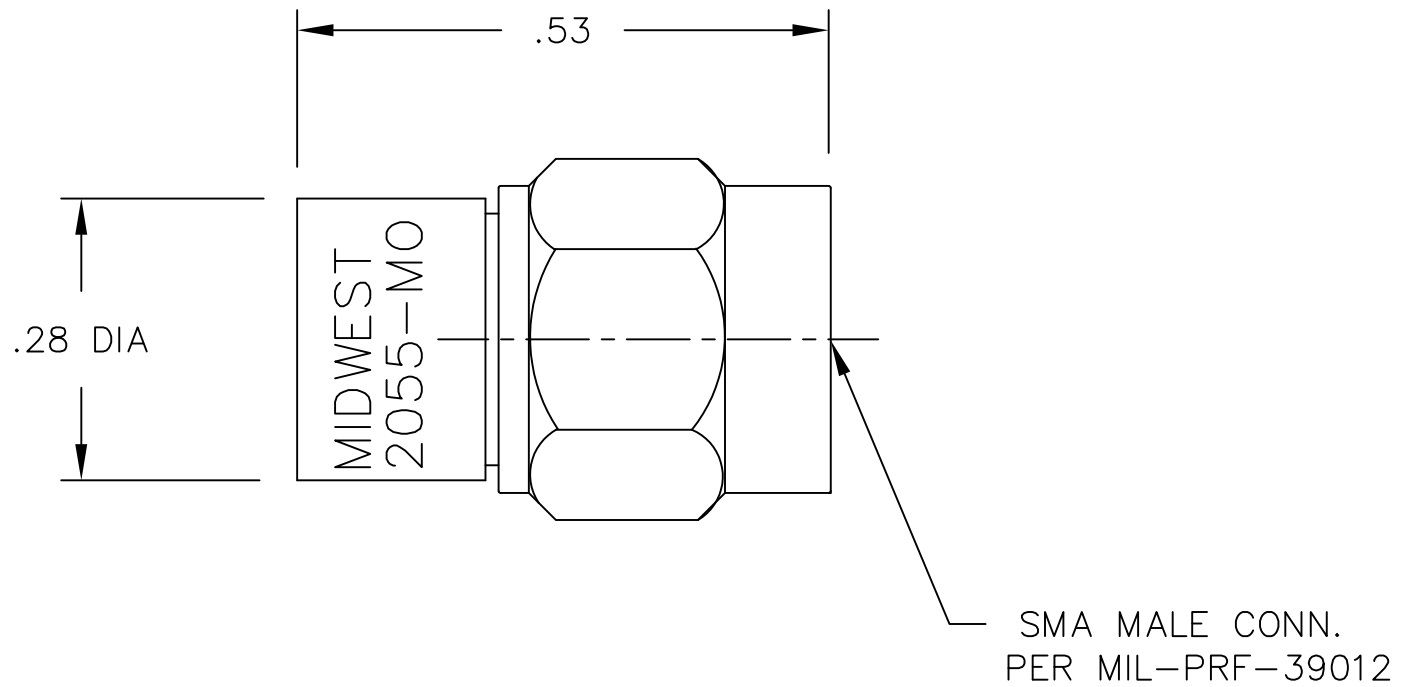


MODEL NUMBER
TRM-2055-MO-SMA-02


- NOTES:
- 1.0 ELECTRICAL SPECIFICATIONS:
 - 1.1 FREQUENCY RANGE: DC to 18.0 GHz
 - 1.2 MAXIMUM INPUT POWER: 2 WATT AVG. @ +25°C
DERATED LINEARLY TO 1 WATT @ +125°C
 - 1.3 TEMPERATURE RANGE:
 - OPERATING: -65°C to +125°C
 - STORAGE: -65°C to +125°C
 - 1.4 IMPEDANCE: 50 OHMS
 - 1.5 VSWR: 1.05 +0.008f(GHz) MAX.
 - 1.6 WEIGHT: 0.12 Oz. (3.4 GRAMS)

2.0 MARKING:
MARK UNIT AS SHOWN
(REF.: INK-02639-27-01)



DWG NO. WAS: 02361-01-00

REV.	DESCRIPTION	DATE
-	RELEASED	11/21/89
A	ECR 6545	6/29/89
B	ECR 6942	11/16/89
B1	REDRAW ON CAD	9/3/91
C	ECN 11825	5/18/92
C1	ADDED TITLEBLOCK	10/27/05

NOTICE: The information contained in this drawing is proprietary and must not be used without the permission of Cinch Connectivity Solutions. UNLESS OTHERWISE NOTED DIMENSIONS ARE IN INCHES AND TOLERANCES ARE: 3 PLACE DECIMALS ±.005 2 PLACE DECIMALS ±.02 FRACTIONS ±1/64 PARALLELITY: T.I.R. _____ FLATNESS: T.I.R. _____ CONCENTRICITY: T.I.R. _____ ANGLES AND PERPENDICULARITY: ±1°	CAGE CODE 34078	MIDWEST MICROWAVE	
		TITLE TERMINATION OUTLINE DRAWING	
DRAWN/DATE A.BEATTY 9/4/91	ENG./DATE G.KOZAK 9/5/91	DRAWING NUMBER TRM-2055-MO-SMA-02-01	REV. C1
CHECKED/DATE C.RICKARD 9/5/91	APPROVED/DATE	SCALE: 5=1	SHEET 1 of 1