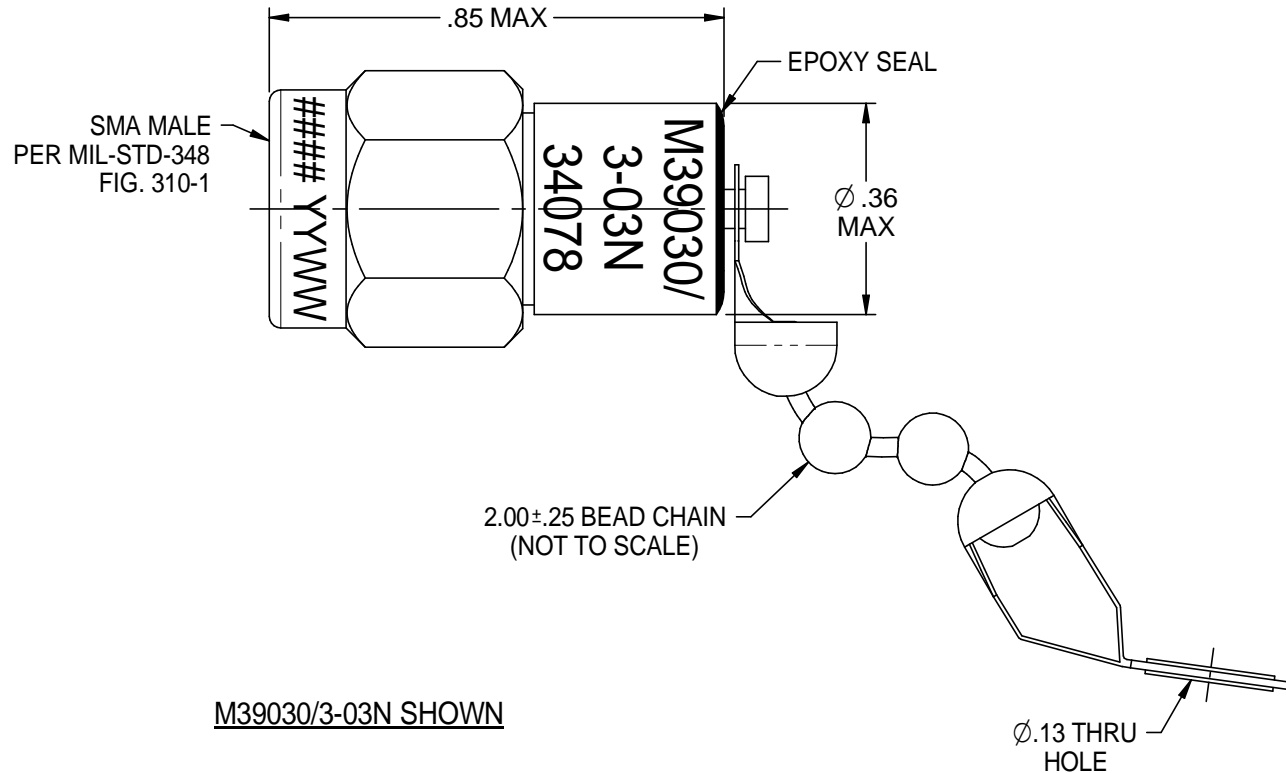
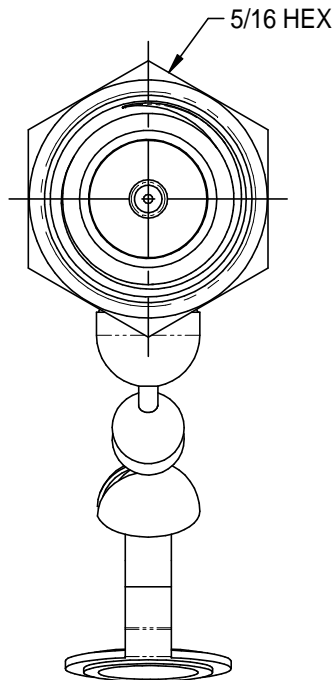
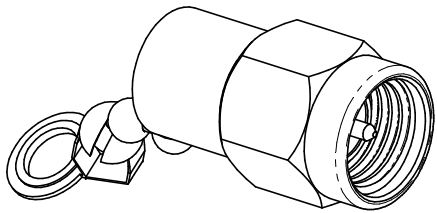


| REV | ECO | DATE |
|-----|--------|-----------|
| A1 | ADD TB | 7/7/2005 |
| D | 21966 | 3/18/2009 |
| E | 25326 | 5/1/2015 |



M39030/3-03N SHOWN

NOTES: UNLESS OTHERWISE SPECIFIED.

1. MATERIAL & FINISH:

- 1.1 BODY: GOLD PLATED STAINLESS STEEL
- 1.2 DIELECTRIC: PTFE (TEFLON)
- 1.3 CENTER CONTACT: GOLD PLATED BERYLLIUM COPPER
- 1.4 GASKET: SILICONE RUBBER
- 1.5 BEAD CHAIN: STAINLESS STEEL

2. SPECIFICATIONS:

- 2.1 FREQUENCY RANGE: DC - 18 GHz
- 2.2 IMPEDANCE: 50 OHMS
- 2.3 VSWR (MAX): 1.05+0.01f (GHz)
- 2.4 POWER HANDLING CAPABILITY:
 - 2.4.1 AVERAGE: 0.5 WATTS MAX AT 25°C DERATED LINEARLY TO 0.125 WATTS AT 125°C
 - 2.4.2 PEAK: 50 WATTS WITH A 1% DUTY CYCLE
- 2.5 OPERATING TEMPERATURE RANGE: -55°C TO 125°C
- 2.6 WEIGHT (MAX): .25 oz

| | | | | |
|--|---|--------------------------|---------------------------------------|--------------|
| <p>This PROPRIETARY Document is property of Cinch Connectivity Solutions. It is confidential in nature, non-transferable, and issued with the clear understanding that it is not to be traced or copied without permission and is returnable upon demand.</p> <p>INTERPRET DRAWING IN ACCORDANCE WITH ASME Y14.5-2009.</p> | Model No. M39030/3-03(N OR S) | MIDWEST MICROWAVE | | |
| | RoHS2 <input checked="" type="checkbox"/> 2011/65/EU | Cage Code 34078 | Title: QPL TERMINATION | |
| | UNLESS OTHERWISE SPECIFIED UNITS: INCH | 3RD ANGLE PROJECTION | Drawing No. M39030/3-03(N OR S)-01 | Rev. E |
| | .XX ±.02 .XXX ±.005 ANGLES ±2° | Drawn by: C. WALLACE | Date: 5/7/2015 | Size A |
| | | DO NOT SCALE DRAWING | Workmanship Std: NONE | Sheet 1 of 1 |