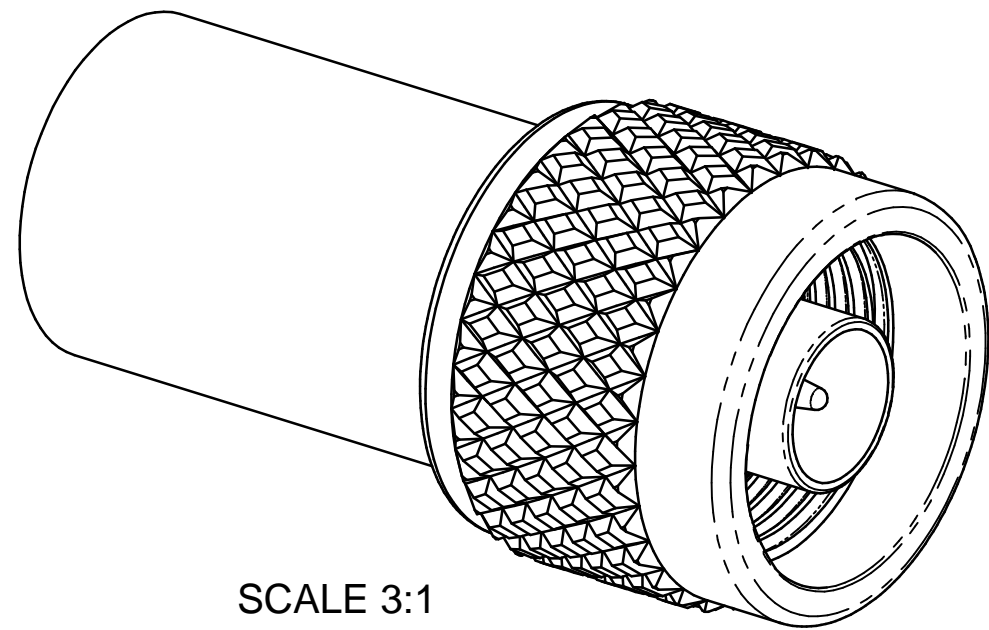
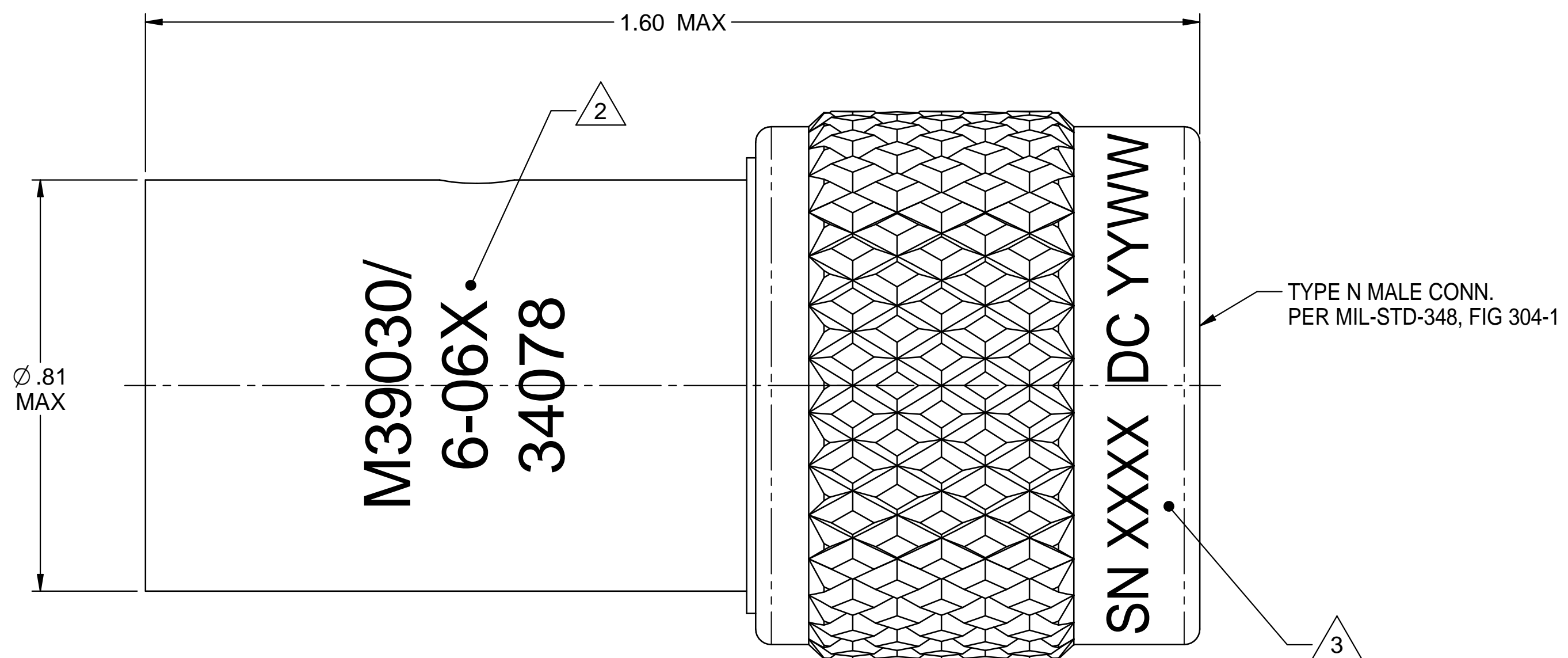


REV	ECO	DATE
K	23250	2/1/11
L	24368	10/18/12
M	25413	8/11/15



SCALE 3:1



NOTES: UNLESS OTHERWISE SPECIFIED.

1. SPECIFICATIONS:
- 1.1 FREQUENCY RANGE: DC TO 18.0 GHz
  - 1.2 VSWR: 1.05 +.007 F (GHz) MAX.
  - 1.3 POWER HANDLING: 2 WATTS AVG. DERATED TO 10% AT +125°C, 1.0 KILOWATT PEAK.
  - 1.4 OPERATING TEMP. RANGE: -55°C TO +125°C
  - 1.5 MAXIMUM WEIGHT: 3 OZ (85 GRAMS)

2. MARK UNIT AS SHOWN.

3. MARK COUPLING NUT AS SHOWN:  
 SN XXXX = 4 DIGIT SERIAL NO  
 DC YYWW = YEAR & WEEK DATE CODE

OUTLINE DRAWING

	Model No. <b>M39030/6-06(N OR S)</b>		<b>MIDWEST MICROWAVE</b>		
	Cage Code <b>34078</b>		Title <b>TERMINATION</b>		Material
<small>This PROPRIETARY Document is property of Emerson Network Power Connectivity Solutions. It is confidential in nature, non-transferable, and issued with the clear understanding that it is not traced or copied without permission and is returnable upon demand.</small>	UNLESS OTHERWISE SPECIFIED UNITS: INCHES .XX ±.01 .XXX ±.003 .XXXX ±.0010 ANGLES ±1°00'		3RD ANGLE PROJECTION - ⊕ -		Drawing No. <b>M39030/6-06(N OR S)-01</b>
	Drawn by <b>CWW</b>	Date <b>8/14/15</b>	Rev. <b>M</b>	Finish	
	Approved by <b>PAK</b>	Date <b>8/17/15</b>	Size <b>C</b>	DO NOT SCALE DRAWING	Scale 6:1