

NOTES:

1.0 ELECTRICAL SPECIFICATIONS

1.1 FREQUENCY RANGE: DC TO 18.0 GHz

1.2 MAXIMUM INPUT POWER:

2 WATTS AVG AT +25°C DERATED LINEARLY TO 0.5 WATTS AT +125°C.

1.3 OPERATING TEMPERATURE RANGE: -55°C TO +125°C

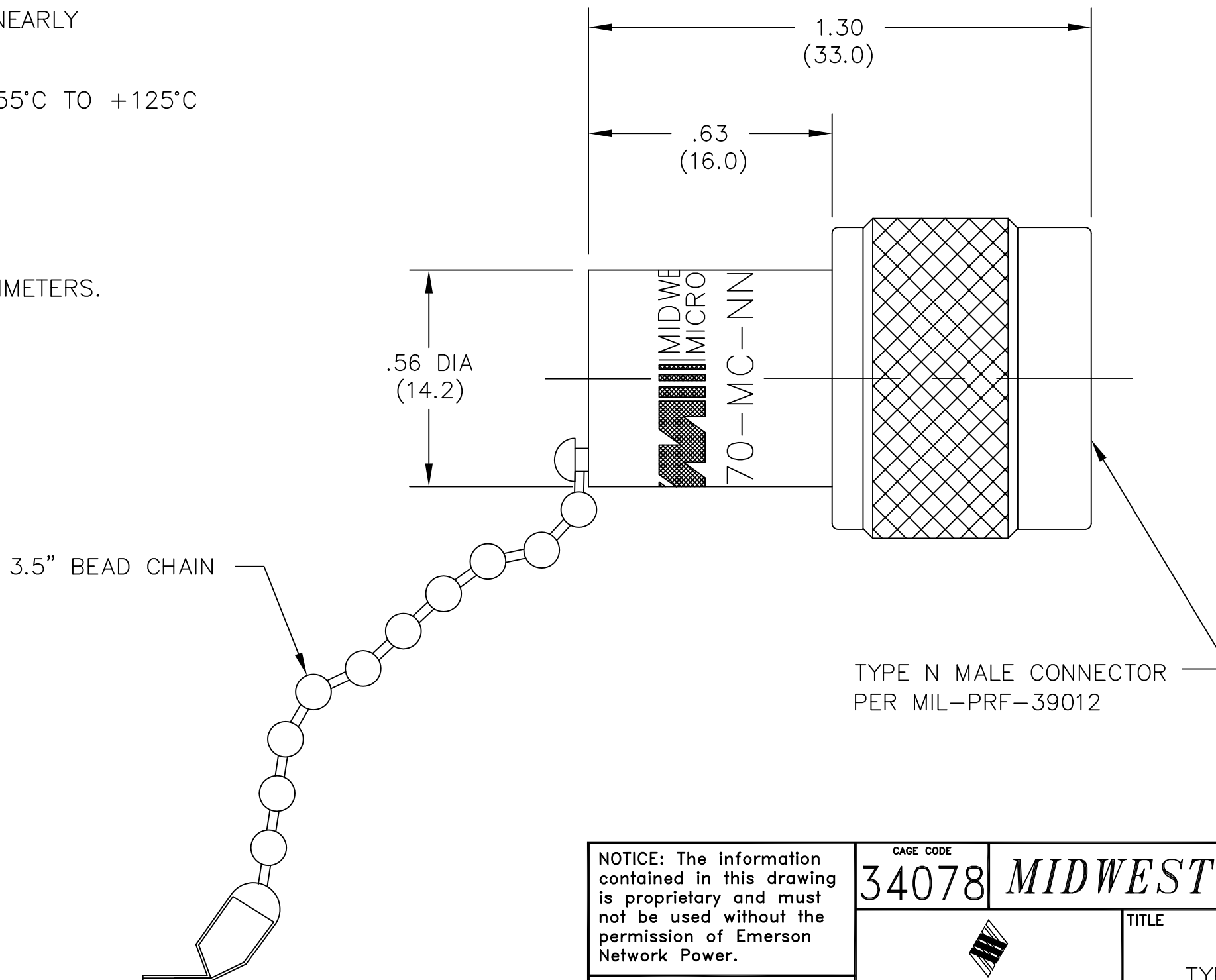
1.4 IMPEDANCE: 50 OHMS.

1.5 VSWR: 1.25:1 MAX.

2.0 MARKING

2.1 MARK UNIT AS SHOWN:

3.0 DIMENSIONS IN PARENTHESIS ARE MILLIMETERS.



DWG. WAS: 02712-01-00

NOTICE: The information contained in this drawing is proprietary and must not be used without the permission of Emerson Network Power.

UNLESS OTHERWISE NOTED DIMENSIONS ARE IN INCHES AND TOLERANCES ARE:
 3 PLACE DECIMALS ±.005
 2 PLACE DECIMALS ±.02
 FRACTIONS ±1/64
 PARALLELITY: T.I.R. _____
 FLATNESS: T.I.R. _____
 CONCENTRICITY: T.I.R. _____
 ANGLES AND PERPENDICULARITY: ±1'

CAGE CODE 34078		MIDWEST MICROWAVE	
 EMERSON Network Power Connectivity Solutions		TITLE TYPE N TERMINATION OUTLINE DRAWING	
		DRAWING NUMBER TRM-2070-MC-NNN-07-01	REV. J
DRAWN/DATE M.HOLLMAN 8/21/92	ENG./DATE G.KOZAK 9/21/92	CHECKED/DATE A.BEATTY 9/10/92	APPROVED/DATE
SCALE: 5=1		SHEET 1 of 1	

REV.	DESCRIPTION	DATE
-	RELEASED	9/21/92
A	ECR 6545	6/30/89
B	ECR 7129	2/23/90
C	ECR 10356	4/19/91
D	ECN 10759	7/10/91
E	REDRAW ON CAD	8/21/92
E1	ADDED TITLEBLOCK	10/27/05
J	ECO 23408	3/23/11