

Customer Information Sheet

DRAWING No.: R6104-XX

SHEET 2 OF 2

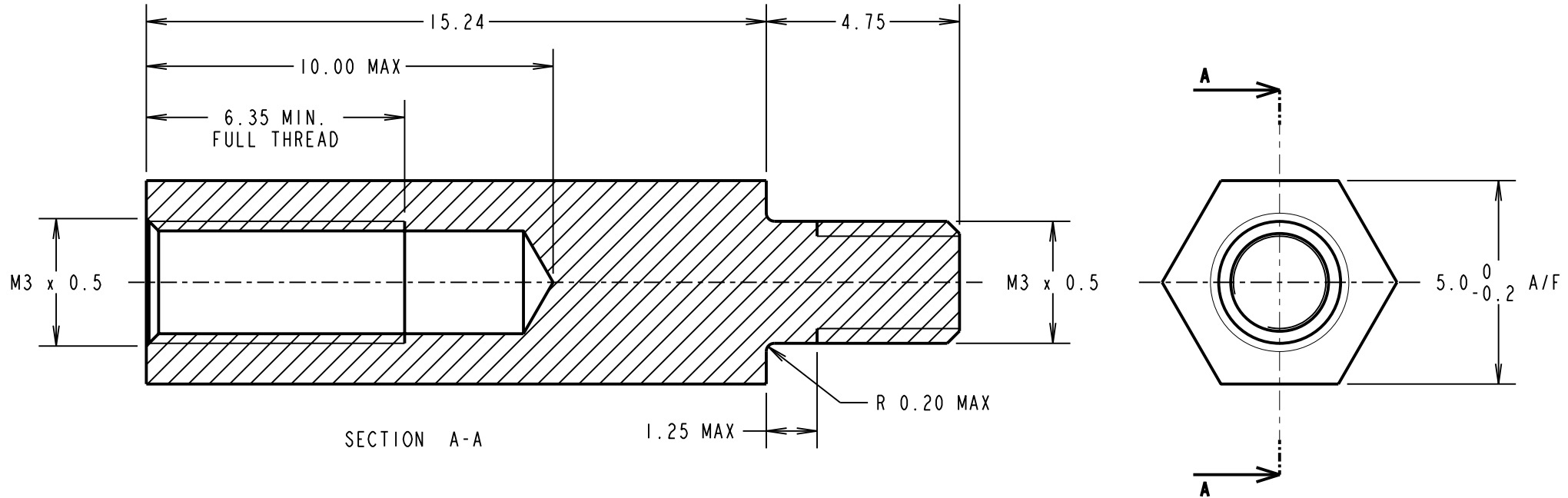
IF IN DOUBT - ASK

©

NOT TO SCALE

THIRD ANGLE PROJECTION

ALL DIMENSIONS IN mm



NOTES:

1. REMOVE ALL BURRS.
2. THREADS TO BE MANUFACTURED IN ACCORDANCE WITH BS3643 PT 2 1981.
3. THIS SPACER HAS BEEN SPECIFICALLY DESIGNED FOR USE IN PC104 APPLICATIONS.

ORDER CODE:

R6104-XX

PLATING FINISH: _____

- 00 = SELF COLOUR
- 02 = NICKEL (F0203)

CP	4	17.12.09	10614
NAME	ISS.	DATE	C/NOTE
APPROVED: C. PENROSE			
CHECKED: R. ADDE			
DRAWN: J. KEIR			
CUSTOMER REF.:			
ASSEMBLY DRG:			

HARWIN

HARWIN USA TEL: 603 893 5376 FAX: 603 893 5396 mis@harwin.com	HARWIN Europe (UK) TEL: 023 9231 4545 FAX: 023 9231 4590 mis@harwin.co.uk	HARWIN Asia TEL: +65 6 779 4909 FAX: +65 6 779 3868 mis@harwin.com.sg
--	--	--

THIS DRAWING AND ANY INFORMATION OR DESCRIPTIVE MATTER SET OUT HEREON ARE CONFIDENTIAL AND COPYRIGHT PROPERTY OF THE HARWIN GROUP AND MUST NOT BE DISCLOSED, LOANED, COPIED OR USED FOR MANUFACTURING, TENDERING OR FOR ANY OTHER PURPOSE WITHOUT THEIR WRITTEN PERMISSION.

TOLERANCES
 X. = ±1mm
 X.X = ±0.25mm
 X.XX = ±0.10mm
 X.XXX = ±0.01mm
 ANGLES = ±5°
 UNLESS STATED

MATERIAL:
 BRASS CZ121 TO BS2874 (BRM1025)
FINISH: SEE ABOVE
S/AREA: 474.7 mm²

TITLE:
 M3 HEXAGONAL MALE/FEMALE SPACER (PC104)
DRAWING NUMBER:
R6104-XX
 SHT 2 OF 2