

Customer Information Sheet

DRAWING No.: S1751-XXR

SHEET 2 OF 2

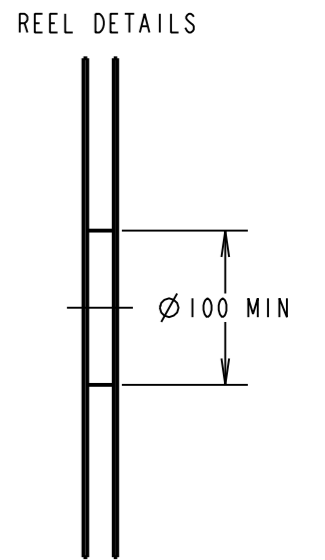
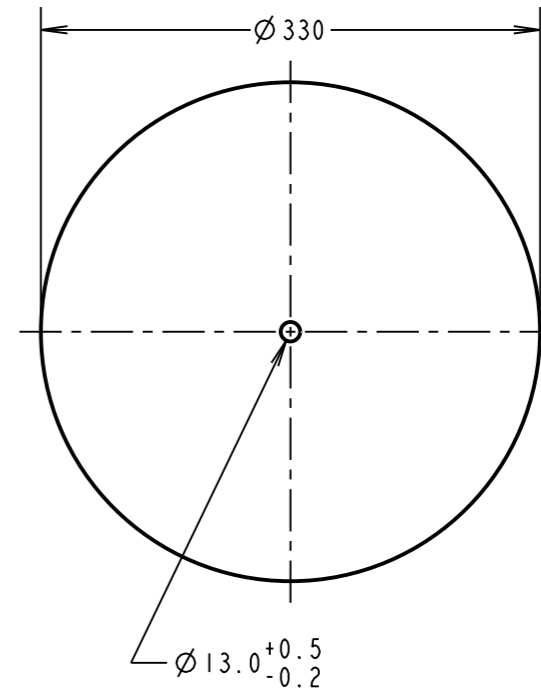
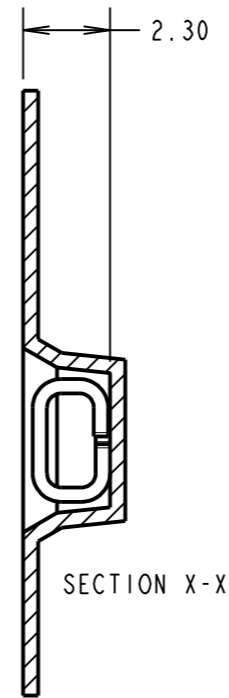
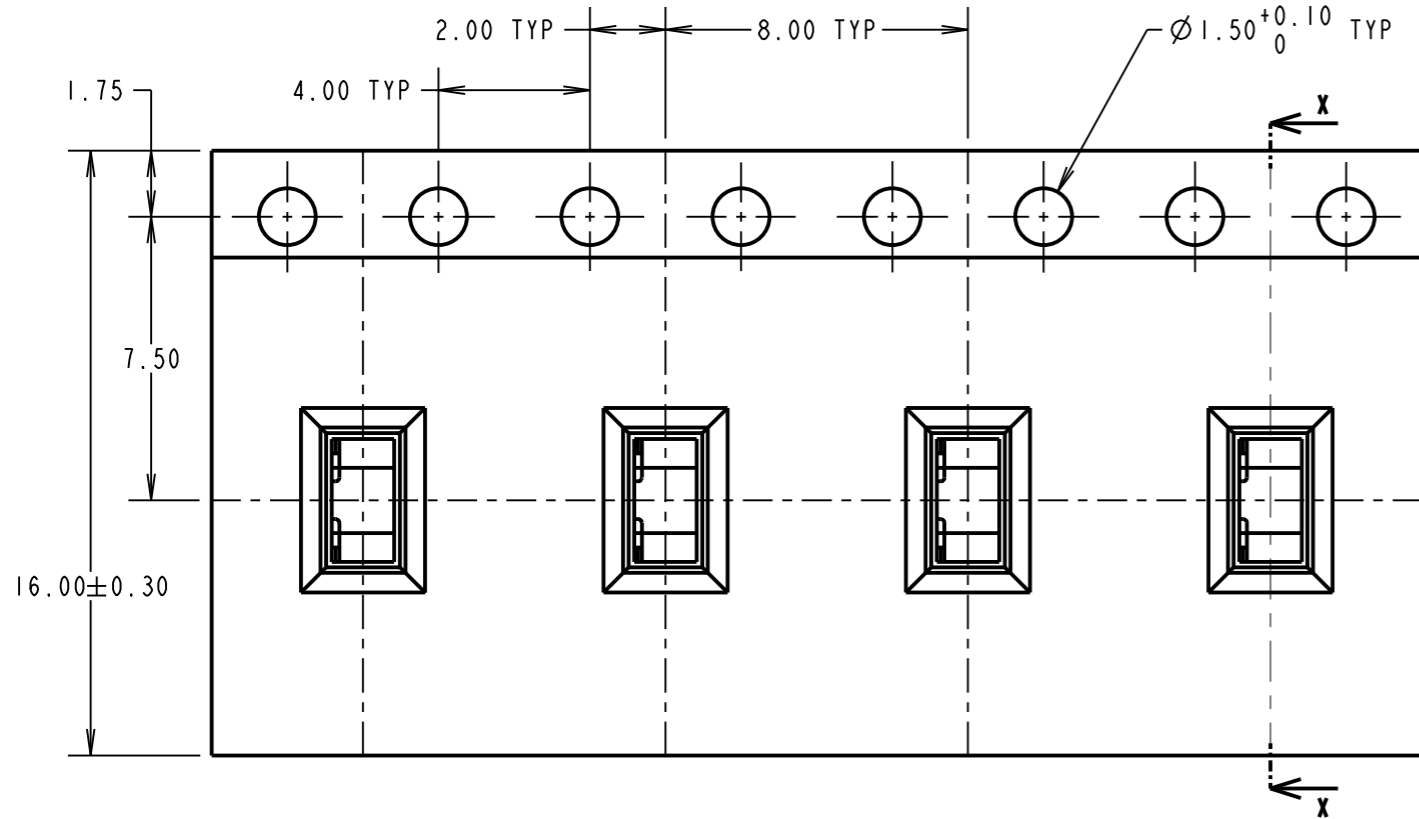
IF IN DOUBT - ASK

©

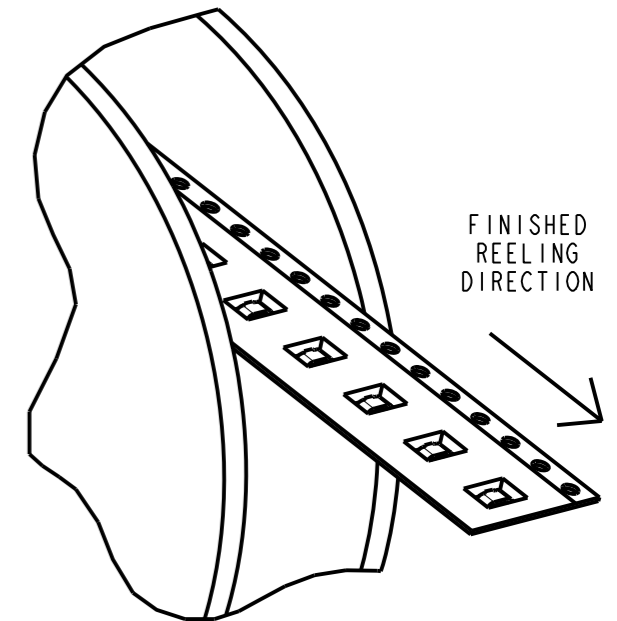
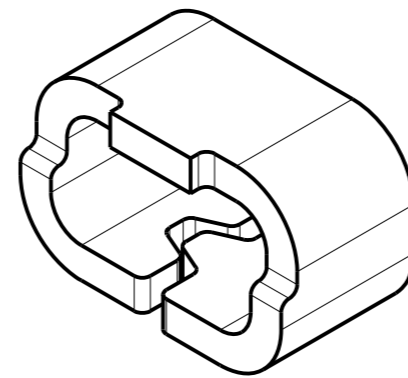
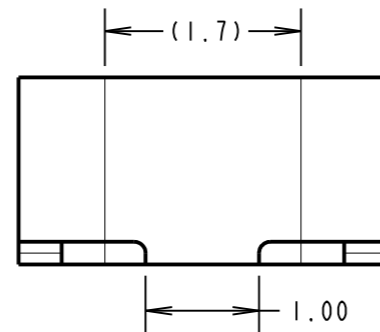
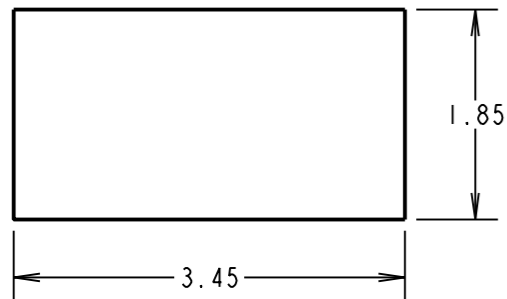
NOT TO SCALE

THIRD ANGLE PROJECTION

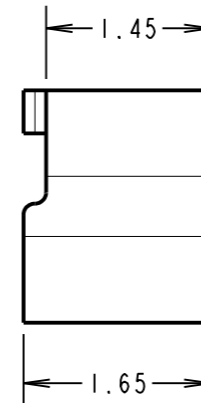
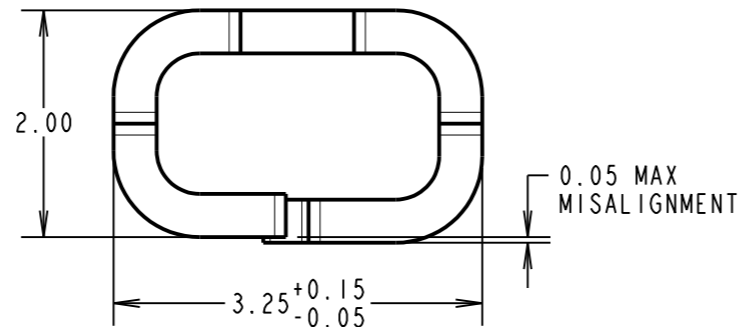
ALL DIMENSIONS IN mm



RECOMMENDED PAD LAYOUT



COMPONENT DETAILS



SPECIFICATIONS:
 MATERIAL = BRASS
 FINISH:
 06 = 4µ 90/10 TIN/LEAD
 46 = 4µ 100% TIN
 ELECTRICAL:
 CURRENT RATING = 2A MAX
 CONTACT RESISTANCE = 20mΩ MAX
 ENVIRONMENTAL:
 OPERATING TEMPERATURE = -55°C TO +125°C

MSP	8	24.10.16	20136
NAME	ISS.	DATE	C/NOTE
APPROVED: M.PERREN			
CHECKED: S.BENNETT			
DRAWN: W. J. BOURNE			
CUSTOMER REF.:			
ASSEMBLY DRG:			

ORDER CODE	FINISH
S1751-06R	TIN/LEAD
S1751-46R	100% TIN

- NOTES:
- QUANTITY PER REEL = 2,500.
 - THIS PRODUCT IS TAPED AND REELED IN ACCORDANCE WITH EIA-481-2-A (ELECTRONIC INDUSTRIES ASSOCIATION).
 - FOR LOOSE COMPONENTS, SEE S1751-XX.

HARWIN
 www.harwin.com
 technical@harwin.com

THIS DRAWING AND ANY INFORMATION OR DESCRIPTIVE MATTER SET OUT HEREON ARE CONFIDENTIAL AND COPYRIGHT PROPERTY OF THE HARWIN GROUP AND MUST NOT BE DISCLOSED, LOANED, COPIED OR USED FOR MANUFACTURING, TENDERING OR FOR ANY OTHER PURPOSE WITHOUT THEIR WRITTEN PERMISSION.

TOLERANCES
 X. = ±1mm
 X.X = ±0.25mm
 X.XX = ±0.10mm
 X.XXX = ±0.01mm
 ANGLES = ±5°
 UNLESS STATED

MATERIAL:
 SEE ABOVE
 FINISH: SEE ABOVE
 S/AREA: mm²

TITLE:
 SURFACE MOUNT TEST TERMINAL
 (TAPE AND REELED)
 DRAWING NUMBER:
S1751-XXR
 SHT 2 OF 2