

### Data Sheet



## SERCOS

SERCOS is a Serial Realtime Communication System, a standard digital interface for communication between controls and drives for numerically controlled machines. The SERCOS interface specification was written by a joint working group of the VDW (German Machine Tool Builders Association) and ZVEI (German Electrical and Electronic Manufacturer's Association) to allow data exchange between NC controls and drives via fiber optic rings, with isolation and noise immunity. The HFBR-0600Z family of fiber optic transmitters and receivers comply to the SERCOS specifications for transmitter and receiver optical characteristics and connector style (SMA).

## Description

The HFBR-0600Z components are capable of operation at symbol rates from DC to over 2 MBd and distances from 0 to over 20 meters. The HFBR-1602Z and HFBR-1604Z transmitters contain a 655 nm AlGaAs emitter capable of efficiently launching optical power into 1 mm plastic optical fiber. The optical output is specified at the end of 0.5 m of plastic optical fiber.

The HFBR-1604Z is a selected version of the HFBR-1602Z, with power specified to meet the SERCOS high attenuation specifications.

The HFBR-2602Z receiver incorporates an integrated photo IC containing a photodetector and DC amplifier driving an open-collector Schottky output transistor. The HFBR-2602Z is designed for direct interfacing to popular logic families. The absence of an internal pull-up resistor allows the open-collector output to be used with logic families, such as CMOS, requiring voltage excursions higher than  $V_{CC}$ . The HFBR-2602Z has a dynamic range of 15 dB.

## Features

- RoHS compliant
- Fully compliant to SERCOS optical specifications
- Optimized for 1 mm plastic optical fiber
- Compatible with SMA connectors
- Auto-insertable and wave solderable
- Data transmission at symbol rates from DC to over 2 MBd for distances from 0 to over 20 meters

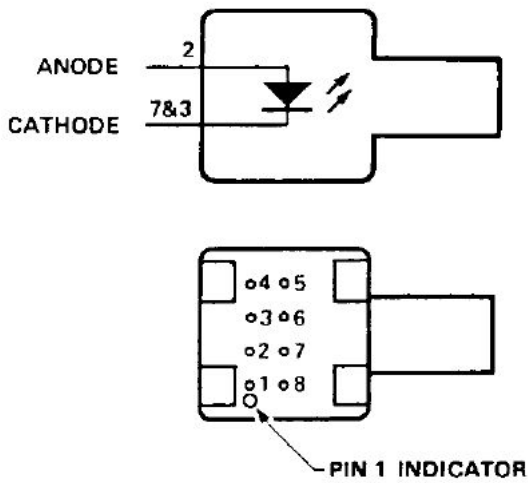
## Applications

- Industrial control data links
- Reduction of lightning and voltage transient susceptibility
- Tempest-secure data processing equipment
- Isolation in test and measurement instruments
- Robotics communication

## CAUTION

The small junction sizes inherent to the design of this component increase the component's susceptibility to damage from electrostatic discharge (ESD). It is advised that normal static precautions be taken in handling and assembly of this component to prevent damage and/or degradation that may be induced by ESD.

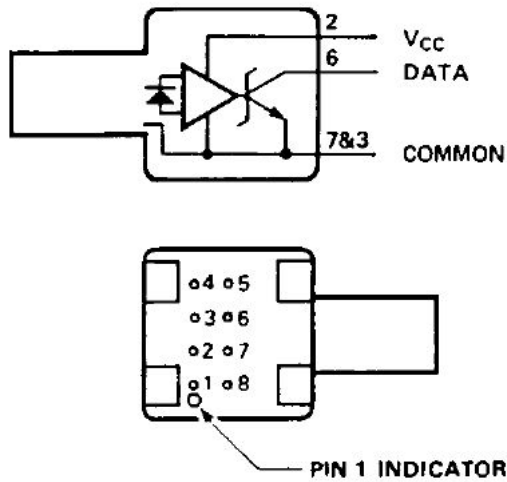
**Figure 1 HFBR-160XZ Transmitters**



Pin	Function
1 <sup>a</sup>	N.C.
2	ANODE
3 <sup>b</sup>	CATHODE
4 <sup>a</sup>	N.C.
5 <sup>a</sup>	N.C.
6	N.C.
7 <sup>b</sup>	CATHODE
8 <sup>a</sup>	N.C.

- a. Pins 1, 4, 5, and 8 are isolated from the internal circuitry, but electrically connected to one another.
- b. Pins 3 and 7 are electrically connected to the header.

**Figure 2 HFBR-2602Z Receiver**



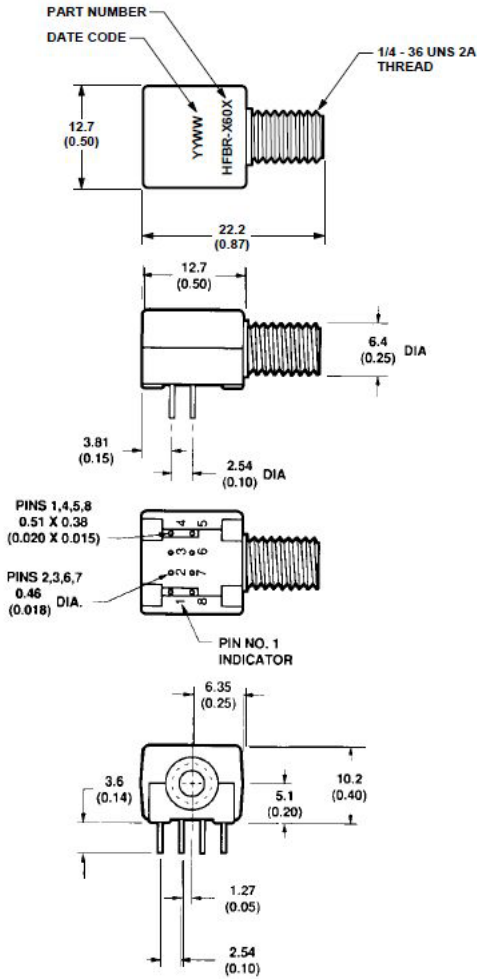
Pin	Function
1 <sup>a</sup>	N.C.
2	V <sub>CC</sub> (5V)
3	COMMON
4 <sup>a</sup>	N.C.
5 <sup>a</sup>	N.C.
6	DATA
7	COMMON
8 <sup>a</sup>	N.C.

- a. Pins 1, 4, 5, and 8 are isolated from the internal circuitry, but electrically connected to one another.

In the receiver, both the open-collector "Data" output Pin 6 and V<sub>CC</sub> Pin 2 are referenced to "Common" Pin 3 and 7. It is essential that a bypass capacitor (0.1 μF ceramic) be connected from Pin 2 (V<sub>CC</sub>) to Pin 3 (circuit common) of the receiver.

# HFBR-0600Z SMA Series

Figure 3 Mechanical Dimensions



**NOTE** All dimensions in mm (inches).

SMA is an industry standard fiber optic connector, available from many fiber optic connector suppliers. HFBR-4401Z is a kit consisting of 100 nuts and 100 washers for panel mounting the HFBR-0600Z components.

## HFBR-1602Z/1604Z Transmitters

**Table 1 Absolute Maximum Ratings**

Parameter	Symbol	Min.	Max.	Units	Reference
Storage Temperature	$T_S$	-55	85	°C	
Operating Temperature	$T_A$	-40	85	°C	
Lead Soldering Cycle	Temp.		260	°C	a
	Time		10	s	a
Forward Input Current Peak	$I_{FPK}$		120	mA	
Forward Input Current Average	$I_{Favg}$		60	mA	
Reverse Input Voltage	$V_{BR}$		-5	V	

a. 2.0 mm from where leads enter case.

**Table 2 Electrical/Optical Characteristics 0 to 55°C, unless otherwise stated**

Parameter	Symbol	Min.	Typ. <sup>a</sup>	Max.	Unit	Condition	Reference
Forward Voltage	$V_F$	1.5	1.9	2.2	V	$I_F = 35$ mA	
Forward Voltage Temp. Coefficient	$\Delta V_F/\Delta T$		-1.2		mV/°C	$I_F = 35$ mA	
Reverse Input Voltage	$V_{BR}$	-5.0	-18		V	$I_R = 100$ $\mu$ A	
Peak Emission Wavelength	$\lambda_P$	640	655	675	nm		
Full Width Half Maximum	FWHM		20	30	nm	25°C	
Diode Capacitance	$C_T$		30		pF	$V_F = 0, f = 1$ MHz	
Optical Power Temp. Coefficient	$\Delta P_T/\Delta T$		-0.01		dBm/°C	$I_F = 35$ mA	
Thermal Resistance	$\theta_{JA}$		330		°C/W		b, c
Peak Optical Output Power of HFBR-1602Z	$P_{T1602}$	-10.5		-5.5	dBm	$I_F = 35$ mA	d, e, f
Peak Optical Output Power of HFBR-1604Z	$P_{T1604}$	-7.5		-3.5	dBm	$I_F = 60$ mA	d, e, f
		-10.5		-5.5	dBm	$I_F = 35$ mA	
Rise Time (10% to 90%)	$t_r$		57		ns	$I_F = 60$ mA	
			50		ns	$I_F = 35$ mA	
Fall Time (90% to 10%)	$t_f$		40		ns	$I_F = 60$ mA	
			27		ns	$I_F = 35$ mA	

- Typical data at  $T_A = +25^\circ\text{C}$ .
- Thermal resistance is measured with the transmitter coupled to a connector assembly and fiber, and mounted on a printed circuit board.
- Pins 2, 6, and 7 are welded to the cathode header connection to minimize the thermal resistance from junction to ambient. To further reduce the thermal resistance, the cathode trace should be made as large as is consistent with good RF circuit design.
- $P_T$  is measured with a large area detector at the end of 0.5 meter of plastic optical fiber with 1 mm diameter and numerical aperture of 0.5.
- When changing  $\mu\text{W}$  to dBm, the optical power is referenced to 1 mW (1000  $\mu\text{W}$ ). Optical Power  $P(\text{dBm}) = 10 \log [P(\mu\text{W})/1000 \mu\text{W}]$ .
- Both HFBR-1602Z and HFBR-1604Z meet the SERCOS "low attenuation" specifications when operated at 35 mA; only HFBR-1604Z meets the SERCOS "high attenuation" limits when operated at 60 mA.

## HFBR-2602Z Receiver

**Table 3 Absolute Maximum Ratings**

Parameter		Symbol	Min.	Max.	Units	Reference
Storage Temperature		$T_S$	-55	85	°C	
Operating Temperature		$T_A$	-40	85	°C	
Lead Soldering Cycle	Temp.			260	°C	a
	Time			10	s	a
Supply Voltage		$V_{CC}$	-0.5	7.0	V	
Output Current		$I_O$		25	mA	
Output Voltage		$V_O$	-0.5	18.0	V	
Output Collector Power Dissipation		$P_{O\text{ AVG}}$		40	mW	
Fan Out (TTL)		N		5		b

- a. 2.0 mm from where leads enter case.  
 b. 8 mA load ( $5 \times 1.6$  mA),  $R_L = 560 \Omega$ .

**Table 4 Electrical/Optical Characteristics 0 to 55 °C; Fiber Core Diameter  $\leq 1.0$  mm, Fiber N.A.  $\leq 0.5$ ,  $4.75V \leq V_{CC} \leq 5.25V$** 

Parameter	Symbol	Min.	Typ. <sup>a</sup>	Max.	Unit	Condition	Reference
High Level Output Current	$I_{OH}$		5	250	$\mu\text{A}$	$V_{OH} = 18V$ , $P_R < -31.2$ dBm	
Low Level Output Voltage	$V_{OL}$		0.4	0.5	V	$I_{OL} = 8$ mA, $P_R > -20.0$ dBm	
High Level Supply Current	$I_{CCH}$		3.5	6.3	mA	$V_{CC} = 5.25V$ , $P_R < -31.2$ dBm	
Low Level Supply Current	$I_{CCL}$		6.2	10	mA	$V_{CC} = 5.25V$ , $P_R > -20.0$ dBm	

- a. Typical data at  $T_A = +25^\circ\text{C}$ .

**Table 5 Dynamic Characteristics 0 to 55°C unless Otherwise Specified;  $4.7V \leq V_{CC} \leq 5.25V$ ; BER  $\leq 10^{-9}$** 

Parameter	Symbol	Min.	Typ. <sup>a</sup>	Max.	Unit	Condition	Reference
Peak Input Power Level Logic HIGH	P <sub>RH</sub>			-31.2	dBm	$\lambda_p = 655 \text{ nm}$	b
Peak Input Power Level Logic LOW	P <sub>RL</sub>	-20.0		-5.0	dBm	I <sub>OL</sub> = 8 mA	b
Propagation Delay LOW to HIGH	t <sub>PLH</sub>		60		ns	P <sub>R</sub> = -20 dBm, 2 MBd	c, d
Propagation Delay HIGH to LOW	t <sub>PHL</sub>		110		ns	P <sub>R</sub> = -20 dBm, 2 MBd	c, d
Pulse Width Distortion, t <sub>PLH</sub> - t <sub>PHL</sub>	PWD		50		ns	P <sub>R</sub> = -5 dBm	e
					ns	P <sub>R</sub> = -20 dBm	Figure 9

- Typical data at T<sub>A</sub> = +25°C.
- Measured at the end of 1 mm plastic fiber optic cable with a large area detector.
- 8 mA load (5 × 1.6 mA), R<sub>L</sub> = 560 Ω.
- Propagation delay through the system is the result of several sequentially occurring phenomena. Consequently it is a combination of data-rate-limiting effects and of transmission-time effects. Because of this, the data-rate limit of the system must be described in terms of time differentials between delays imposed on falling and rising edges. As the cable length is increased, the propagation delays increase. Data-rate, as limited by pulse width distortion, is not affected by increasing cable length if the optical power level at the receiver is maintained.
- Pulse width distortion is the difference between the delay of the rising and falling edges.

Figure 4 Forward Voltage and Current Characteristics

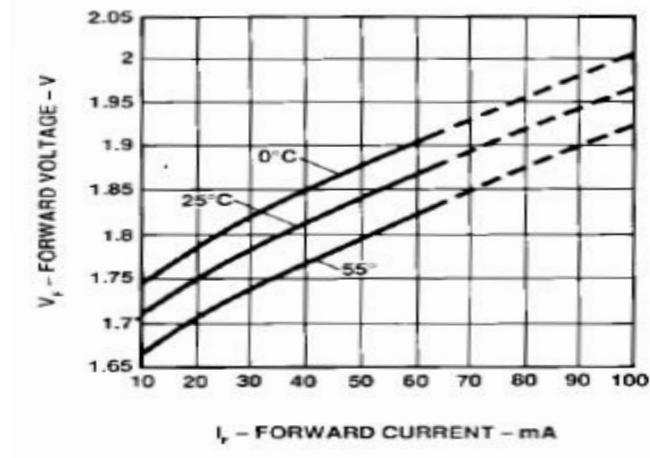


Figure 5 Typical Transmitter Output vs. Forward Current

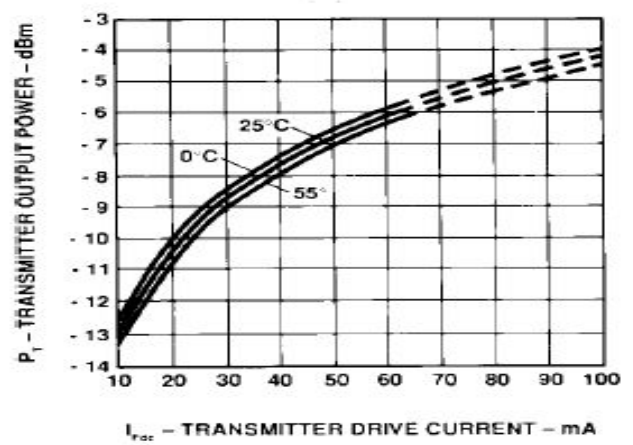


Figure 6 Transmitter Spectrum Normalized to the Peak at 25°C

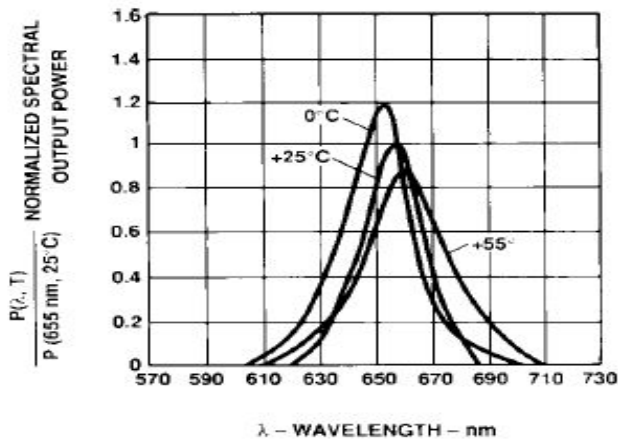


Figure 7 Typical Propagation Delay through System with 0.5m of Cable

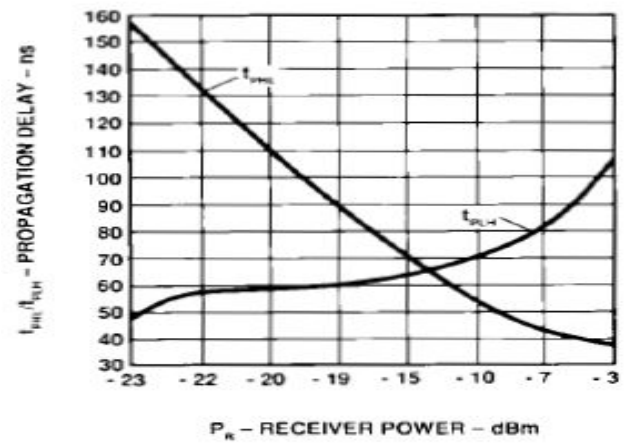


Figure 8 Typical HFBR-160XZ/2602Z Link Pulsewidth Distortion vs. Optical Power

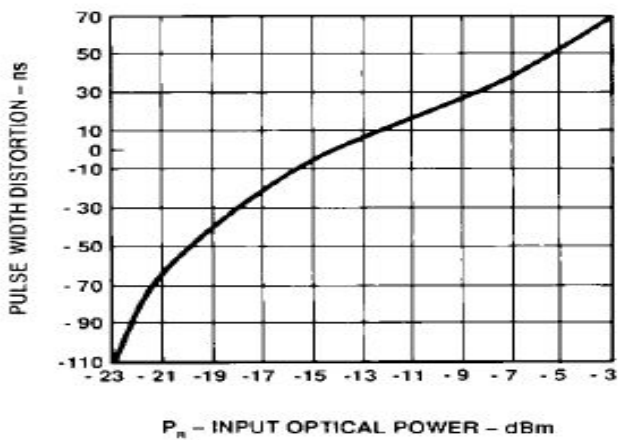
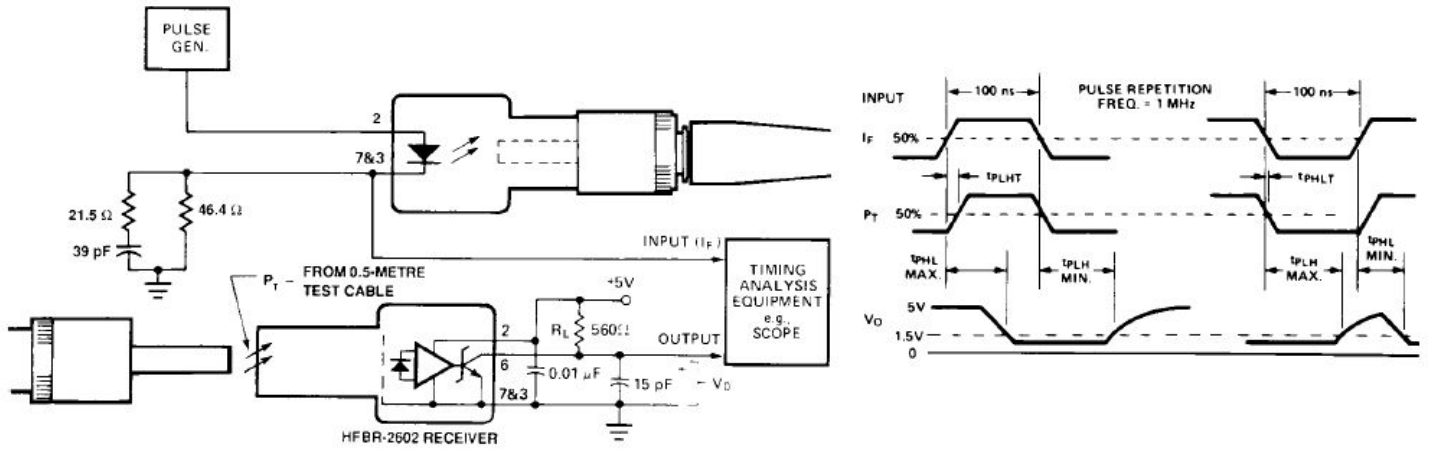


Figure 9 System Propagation Delay Test Circuit and Waveform Timing Definitions





---

For product information and a complete list of distributors, please go to our web site: [www.broadcom.com](http://www.broadcom.com).

Broadcom, the pulse logo, Connecting everything, Avago Technologies, Avago, and the A logo are among the trademarks of Broadcom and/or its affiliates in the United States, certain other countries and/or the EU.

Copyright © 2012–2016 by Broadcom. All Rights Reserved.

The term "Broadcom" refers to Broadcom Limited and/or its subsidiaries. For more information, please visit [www.broadcom.com](http://www.broadcom.com).

Broadcom reserves the right to make changes without further notice to any products or data herein to improve reliability, function, or design.

Information furnished by Broadcom is believed to be accurate and reliable. However, Broadcom does not assume any liability arising out of the application or use of this information, nor the application or use of any product or circuit described herein, neither does it convey any license under its patent rights nor the rights of others.

AV02-3638EN – December 2, 2016

