

POSITIONS/ CONTACTS	A		B		C	
	INCH	MM	INCH	MM	INCH	MM
02/04	0.100	2.54	0.220	5.58	N/A	N/A
03/06	0.200	5.08	0.320	8.12	0.100	2.54
04/08	0.300	7.62	0.420	10.66	0.200	5.08
05/10	0.400	10.16	0.520	13.20	0.300	7.62
06/12	0.500	12.70	0.620	15.74	0.400	10.16
07/14	0.600	15.24	0.720	18.28	0.500	12.70
08/16	0.700	17.78	0.820	20.82	0.600	15.24
09/18	0.800	20.32	0.920	23.36	0.700	17.78
10/20	0.900	22.86	1.020	25.90	0.800	20.32
11/22	1.000	25.40	1.120	28.44	0.900	22.86
12/24	1.100	27.94	1.220	30.98	1.000	25.40
13/26	1.200	30.48	1.320	33.52	1.100	27.94
14/28	1.300	33.02	1.420	36.06	1.200	30.48
15/30	1.400	35.56	1.520	38.60	1.300	33.02
16/32	1.500	38.10	1.620	41.14	1.400	35.56
17/34	1.600	40.64	1.720	43.68	1.500	38.10
18/36	1.700	43.18	1.820	46.22	1.600	40.64
19/38	1.800	45.72	1.920	48.76	1.700	43.18
20/40	1.900	48.26	2.020	51.30	1.800	45.72
21/42	2.000	50.80	2.120	53.84	1.900	48.26
22/44	2.100	53.34	2.220	56.38	2.000	50.80
23/46	2.200	55.88	2.320	58.92	2.100	53.34
24/48	2.300	58.42	2.420	61.46	2.200	55.88
25/50	2.400	60.96	2.520	64.00	2.300	58.42
26/52	2.500	63.50	2.620	66.54	2.400	60.96
27/54	2.600	66.04	2.720	69.08	2.500	63.50
28/56	2.700	68.58	2.820	71.62	2.600	66.04
29/58	2.800	71.12	2.920	74.16	2.700	68.58
30/60	2.900	73.66	3.020	76.70	2.800	71.12
31/62	3.000	76.20	3.120	79.24	2.900	73.66
32/64	3.100	78.74	3.220	81.78	3.000	76.20
33/66	3.200	81.28	3.320	84.32	3.100	78.74
34/68	3.300	83.82	3.420	86.86	3.200	81.28
35/70	3.400	86.36	3.520	89.40	3.300	83.82
36/72	3.500	88.90	3.620	91.94	3.400	86.36
37/74	3.600	91.44	3.720	94.48	3.500	88.90
38/76	3.700	93.98	3.820	97.02	3.600	91.44
39/78	3.800	96.52	3.920	99.56	3.700	93.98
40/80	3.900	99.06	4.020	102.10	3.800	96.52

**PART NUMBER CODING**

xPxCxx2KFMx-RC

**TERMINATION TYPES**

P = SURFACE MOUNT W/ GUIDE POSTS  
S = SURFACE MOUNT W/O GUIDE POSTS

**NUMBER OF POSITIONS**  
(CONTACTS PER ROW, 02 THRU 40)

**PLATING**

(.000030" ~ .000050" NICKEL UNDERPLATED)  
P = GOLD FLASH OVERALL  
G = .000010" GOLD ON CONTACT SURFACE,  
GOLD FLASH ON TERMINATION  
Y = .000030" GOLD ON CONTACT SURFACE,  
GOLD FLASH ON TERMINATION

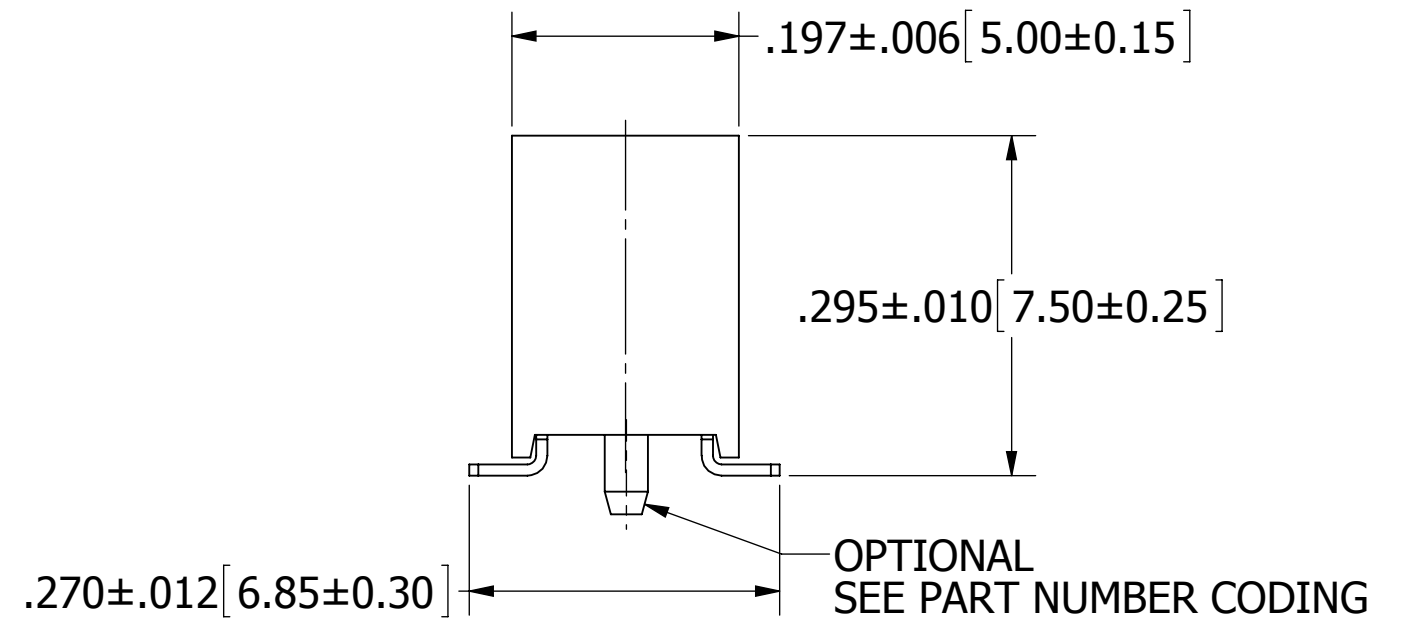
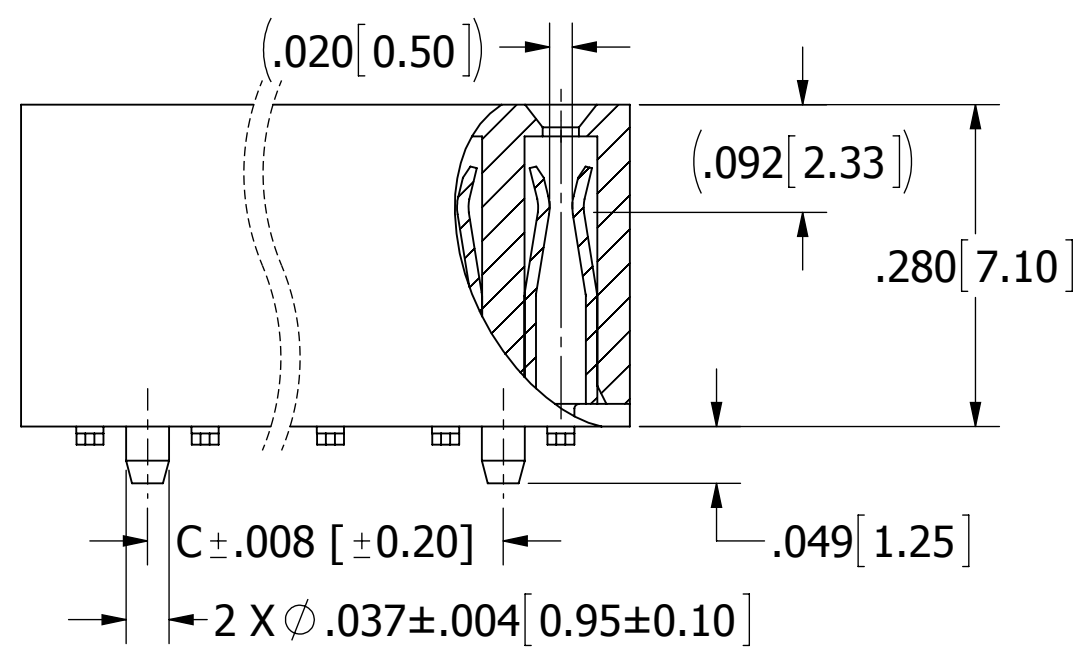
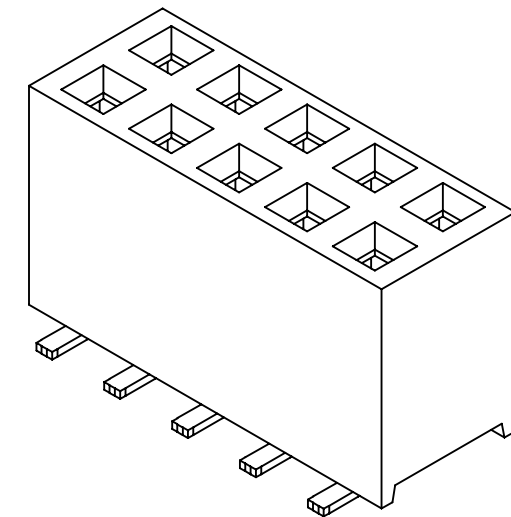
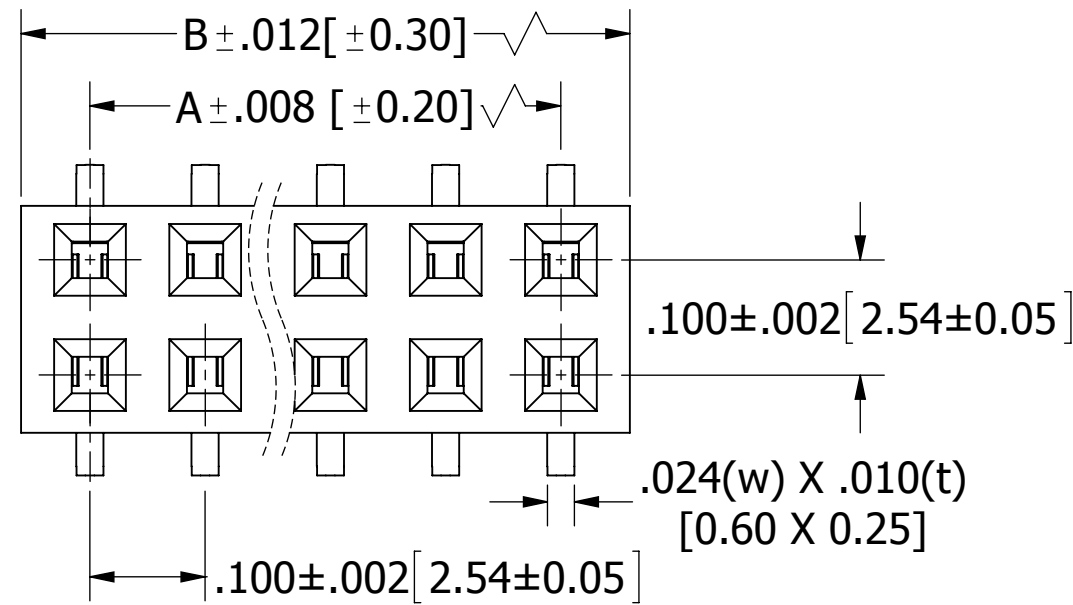
**TIN OVERALL**

C = .000030" GOLD ON CONTACT SURFACE,  
.000100" TIN ON TERMINATION  
B = .000010" GOLD ON CONTACT SURFACE,  
.000100" TIN ON TERMINATION

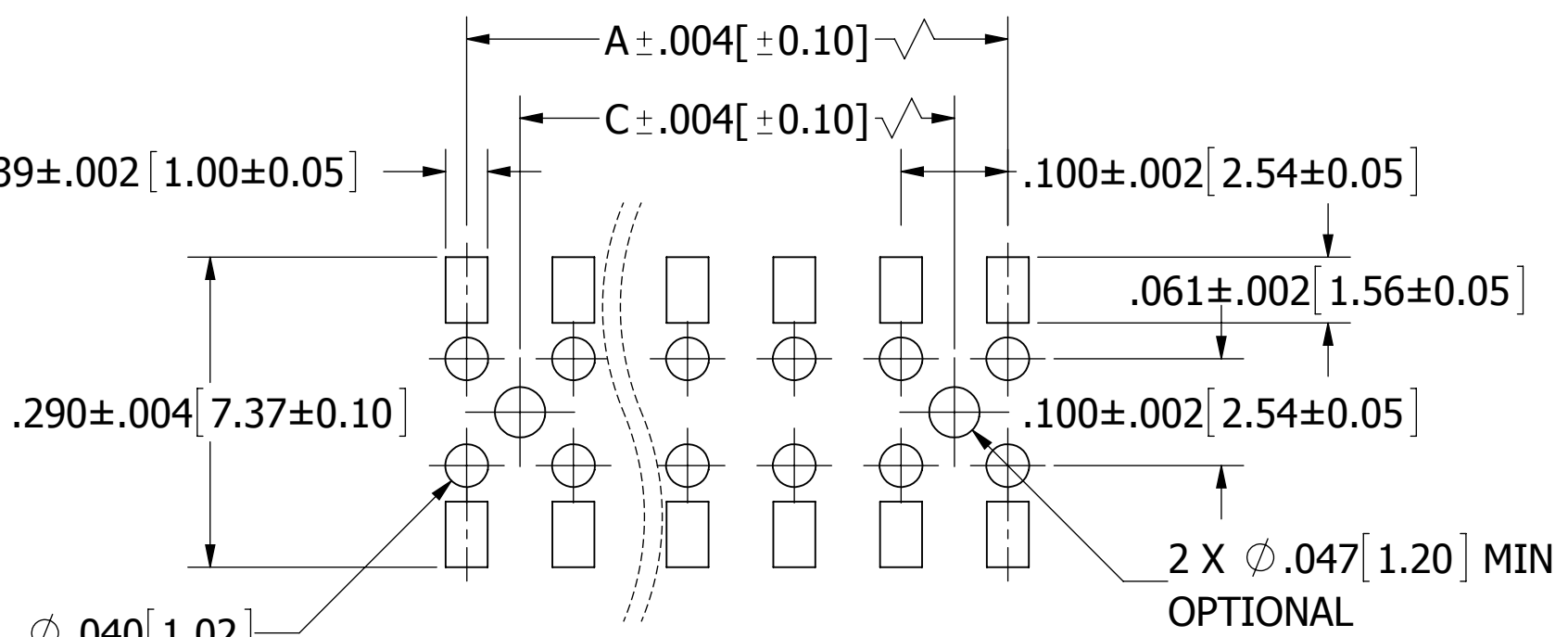
**INSULATOR MATERIAL**

N = NYLON 6T  
OPERATING TEMPERATURE: -40°C TO +105°C  
PROCESSING TEMP: WAVE / MANUAL SOLDERING  
L = LCP  
OPERATING TEMPERATURE: -40°C TO +125°C  
PROCESSING TEMP: 260°C MAX FOR 10 SECONDS

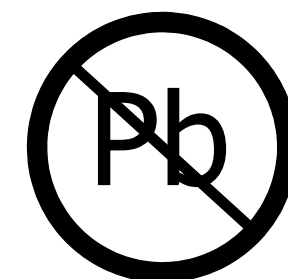
REVISIONS				
REV.	ECO. NO	DESCRIPTION	DATE	BY
J	2604	ADD PLATING "B", UPDATE INSULATOR HEIGHT 7.1mm(WAS 7.2mm), GUIDE POST TOLERANCE & PCB LAYOUT RECOMMENDED	06/06/2012	LH
K	2818	UPDATE PCB LAYOUT(TOP/BOTTOM ENTRY)	09/03/2013	LH
L	2829	ADD INSULATOR MATERIAL 'LCP' OPTION	12/10/2014	LH



02-20, 0.20mm MAX.  
21-30, 0.30mm MAX.  
31-40, 0.40mm MAX.



- NOTES:**
- INSULATOR MATERIAL: SEE PART NUMBER CODING, UL 94V-0
  - CONTACT MATERIAL: PHOSPHOR BRONZE
  - CONTACT PLATING: SEE PART NUMBER CODING
  - CURRENT RATING: 3 AMPS
  - VOLTAGE RATING: 250V AC/DC
  - INSULATOR RESISTANCE: 5000 MEGOHMS MIN
  - CONTACT RESISTANCE: 20 MILLIOHMS MAX
  - DIELECTRIC WITHSTANDING: 500 VAC
  - OPERATING TEMPERATURE: SEE PART NUMBER CODING
  - PROCESSING TEMP.: SEE PART NUMBER CODING
  - MATES WITH SULLINS .100 [2.54] CONTACT CENTER MALE HEADER SERIES (.025 [0.64] SQUARE POSTS)



RoHS COMPLIANT

UNLESS OTHERWISE SPECIFIED: DIMENSIONS ARE IN INCHES [MM]	DRAWN	DATE	NAME	
		12/04/2008	JH	
TOLERANCES: ANGULAR: $\pm 5^\circ$	<small>THE INFORMATION HEREIN CONTAINS PROPRIETARY INFORMATION OF SULLINS ELECTRONICS AND IS NOT TO BE REPRODUCED, USED OR DISCLOSED TO OTHERS FOR ANY PURPOSE EXCEPT AS SPECIFICALLY AUTHORIZED IN WRITING BY AN OFFICER OF SULLINS ELECTRONICS.</small>			
	<b>TITLE</b> <b>HEADER FEMALE, 2.54mm CC, 2 ROWS, SMT</b> <b>PART NUMBER</b> <b>xPxCxx2KFMx-RC</b>			
DECIMALS .X = $\pm .012 [ .3 ]$ .XX = $\pm .008 [ .20 ]$ .XXX = $\pm .006 [ .15 ]$	SIZE	CAGE CODE	DWG. NO.	REV
	C	54453	10488	L
	SCALE: 12:1	SHEET 1 OF 1		